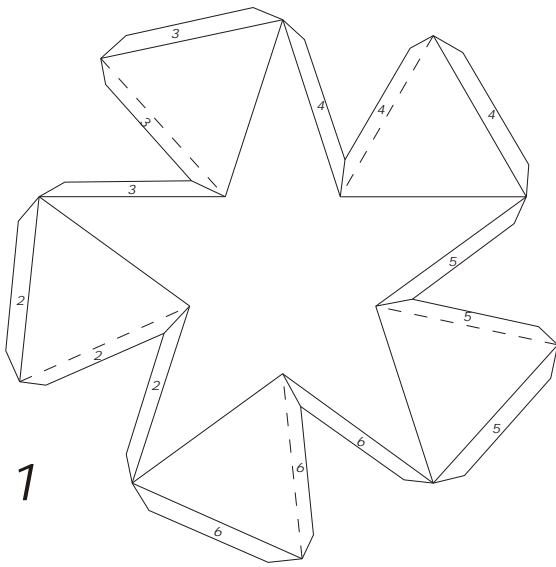
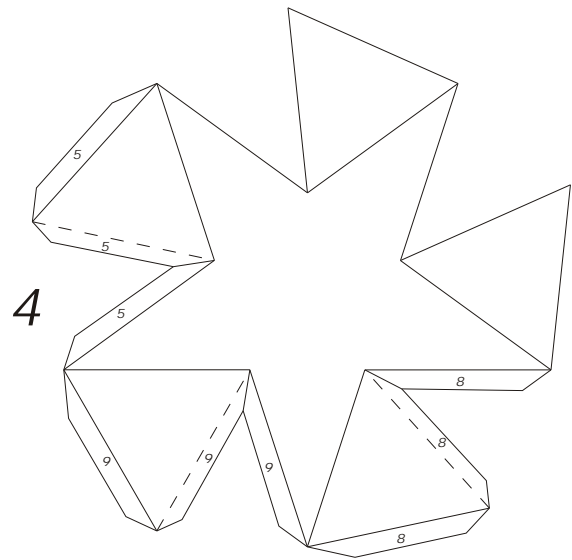


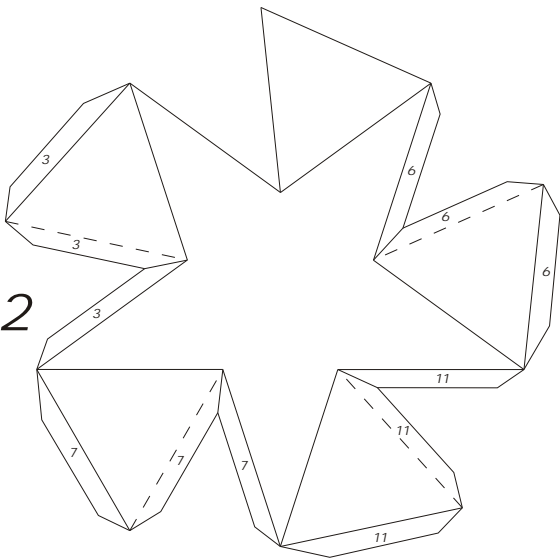
Small Ditrigonal Icosidodecahedron



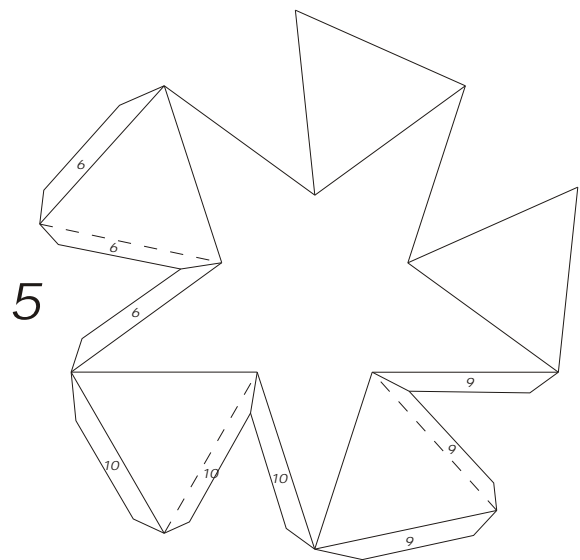
1



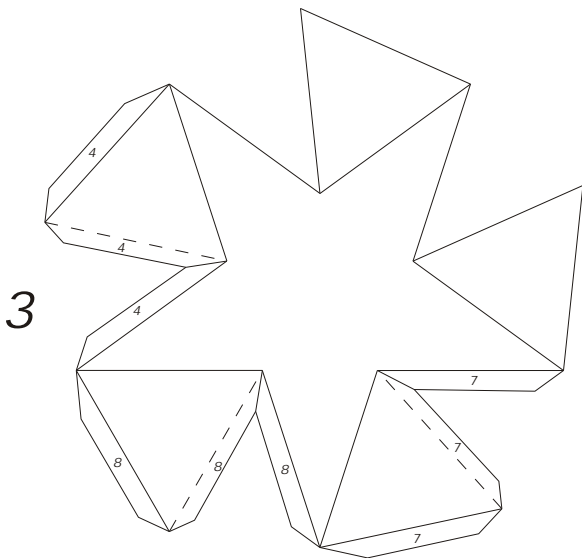
4



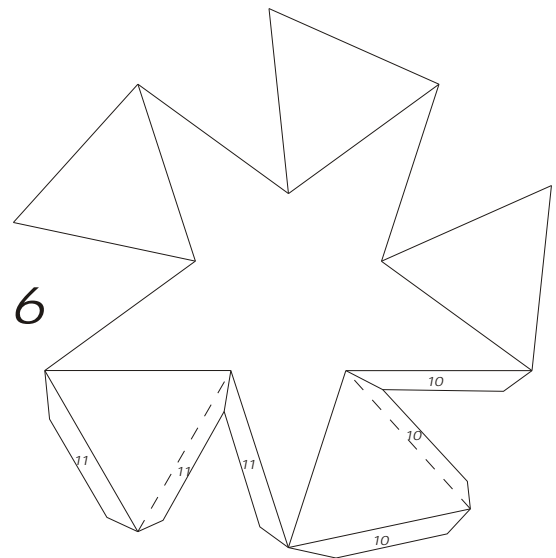
2



5

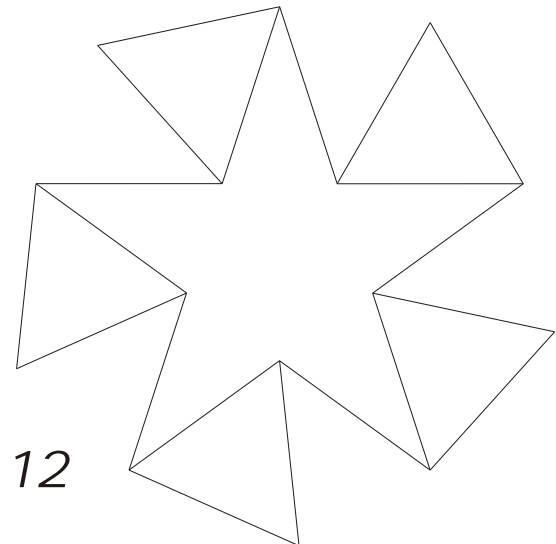
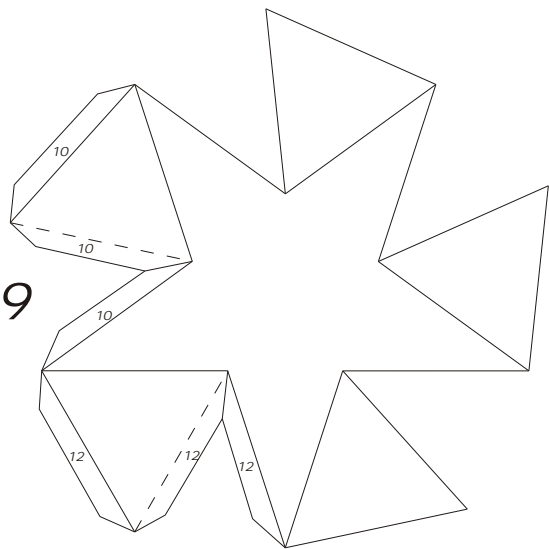
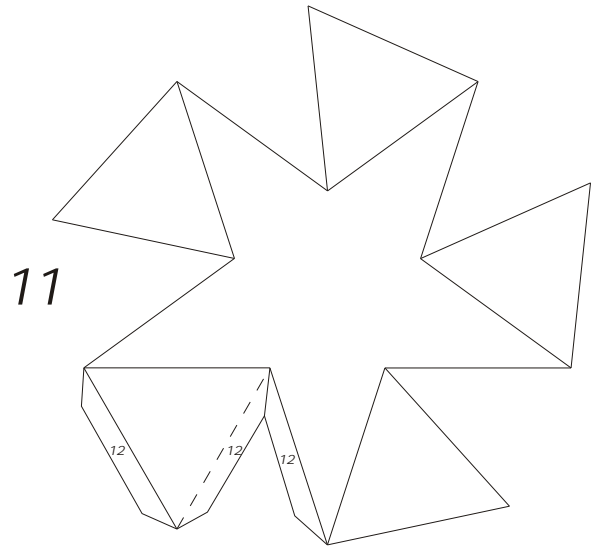
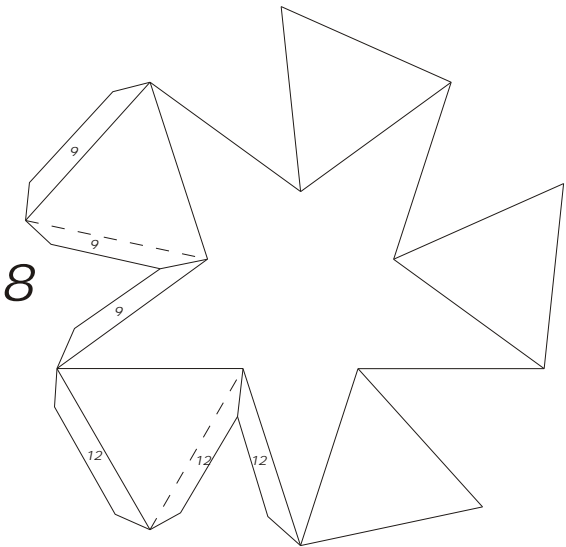
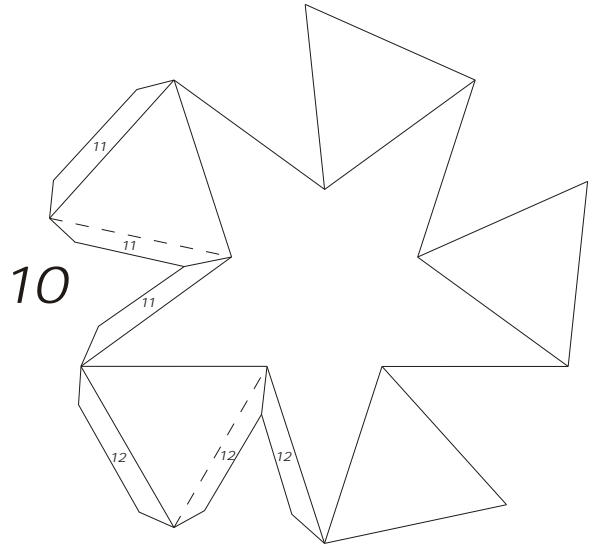
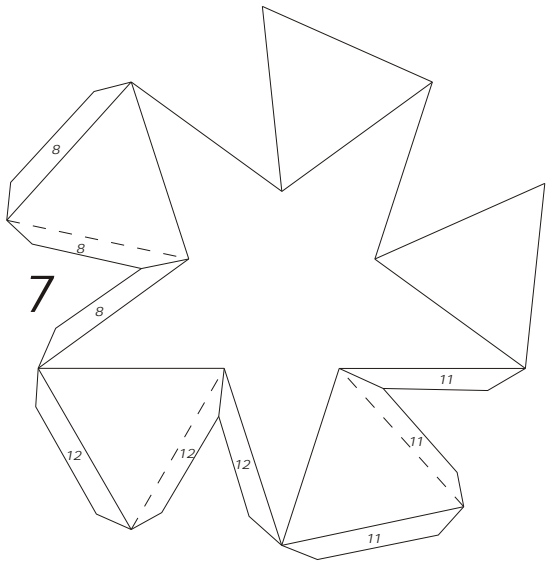


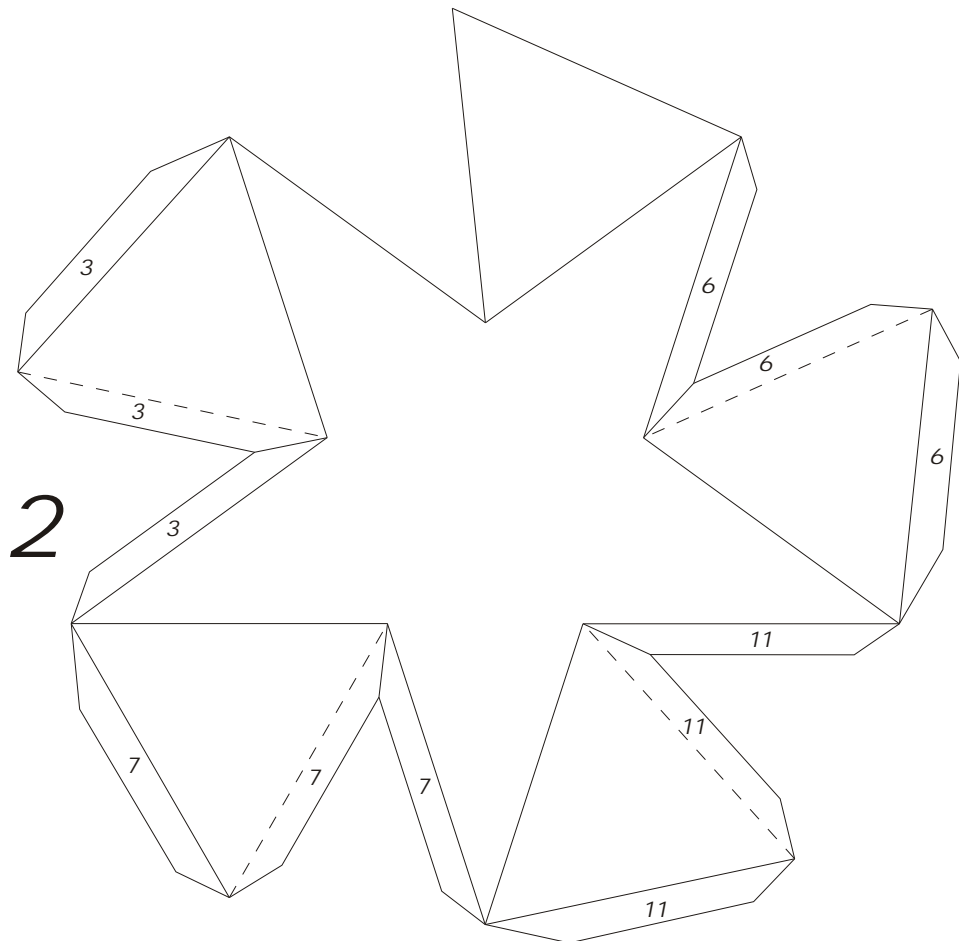
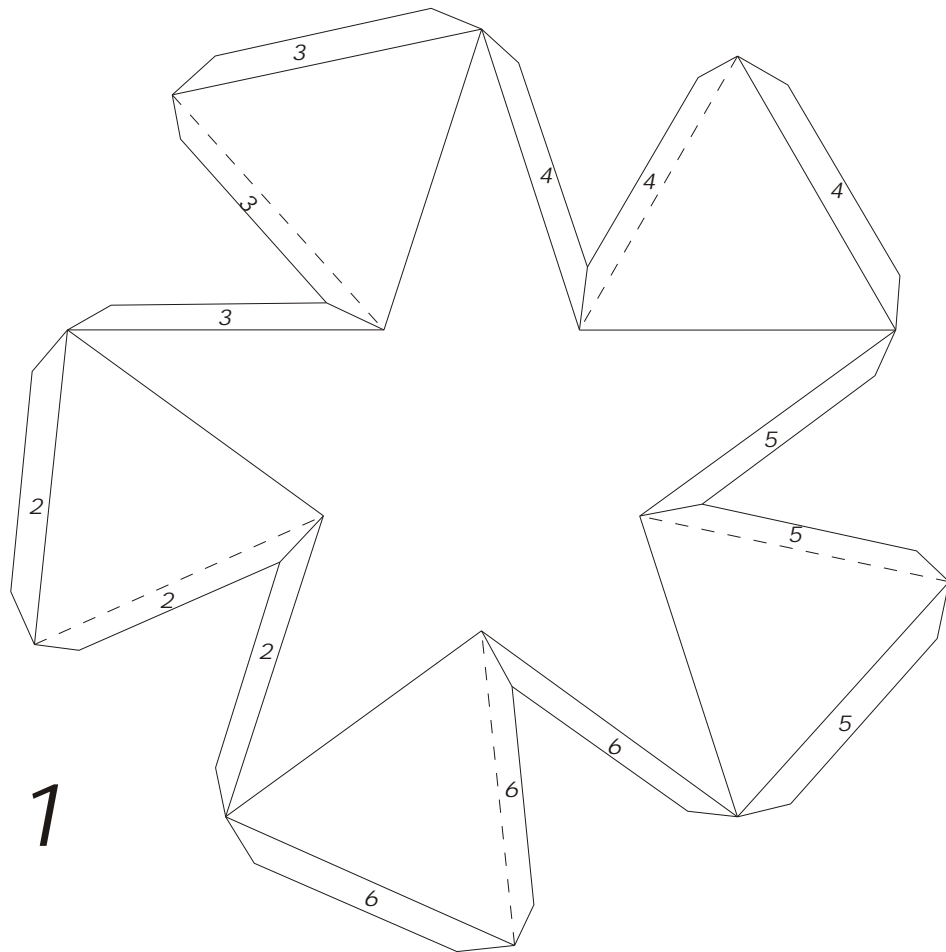
3



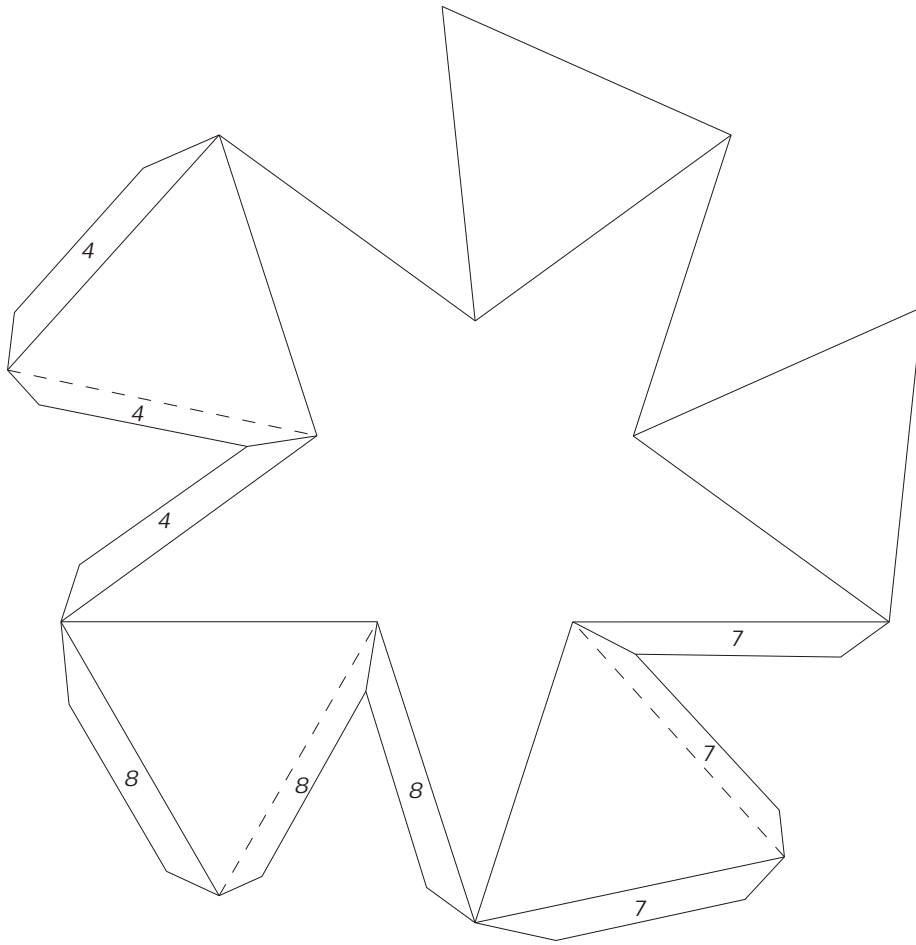
6

Do not fold the inner lines of the stars.
Fold the dotted lines forwards

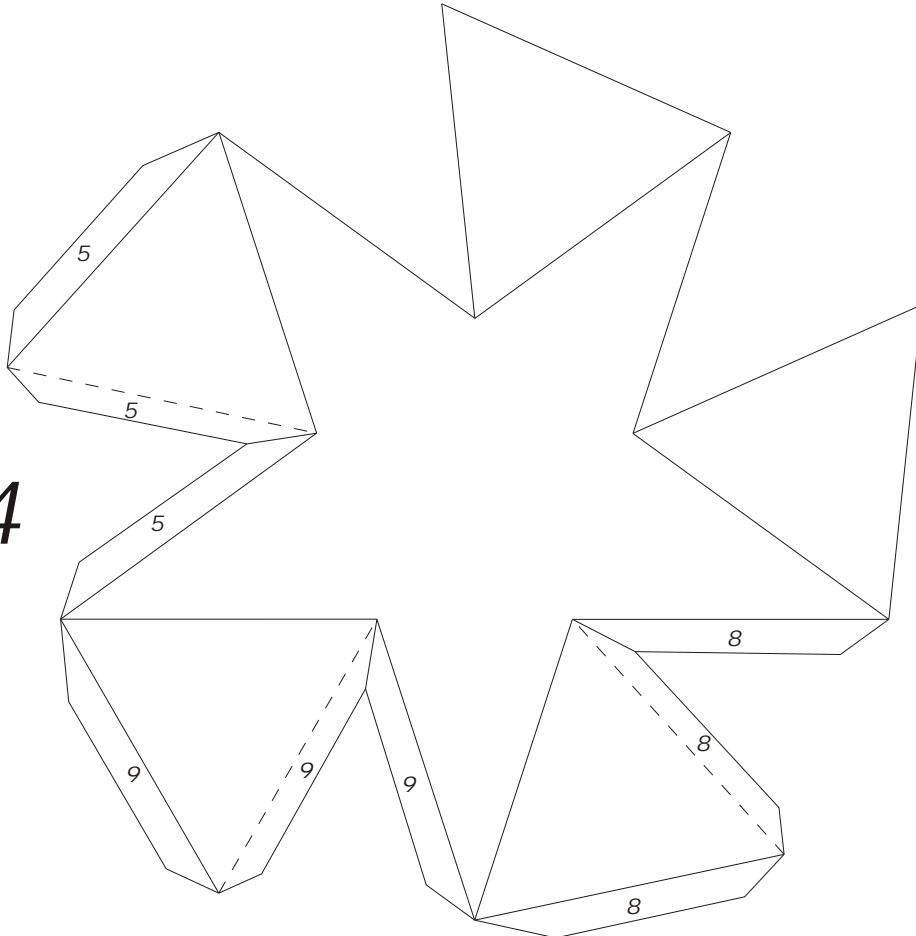




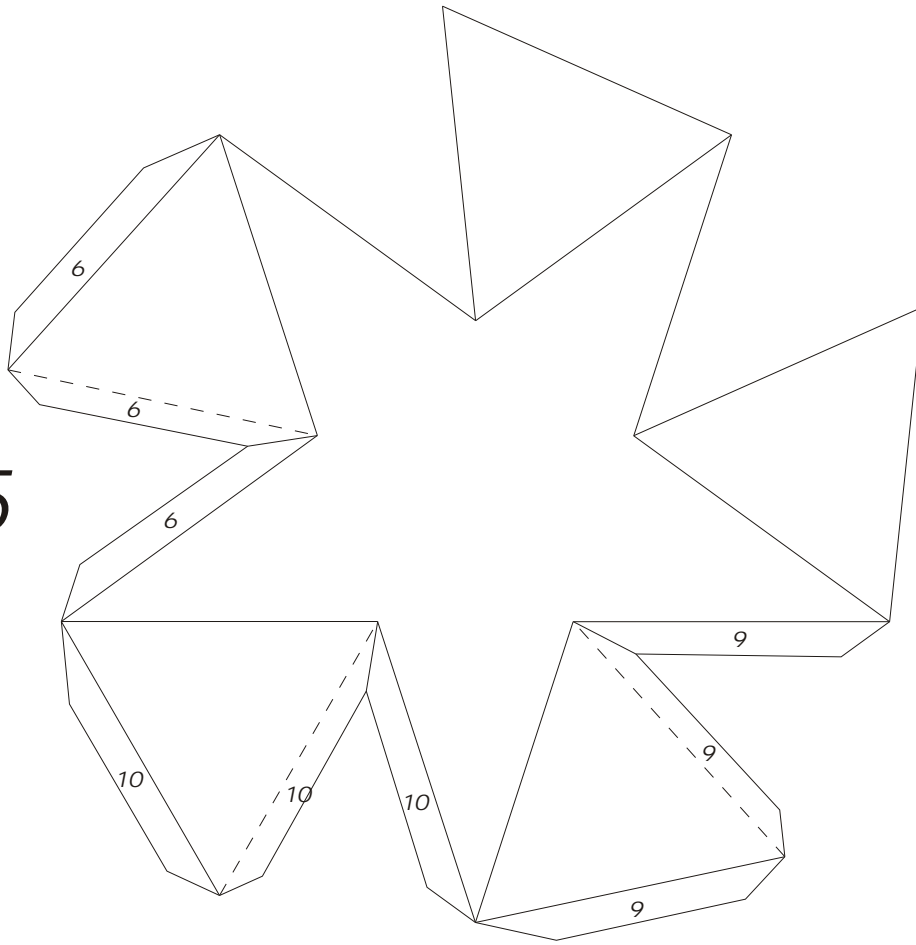
3



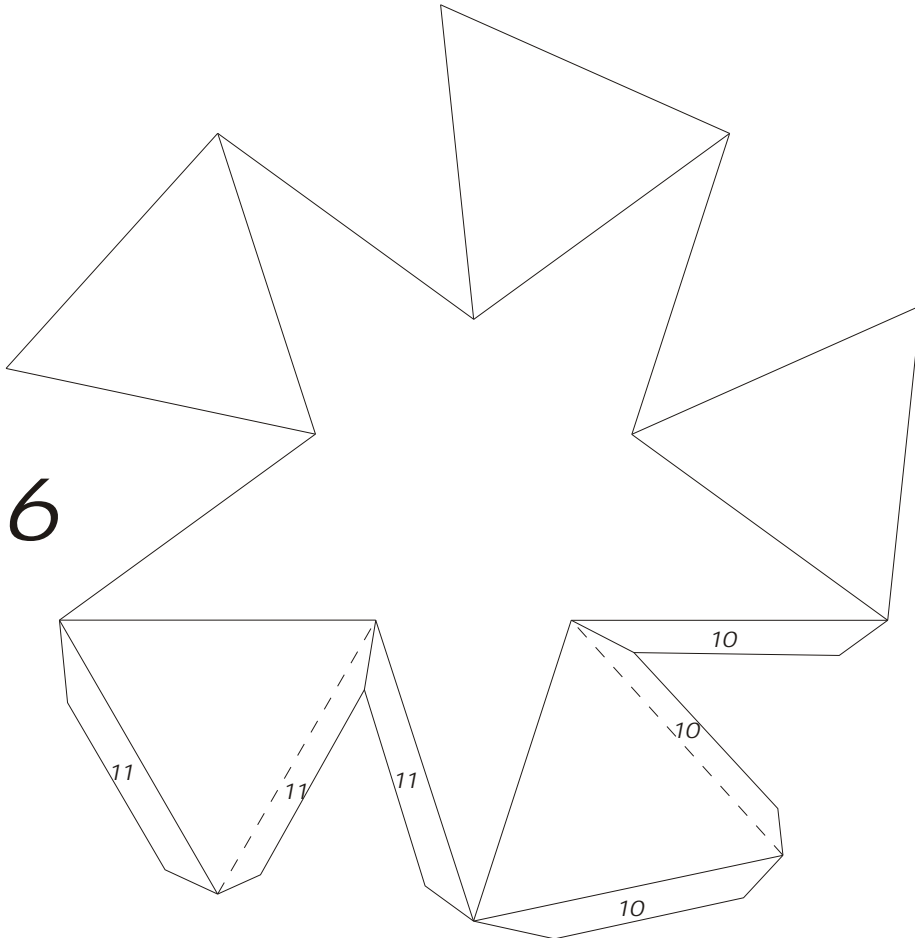
4

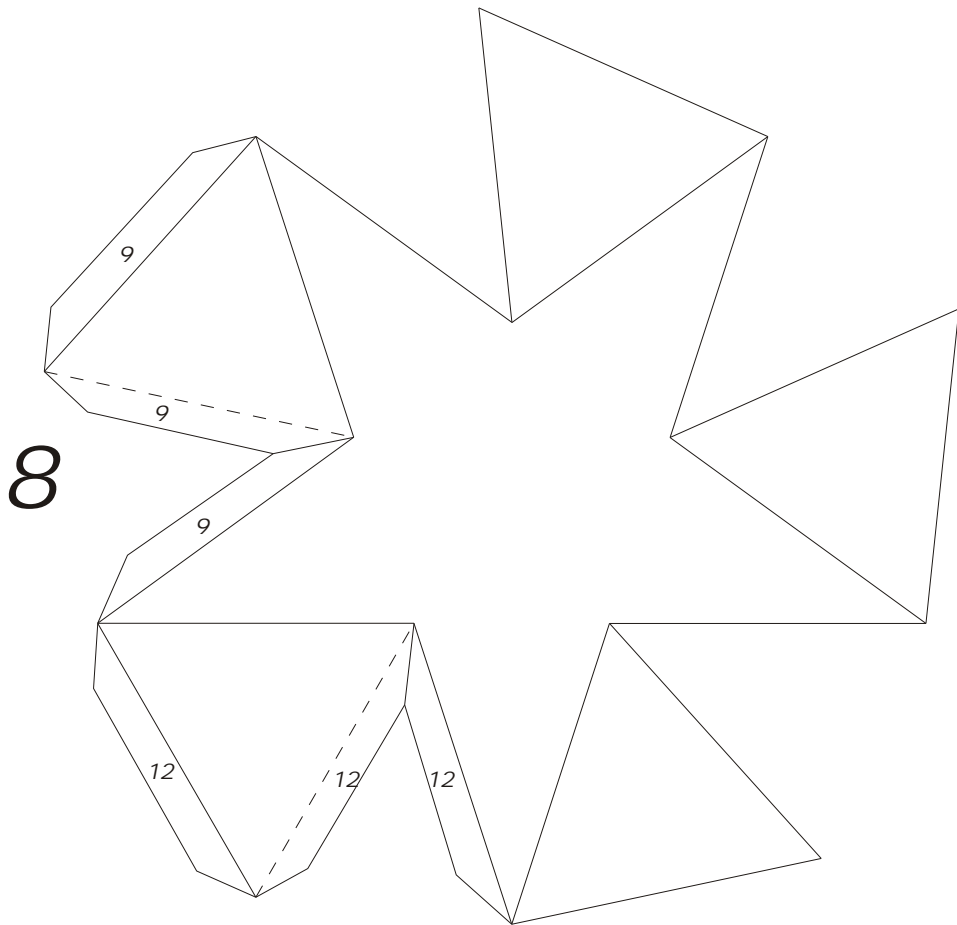
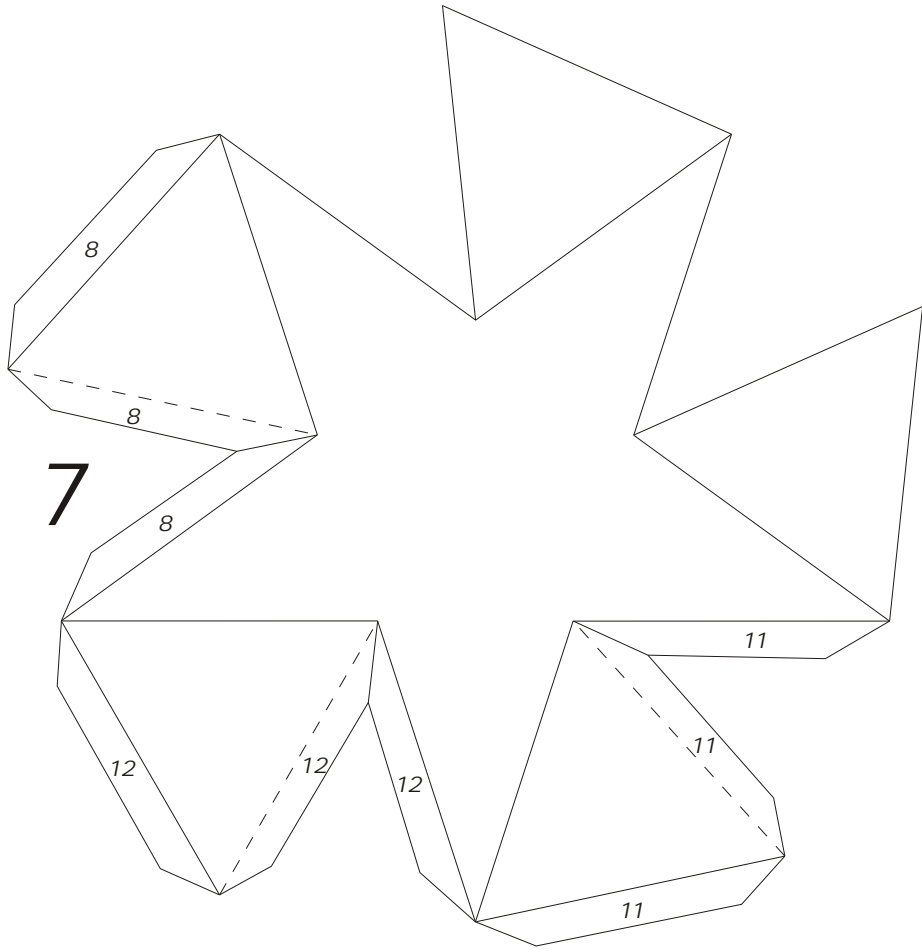


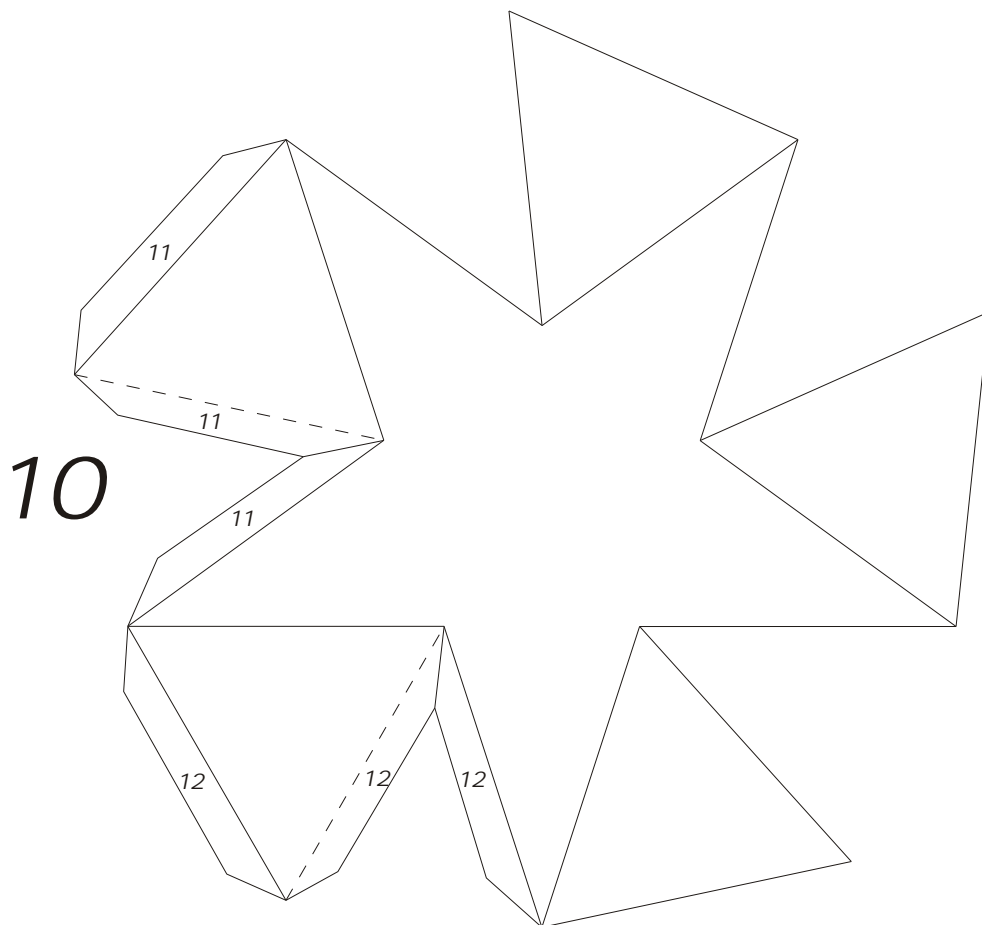
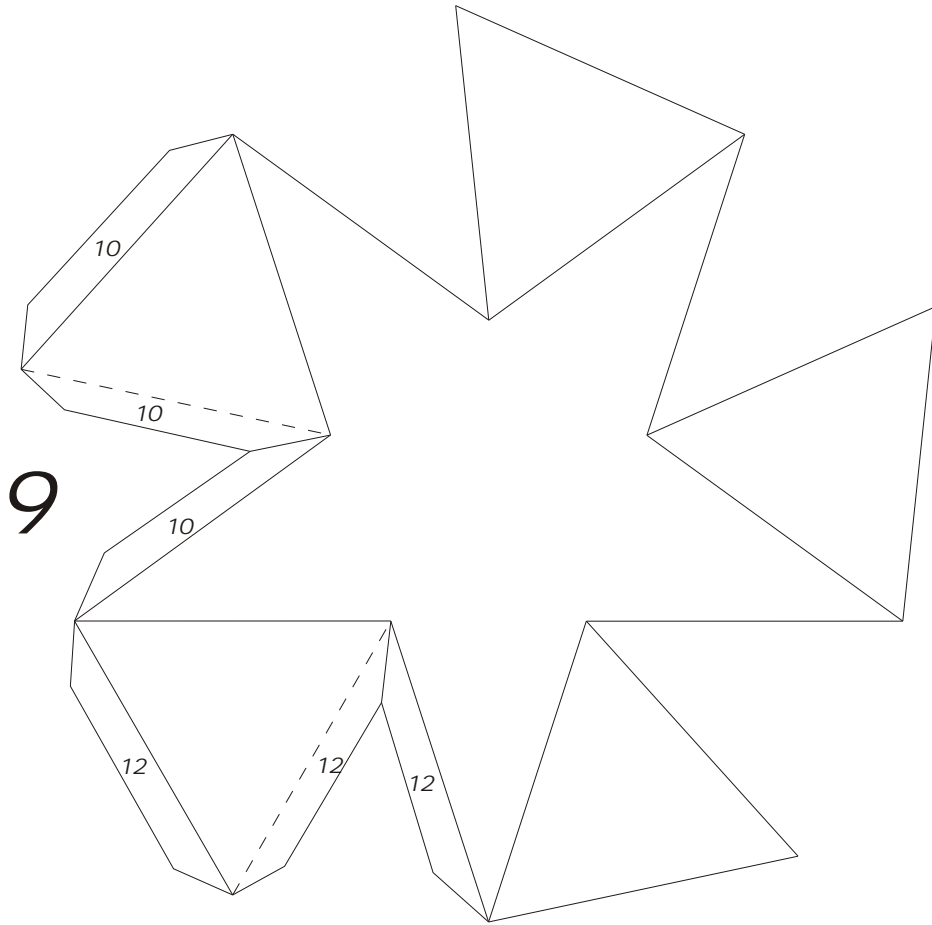
5



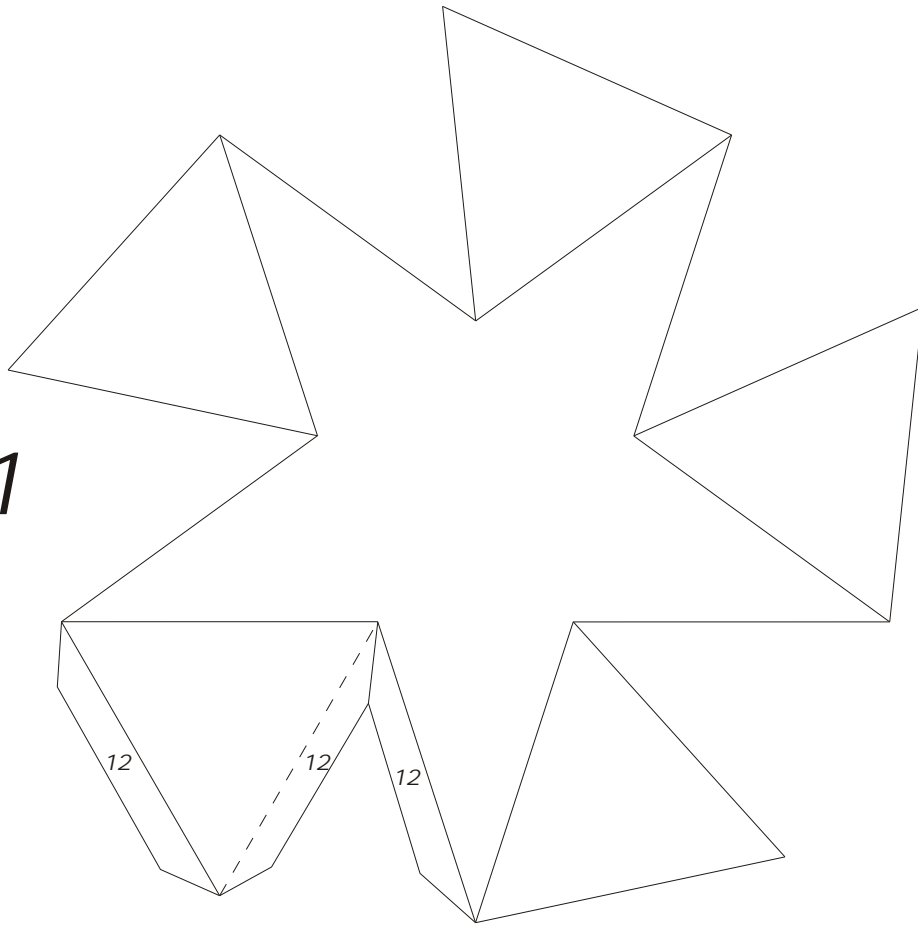
6







11



12

