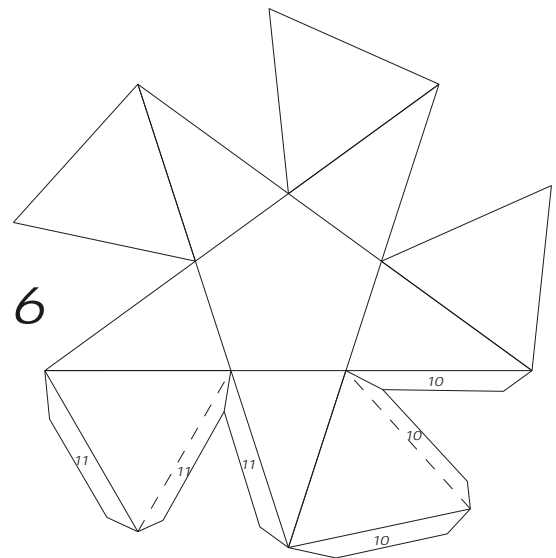
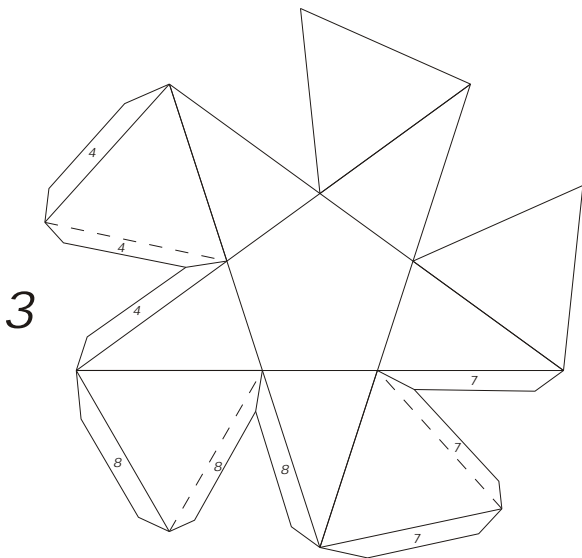
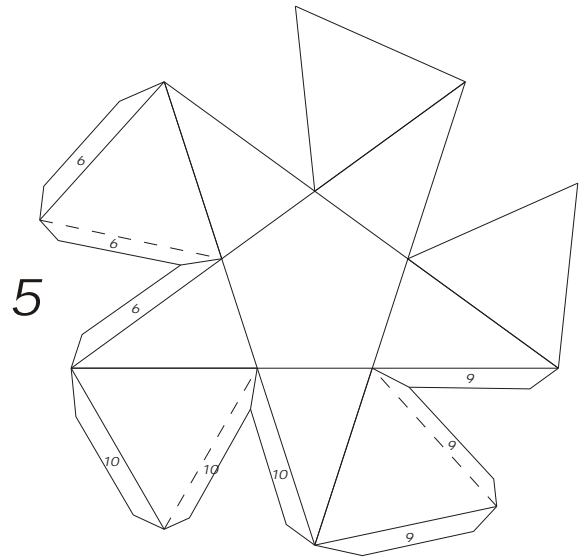
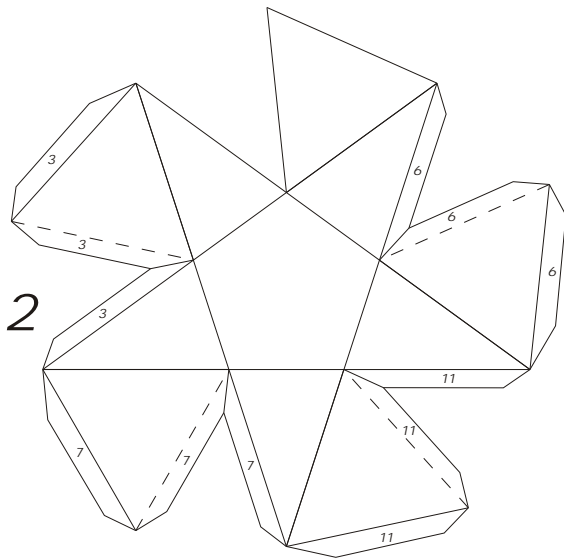
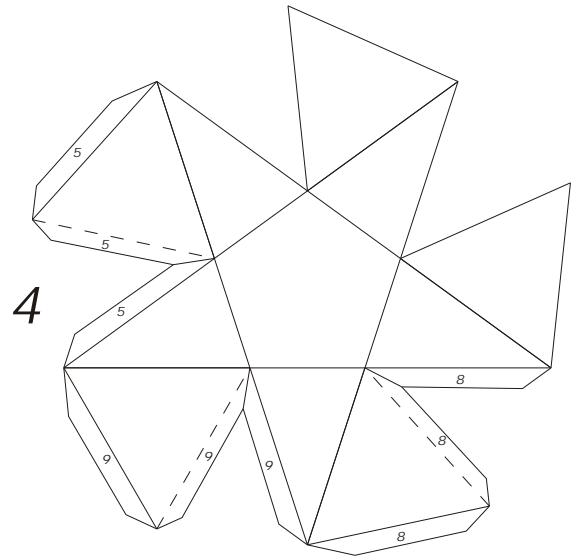
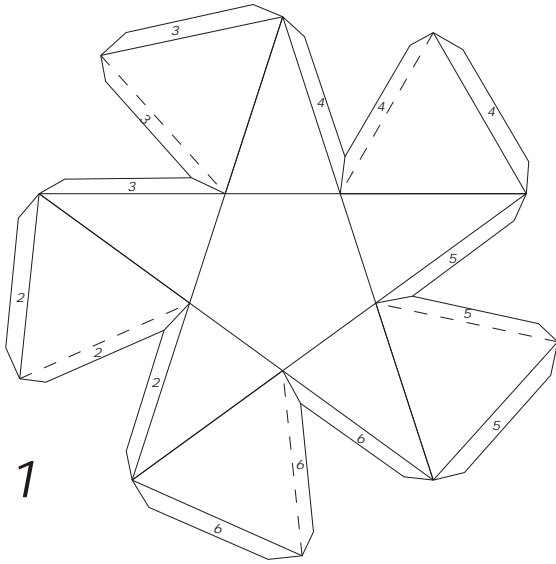
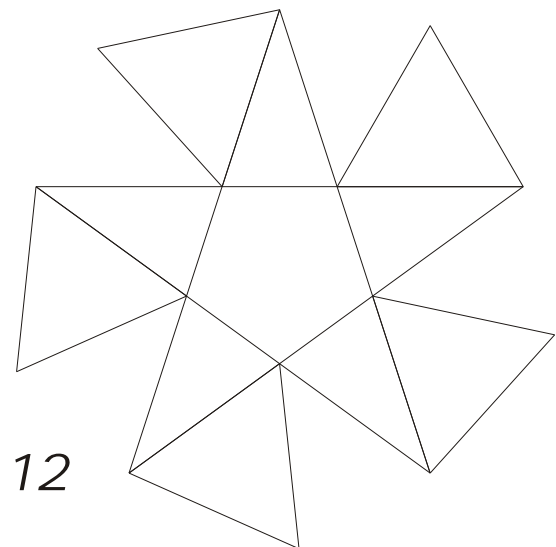
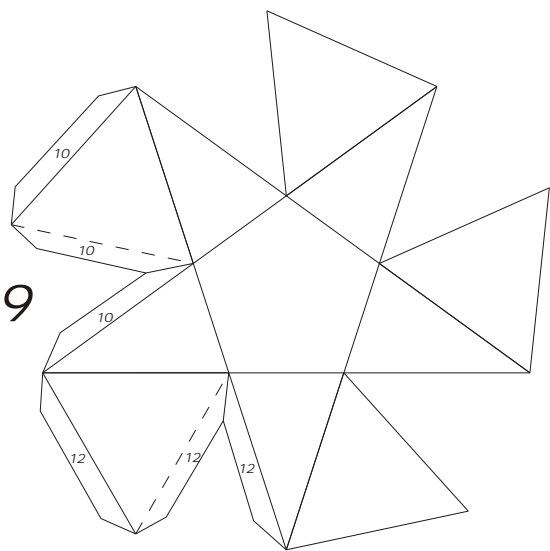
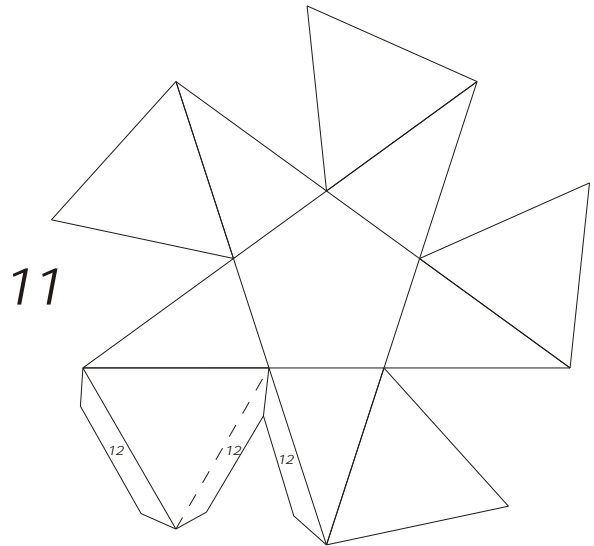
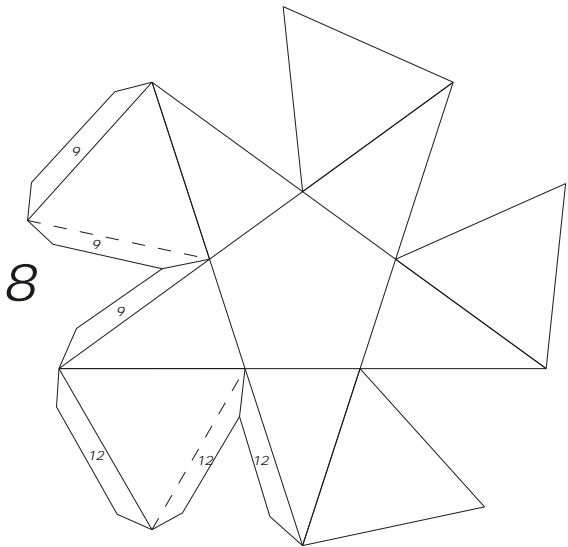
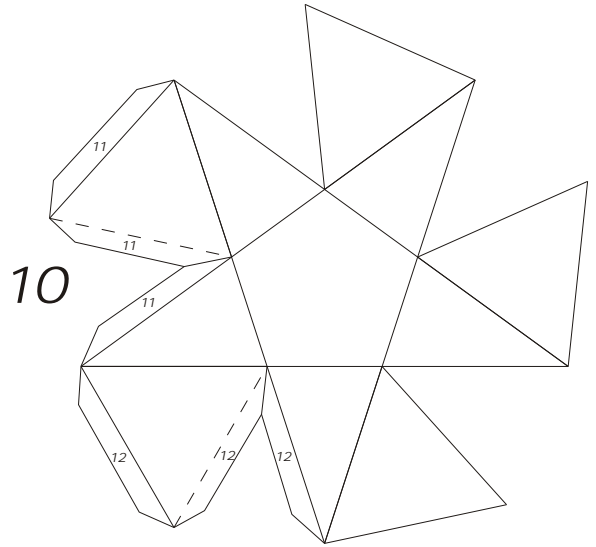
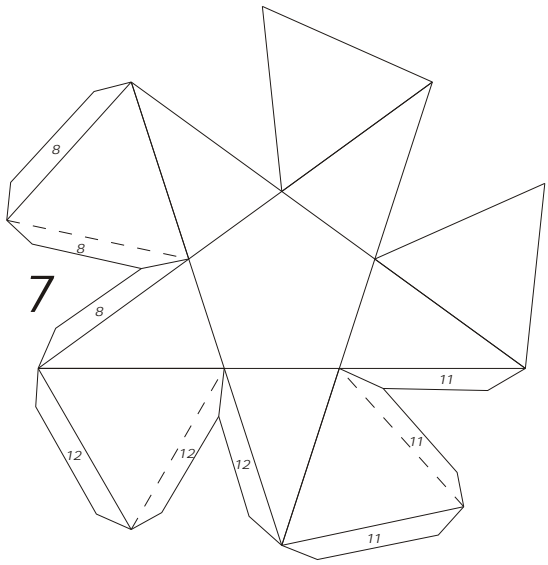
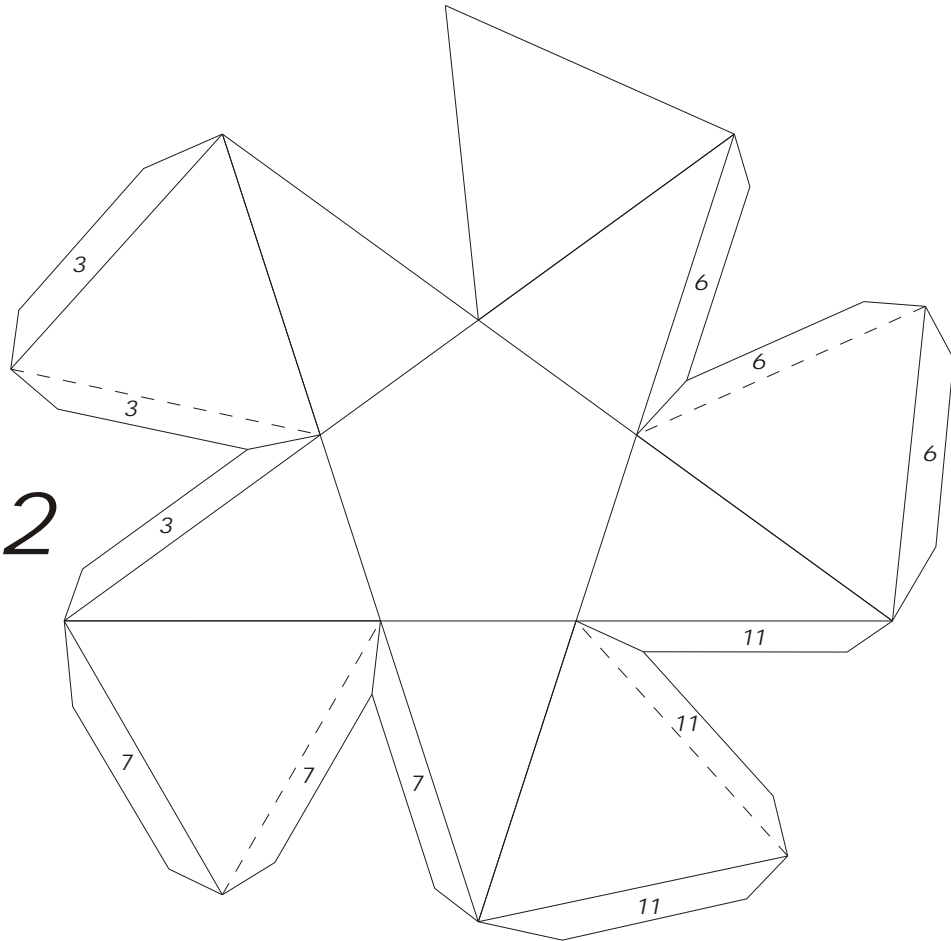
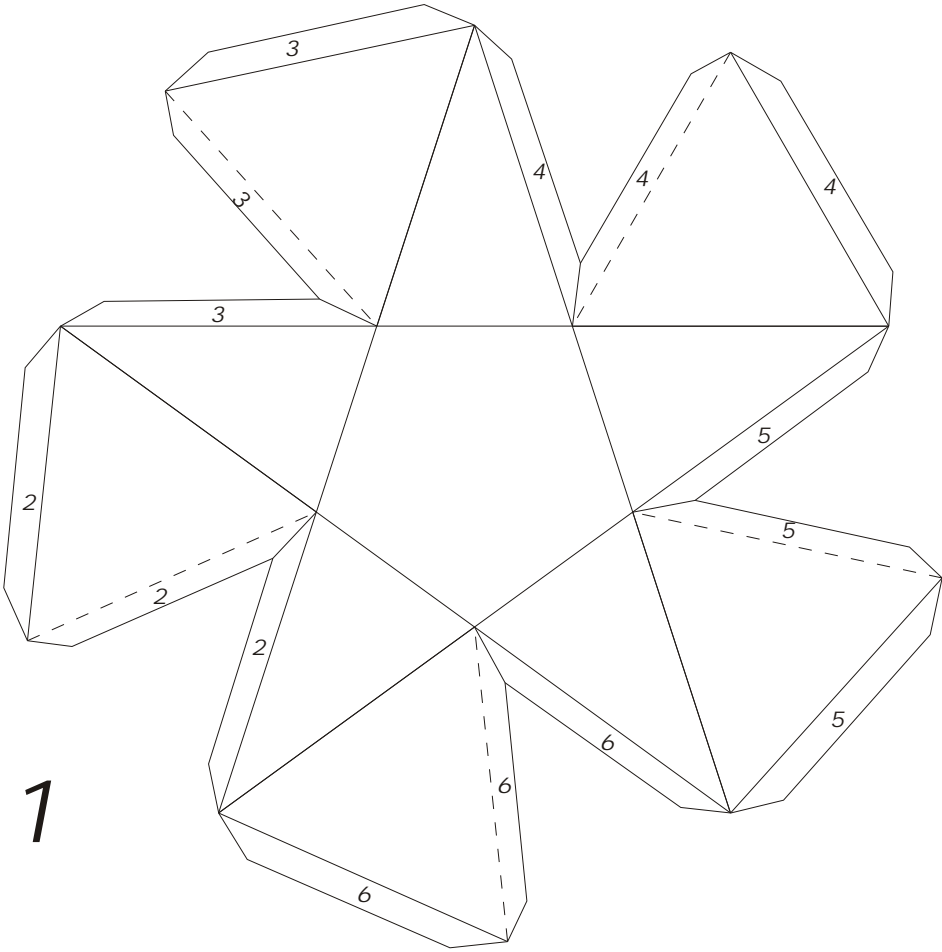


Small Ditrigonal Icosidodecahedron

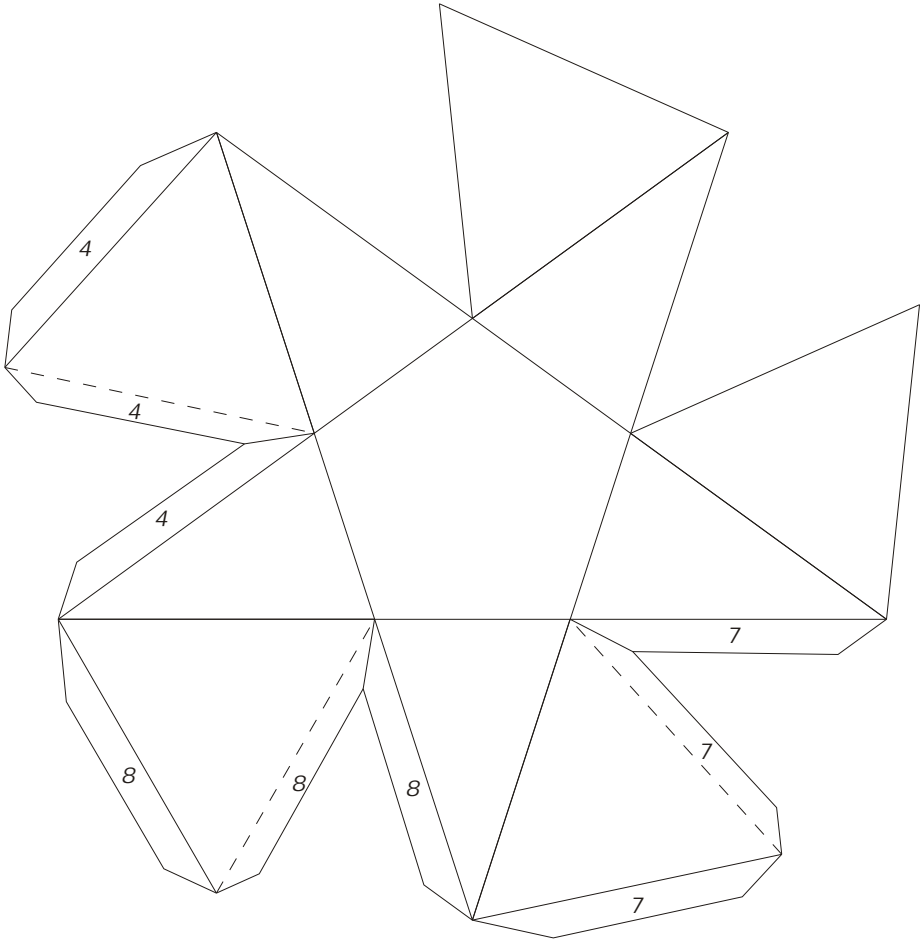


Do not fold the inner lines of the stars.
Fold the dotted lines forwards

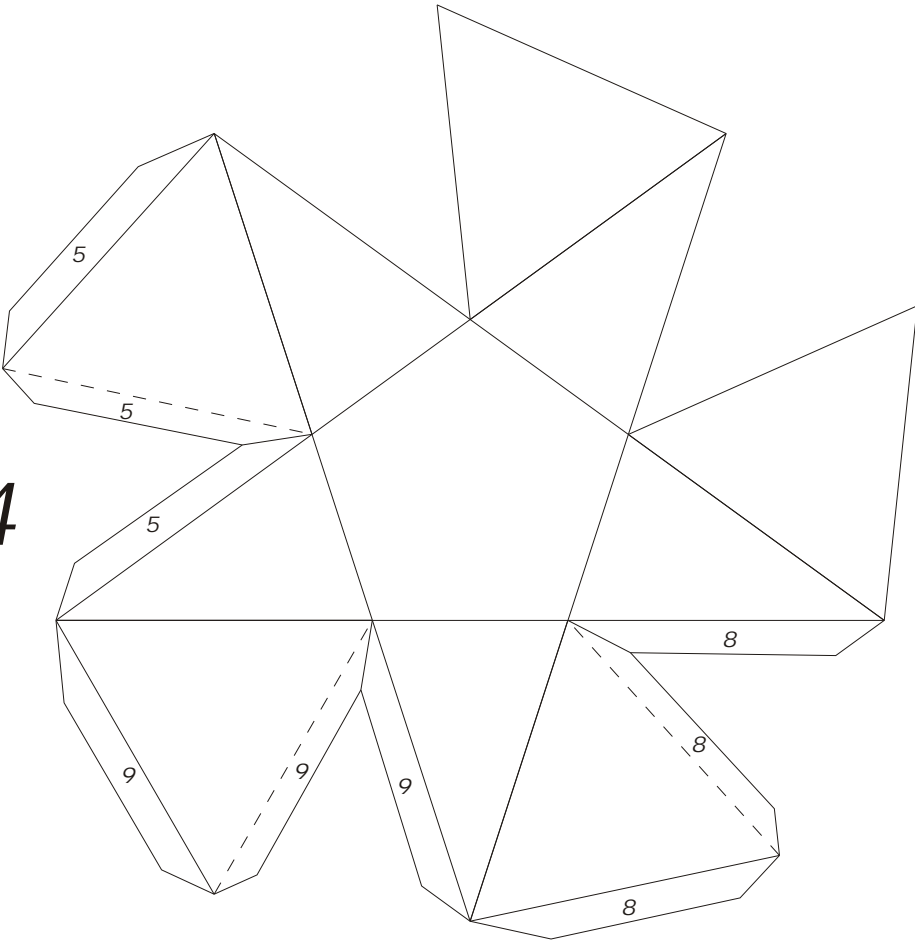




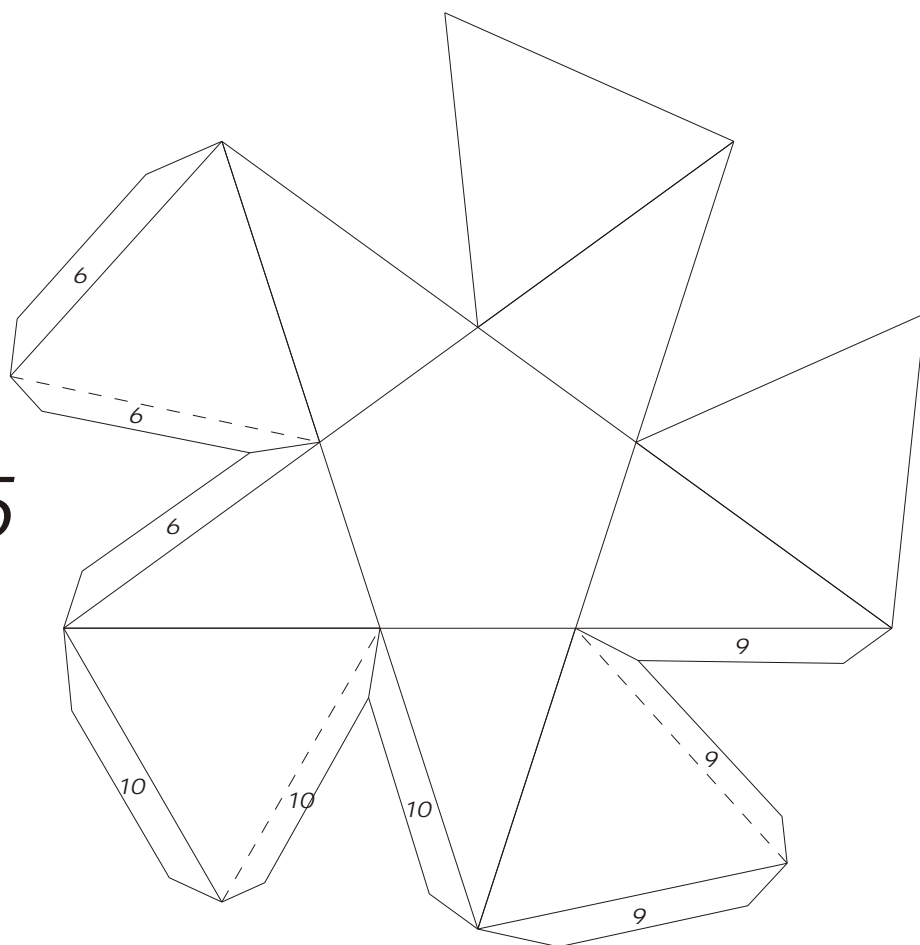
3



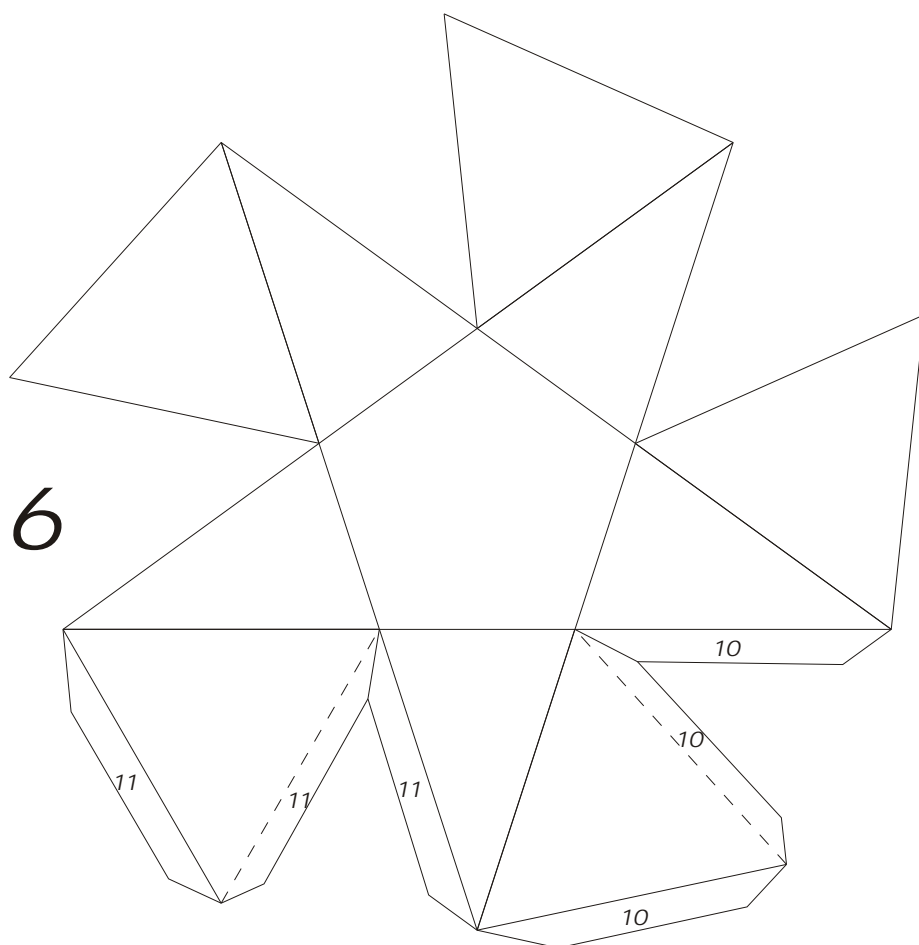
4

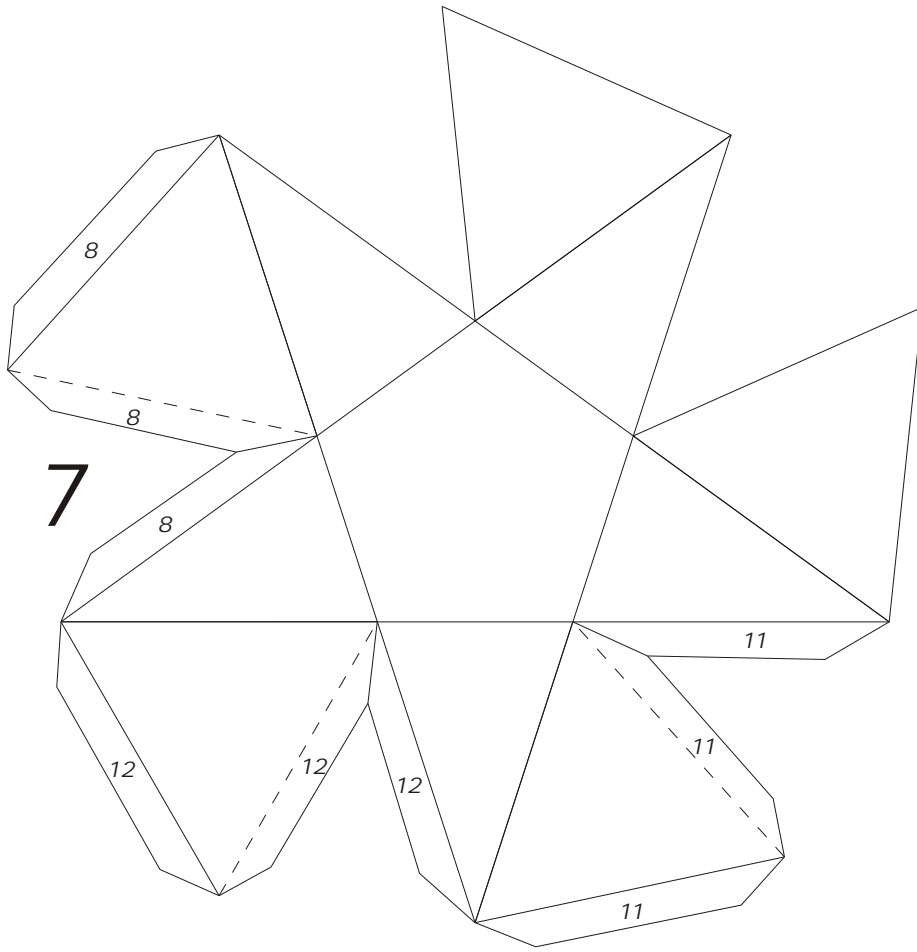


5

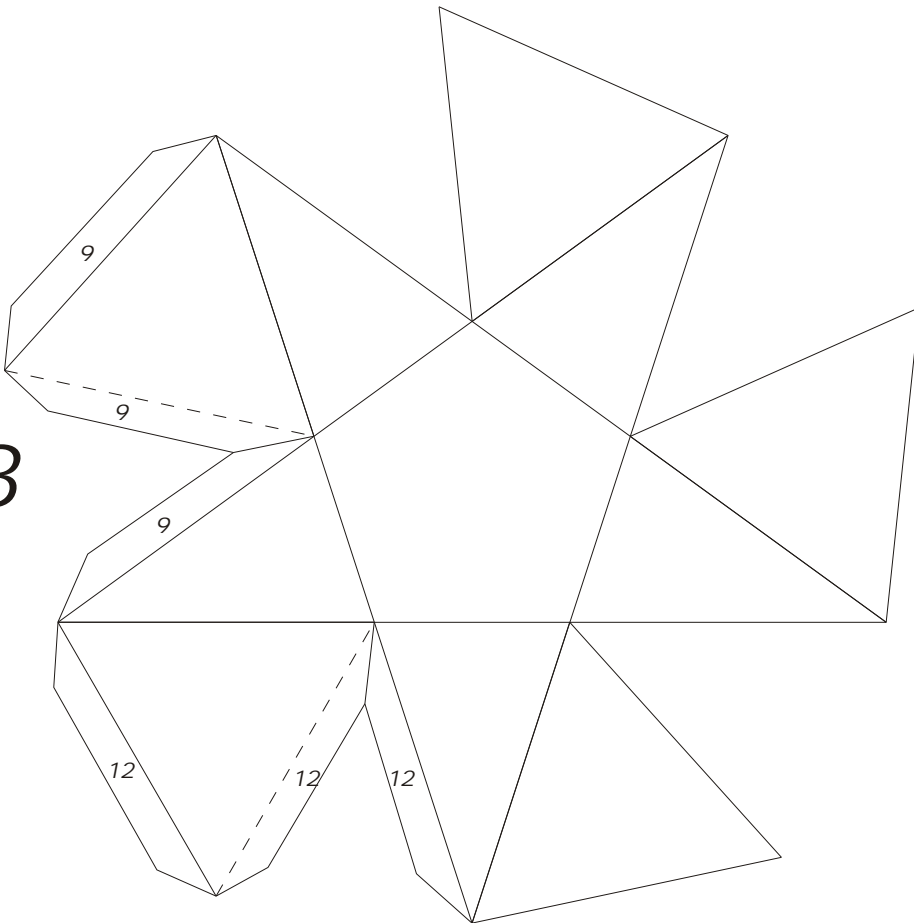


6

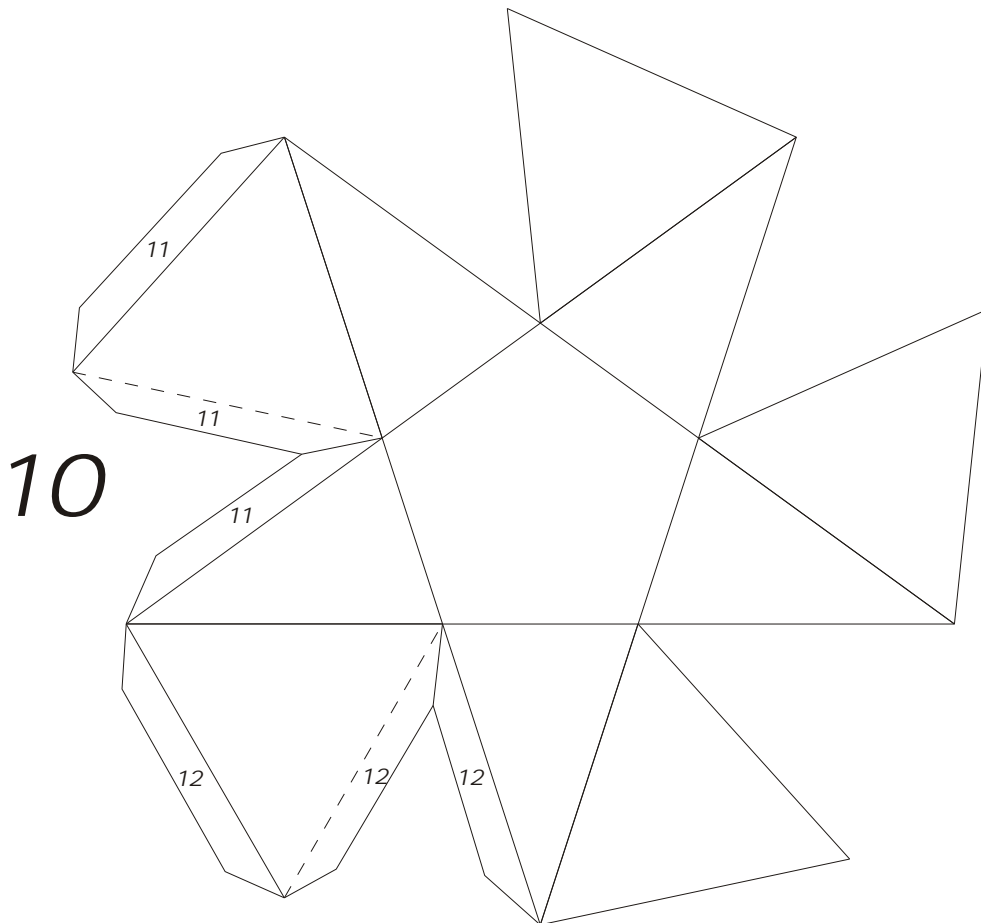
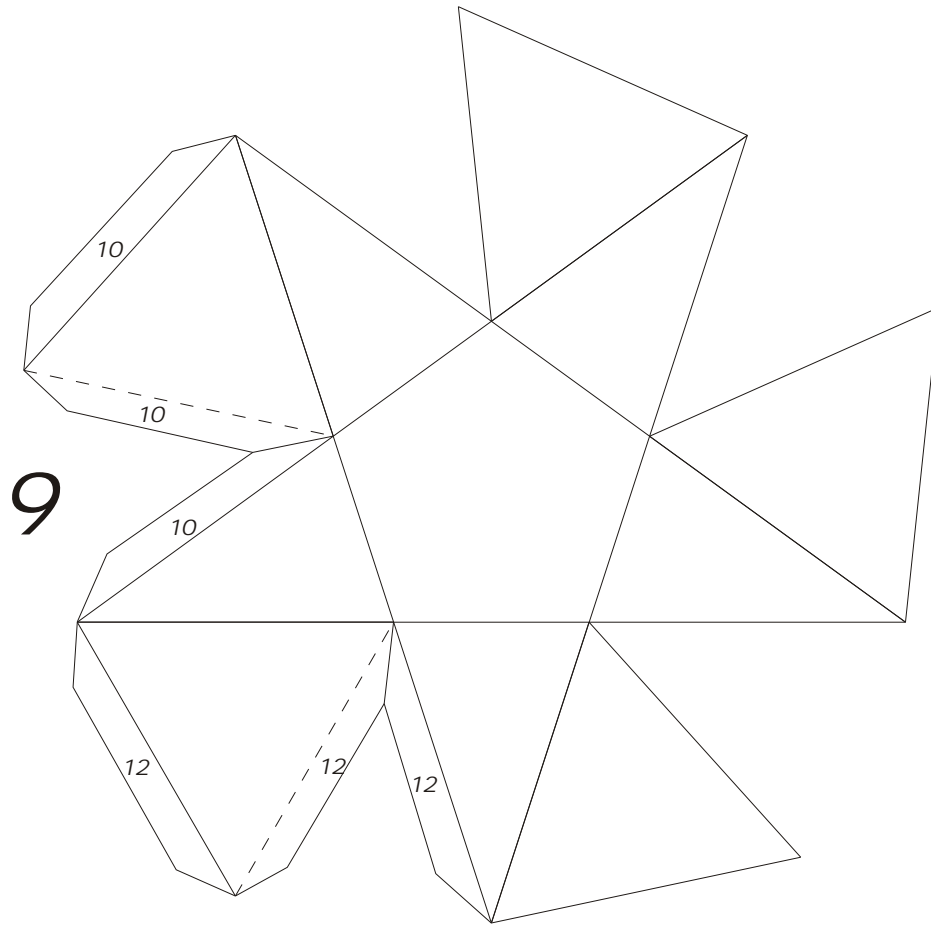




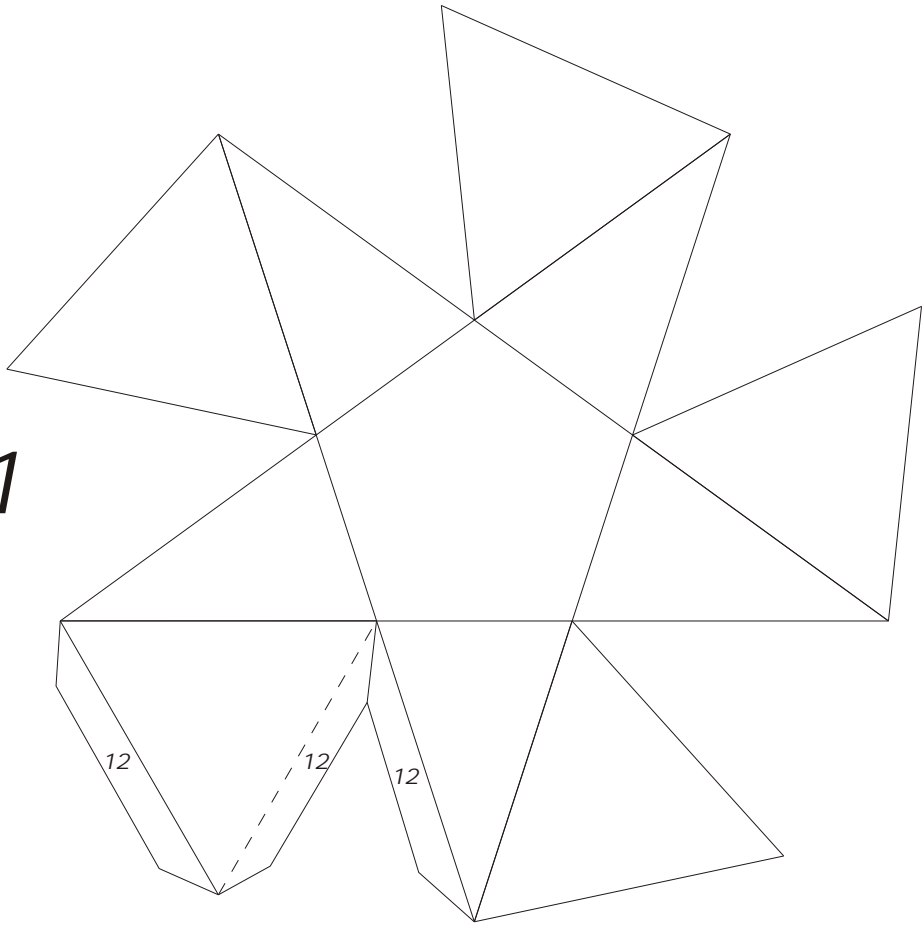
7



8



11



12

