

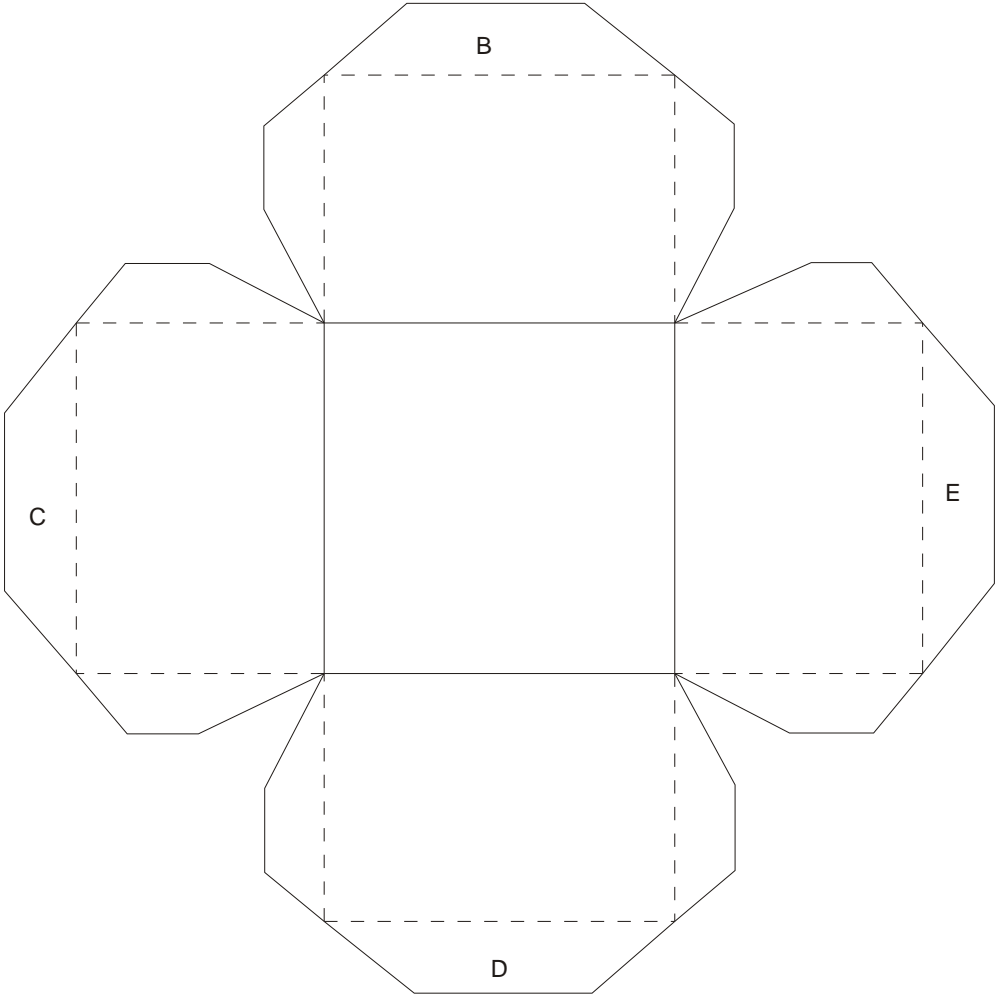
Small Cubicuboctahedron

(large version)

Fold the dotted lines forwards

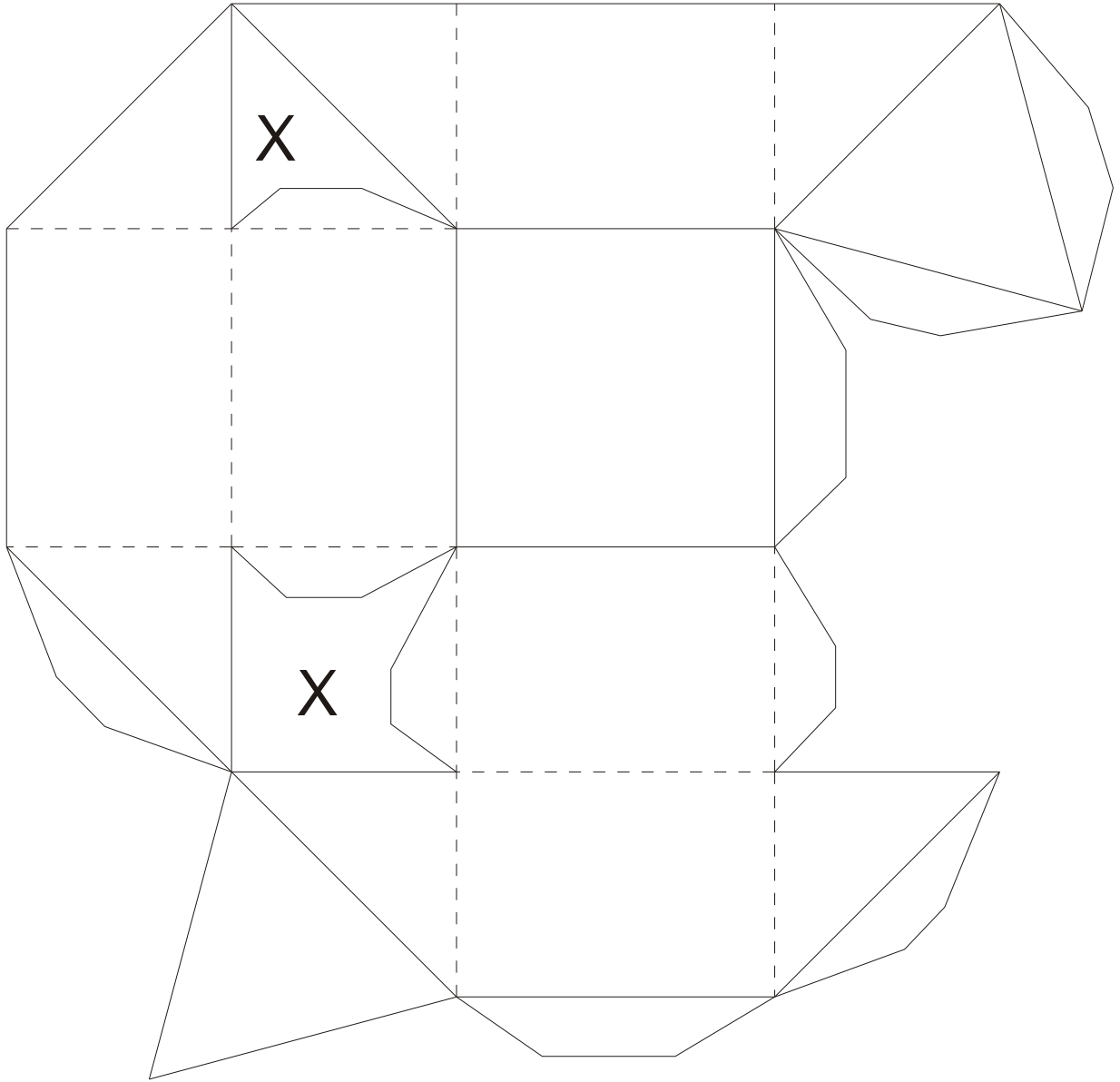
Fold the other lines backwards

A



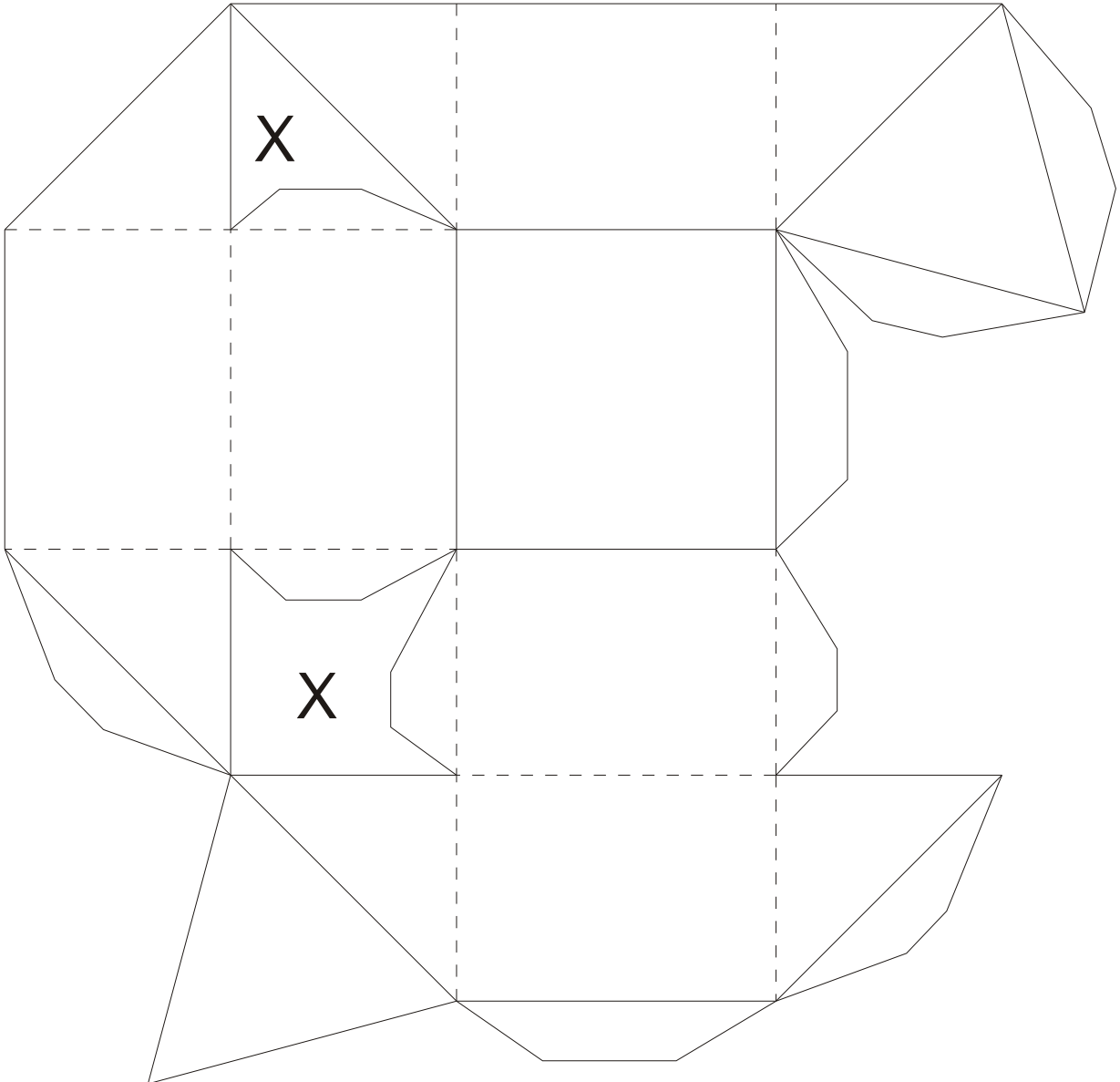
B

A



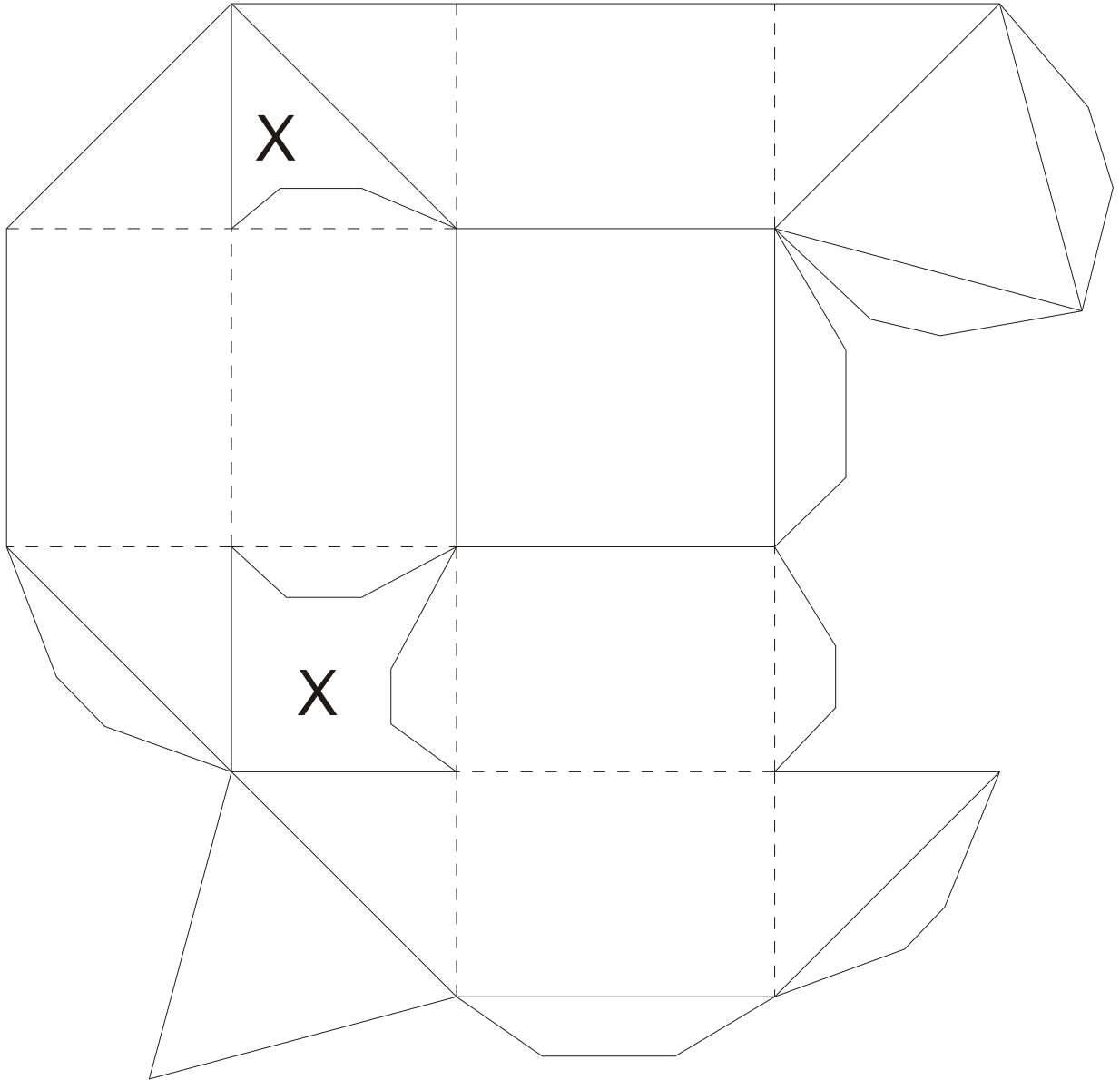
C

A



D

A



E

A

