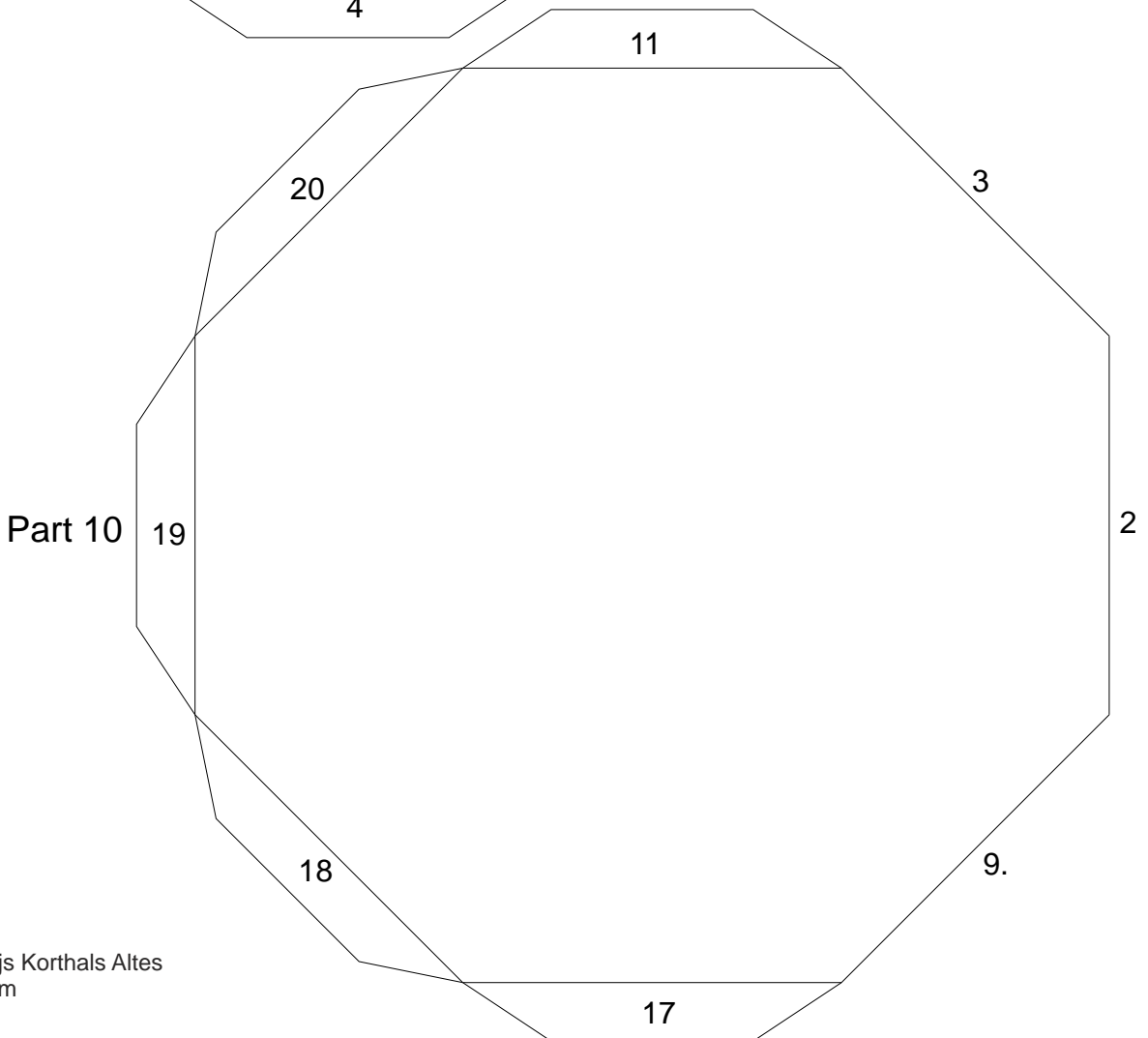
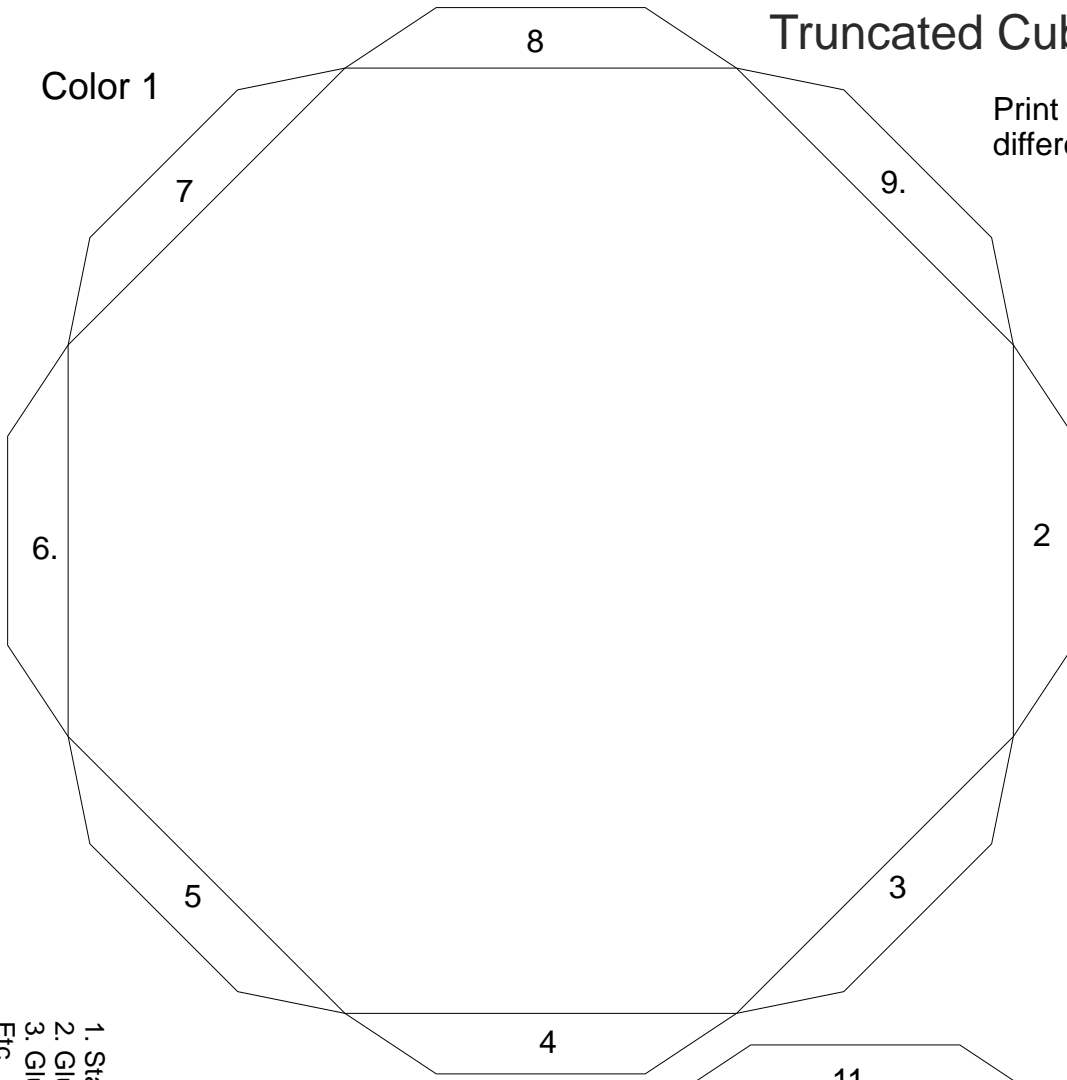


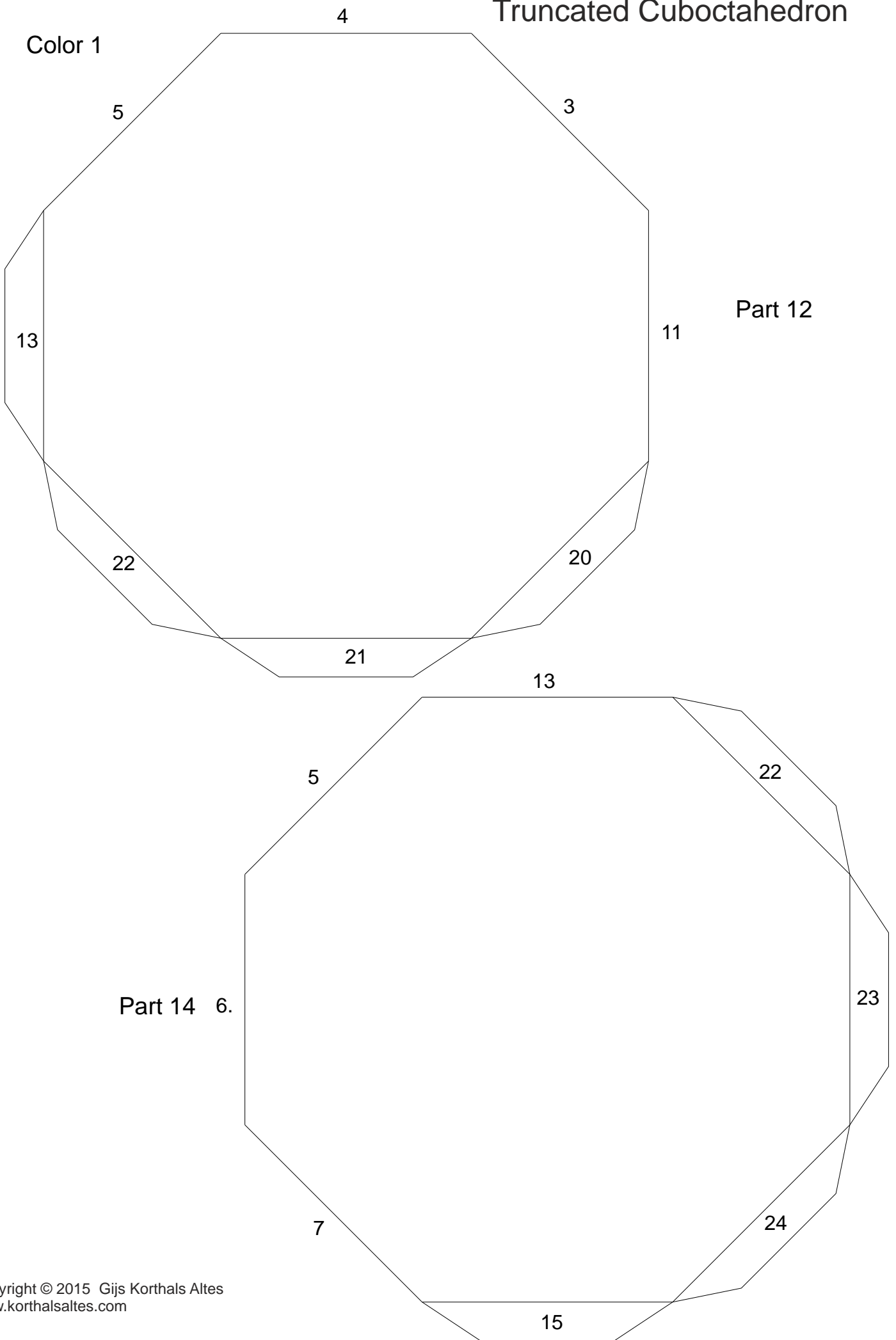
Truncated Cuboctahedron

Print the model on three different colored papers

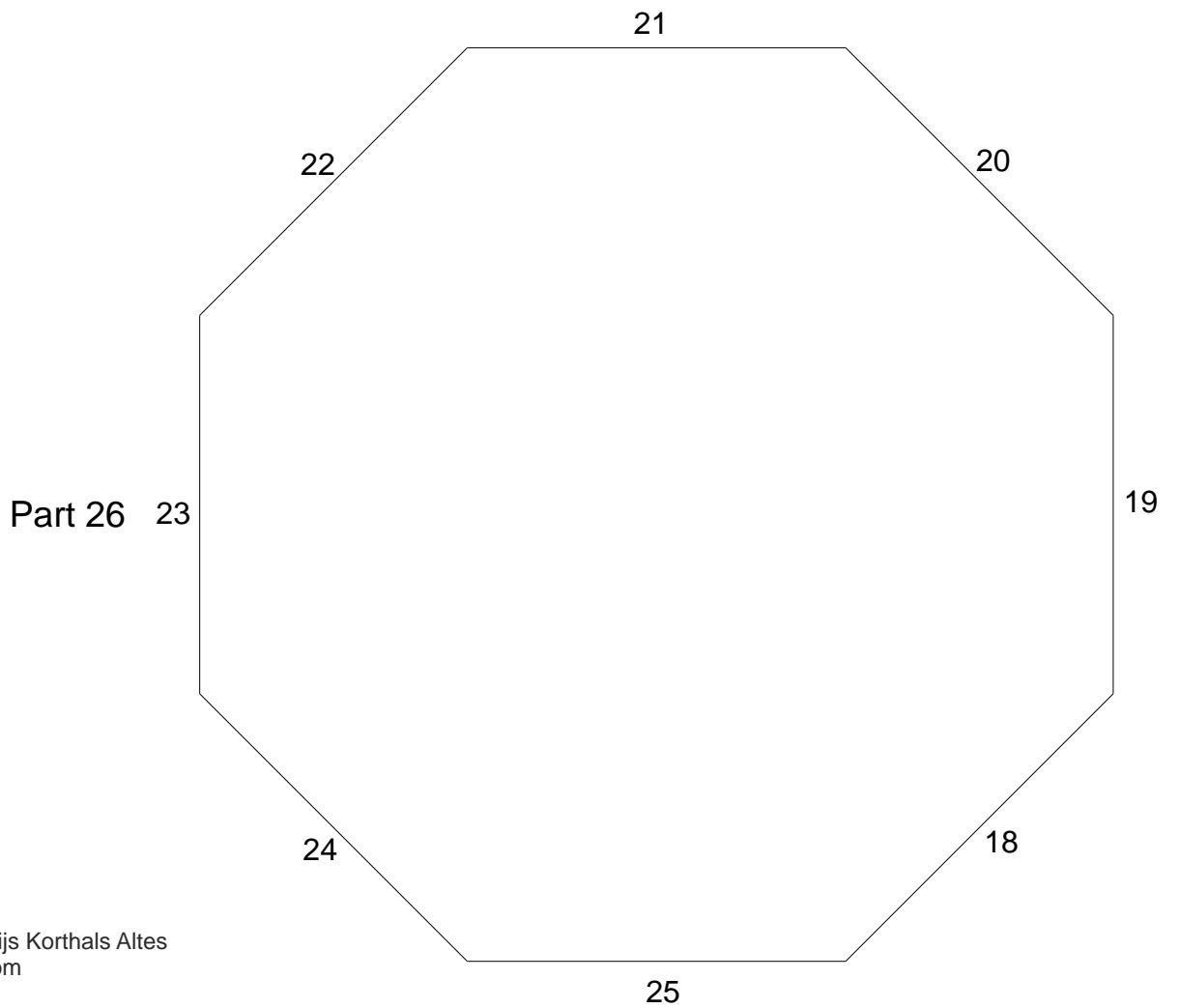
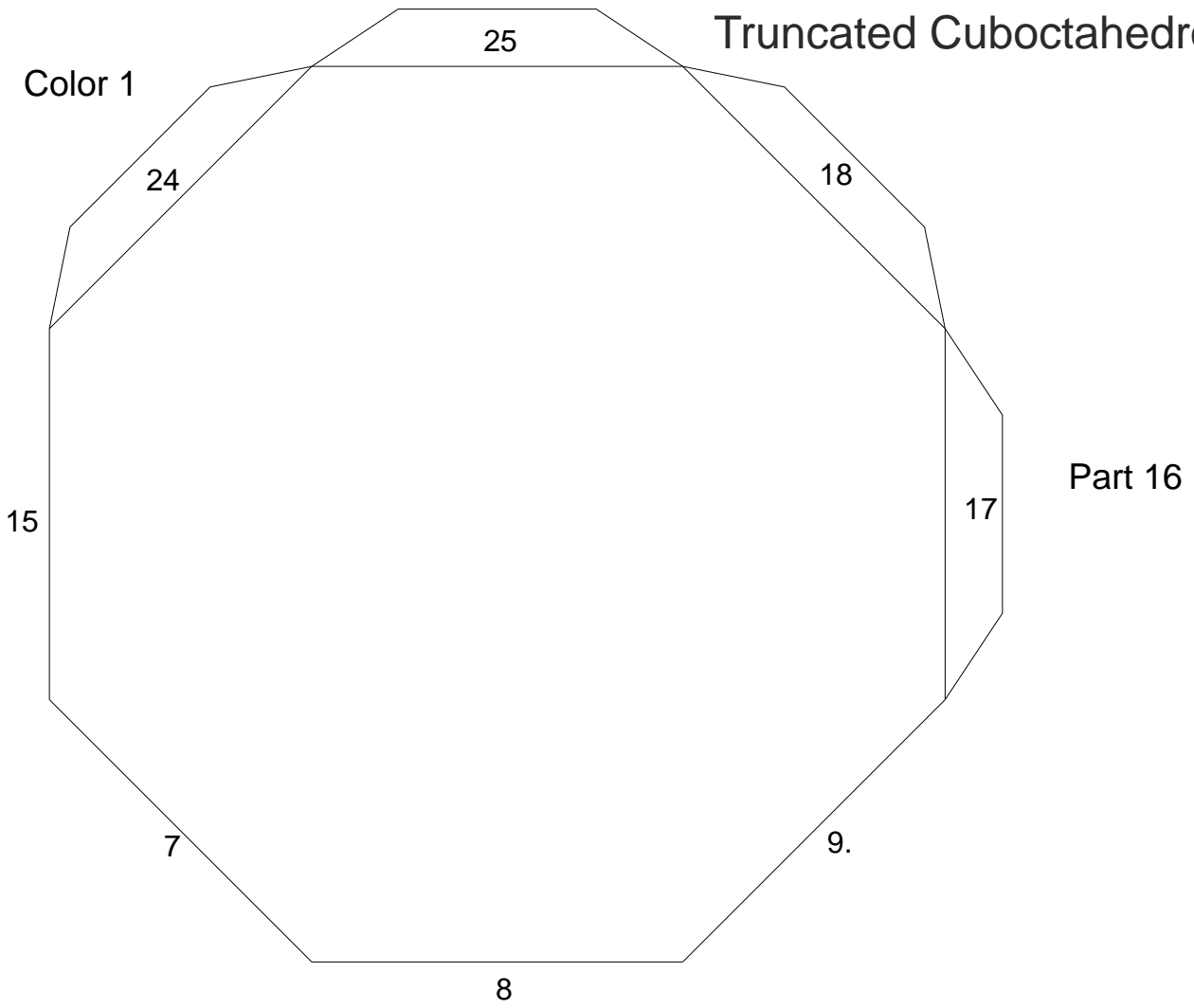


1. Start with part 1 and glue part 2 on the tab of part 1 with the number 2.
 2. Glue part 3 on the parts 1 and 2 on the tab(s) with the number 3.
 3. Glue part 4 on the parts 1, 2 and 3 on the tab(s) with the number 4.
- Etc.

Truncated Cuboctahedron



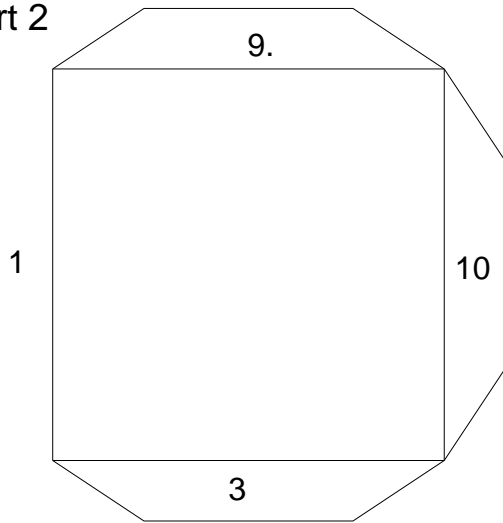
Truncated Cuboctahedron



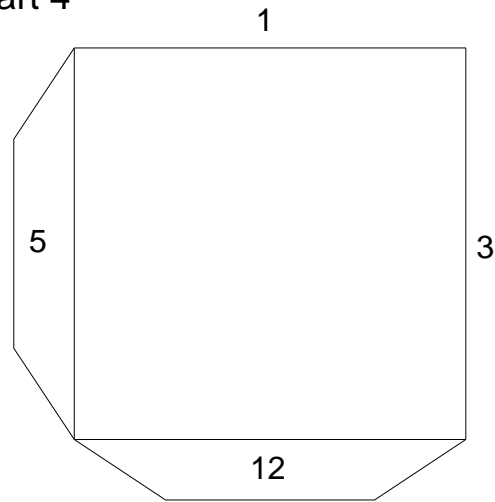
Truncated Cuboctahedron

Color 2

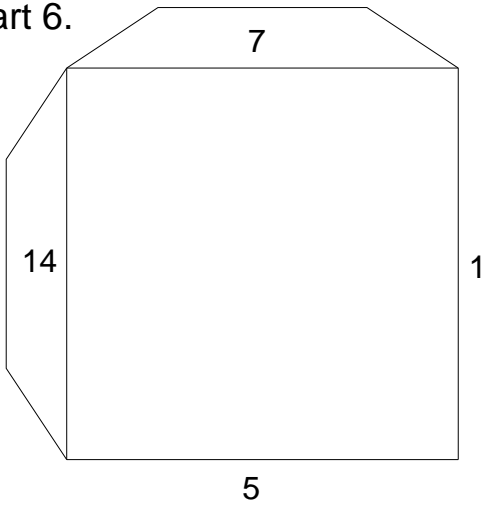
Part 2



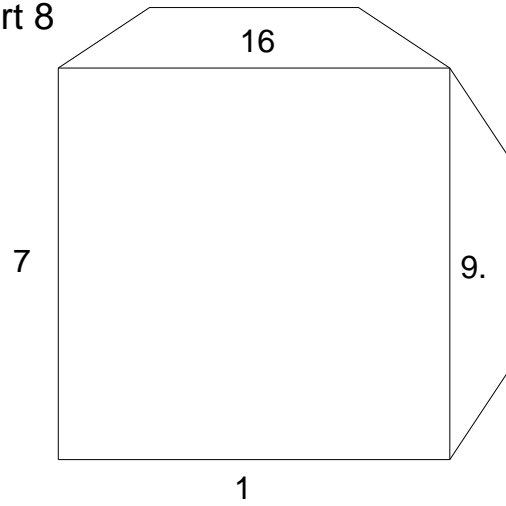
Part 4



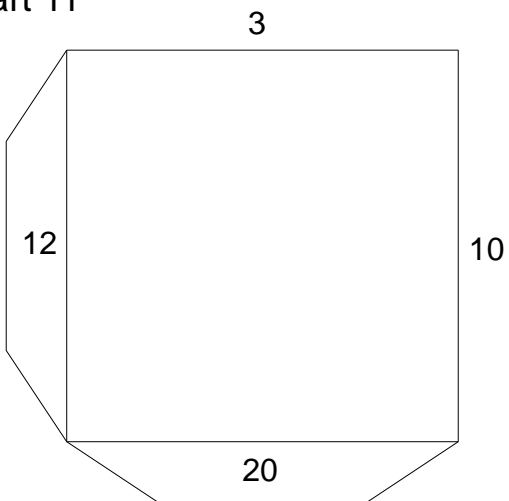
Part 6.



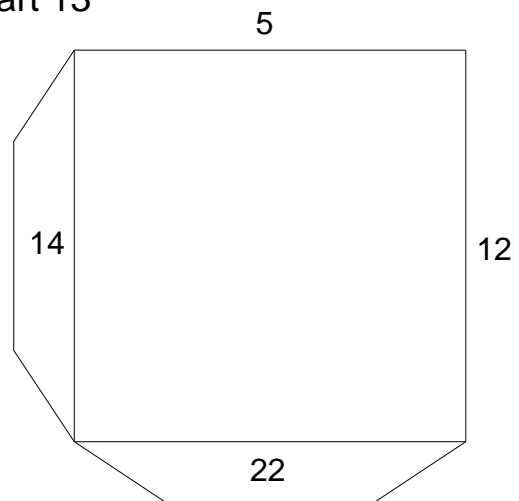
Part 8



Part 11



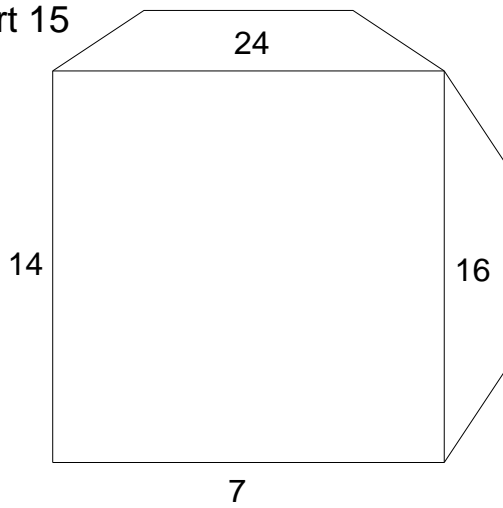
Part 13



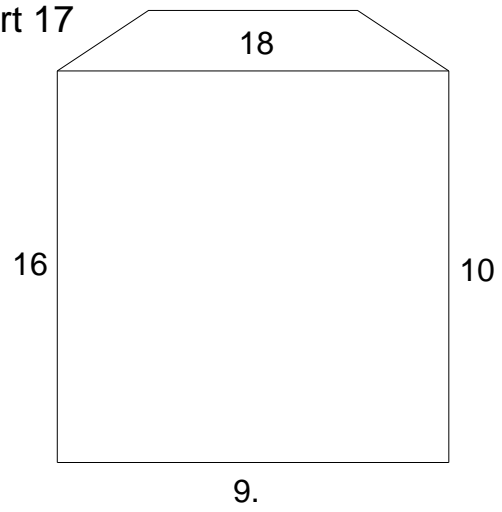
Truncated Cuboctahedron

Color 2

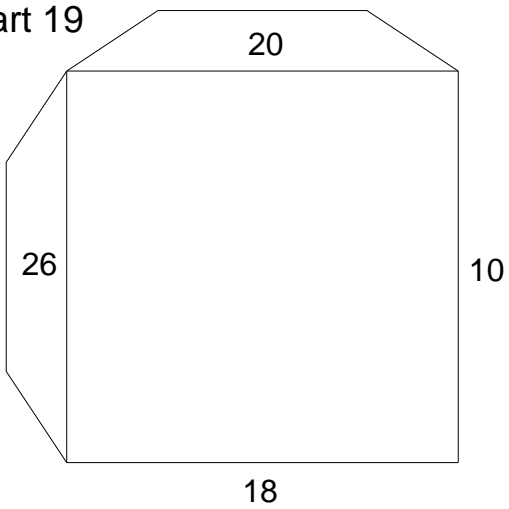
Part 15



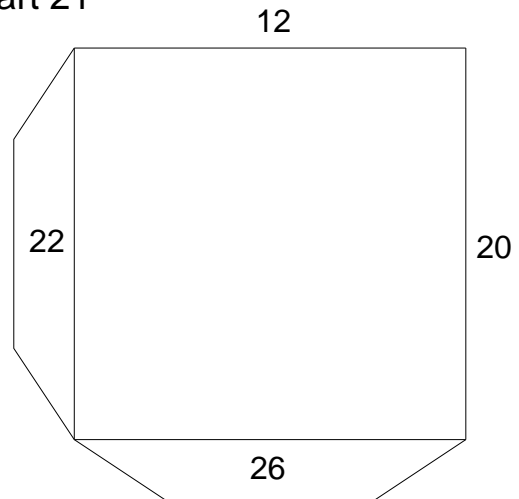
Part 17



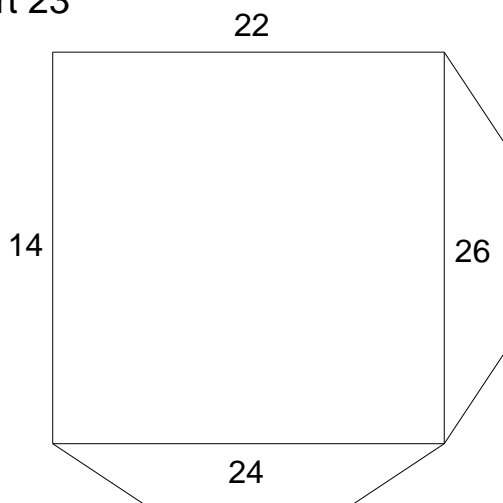
Part 19



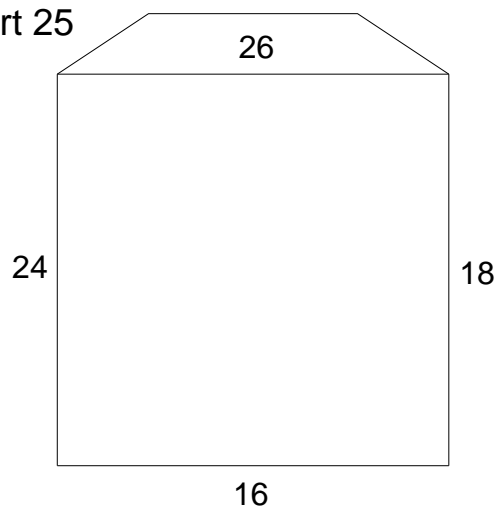
Part 21



Part 23

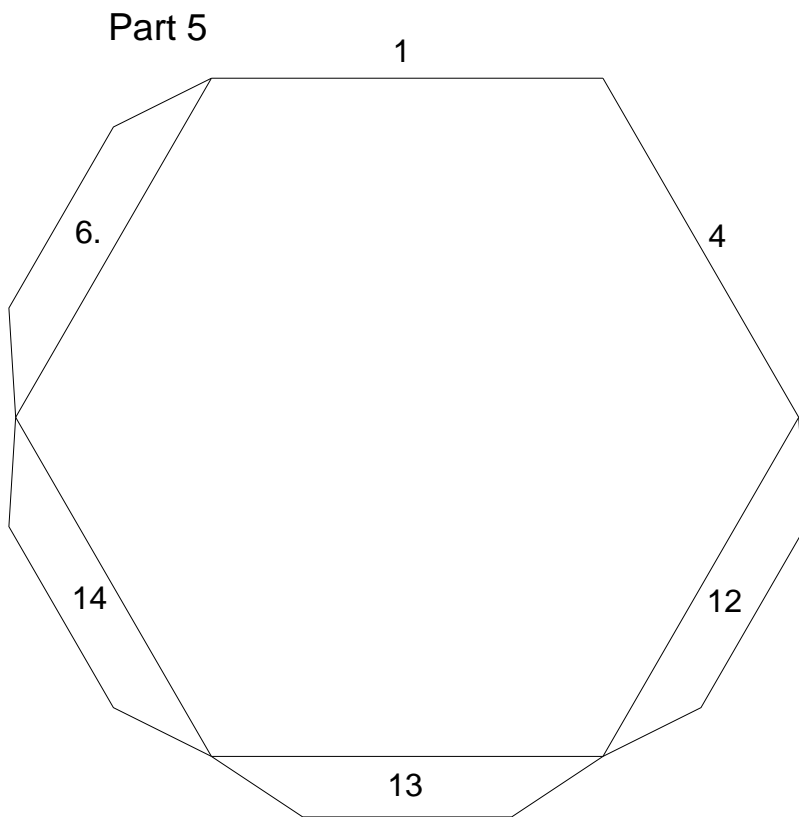
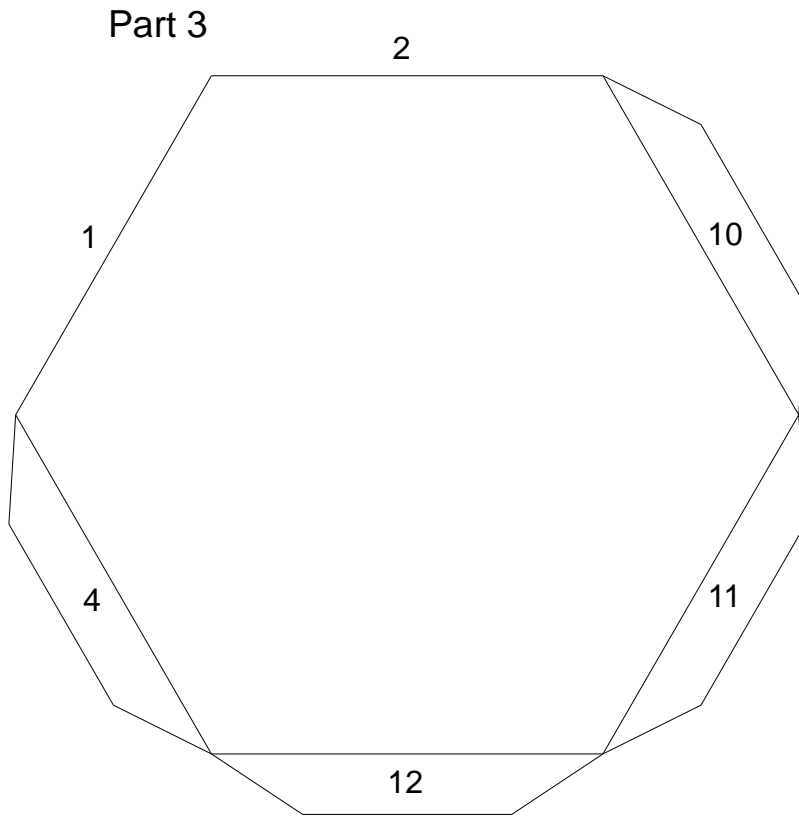


Part 25



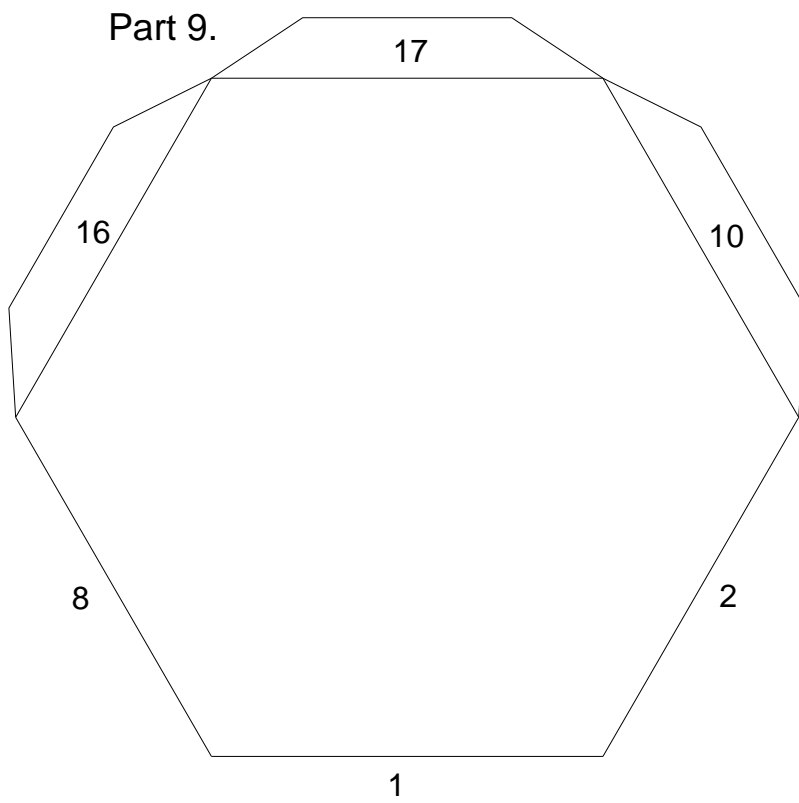
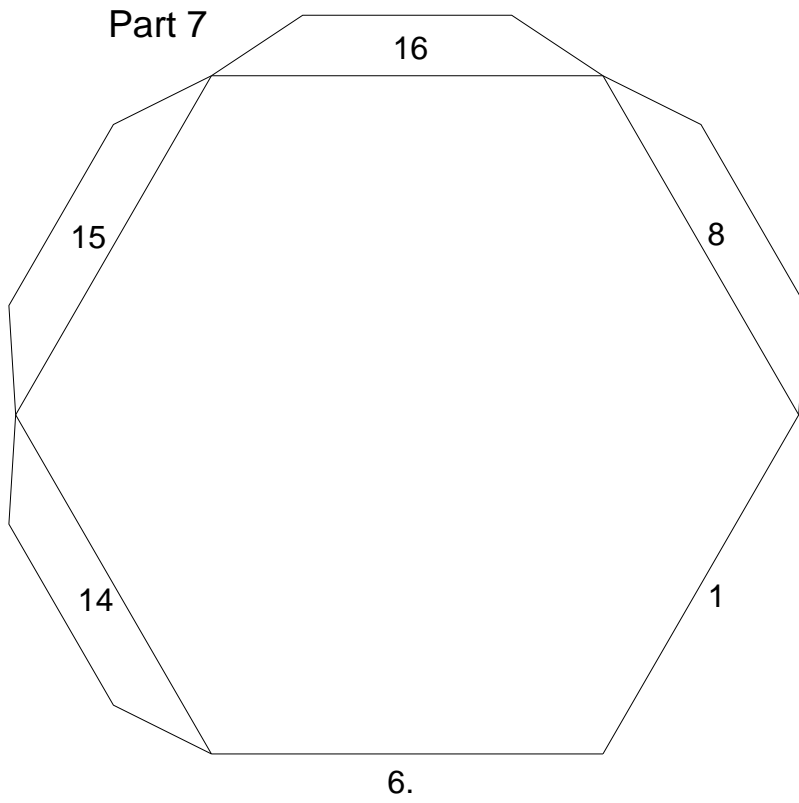
Truncated Cuboctahedron

Color 3



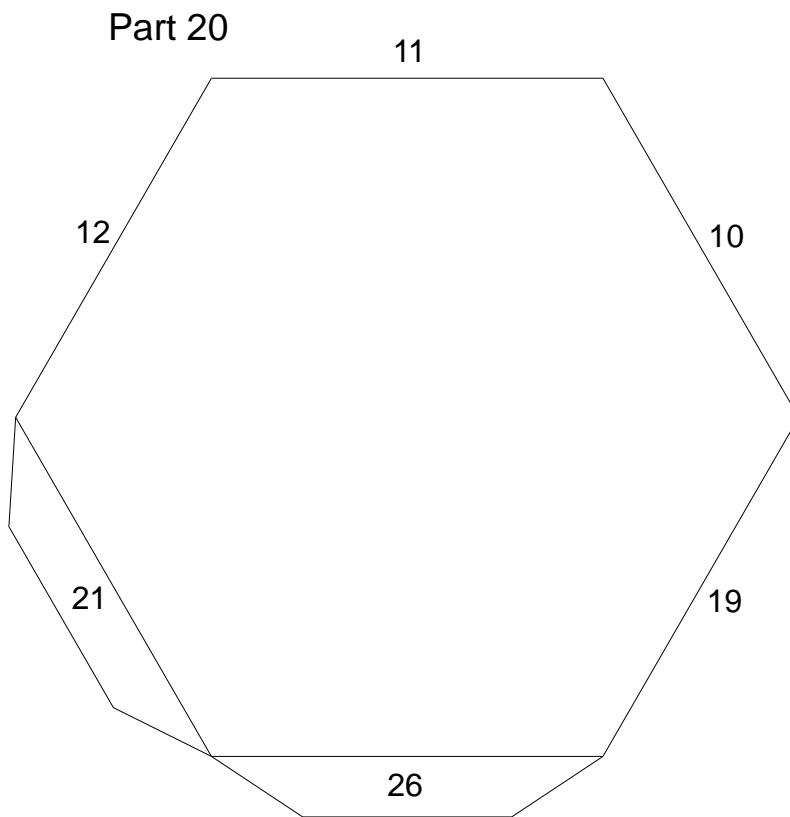
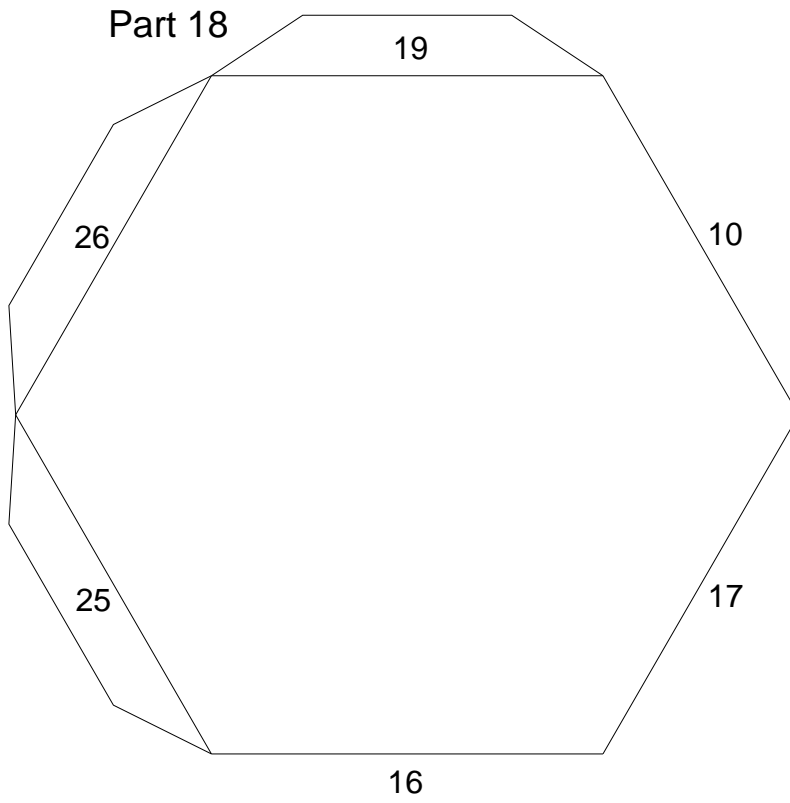
Truncated Cuboctahedron

Color 3



Truncated Cuboctahedron

Color 3



Truncated Cuboctahedron

Color 3

