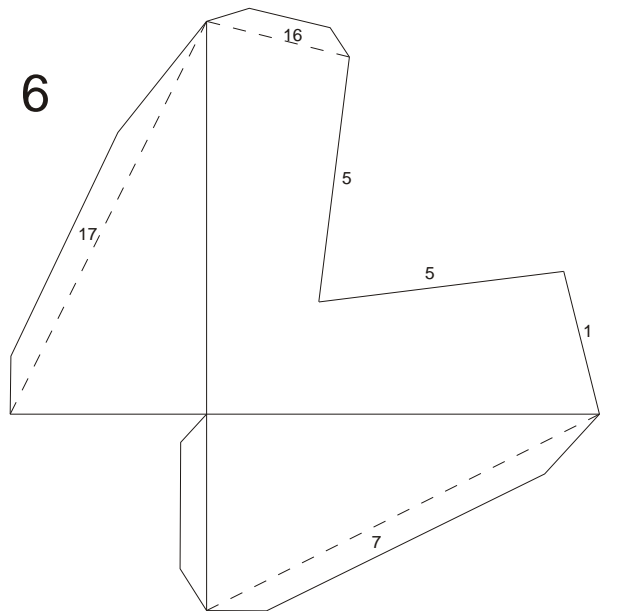
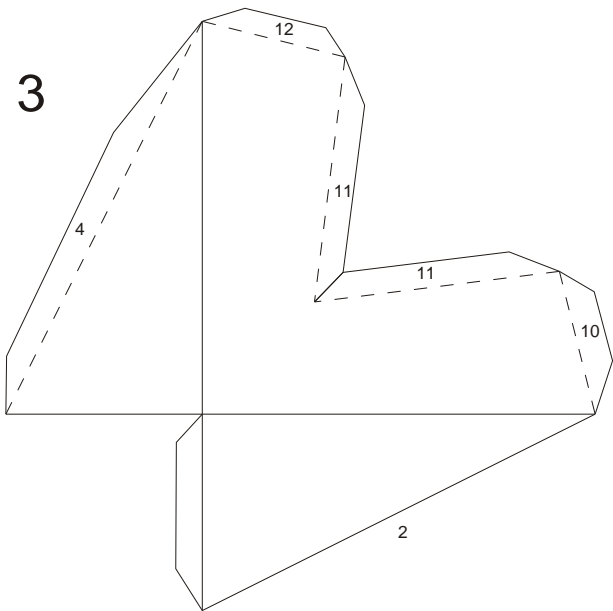
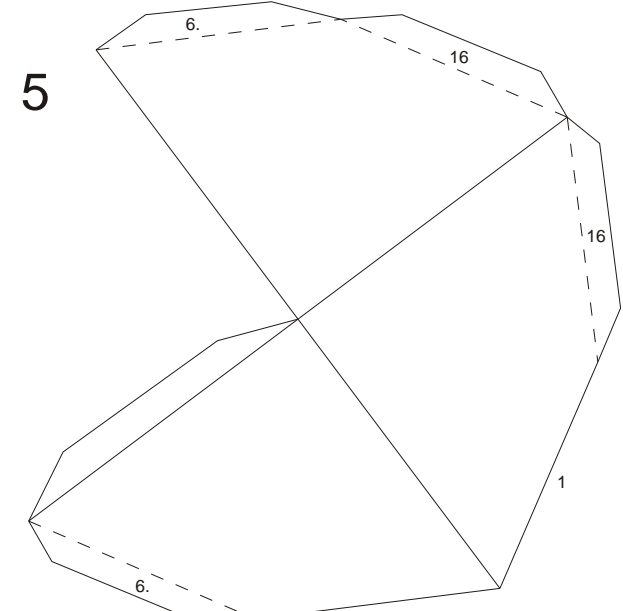
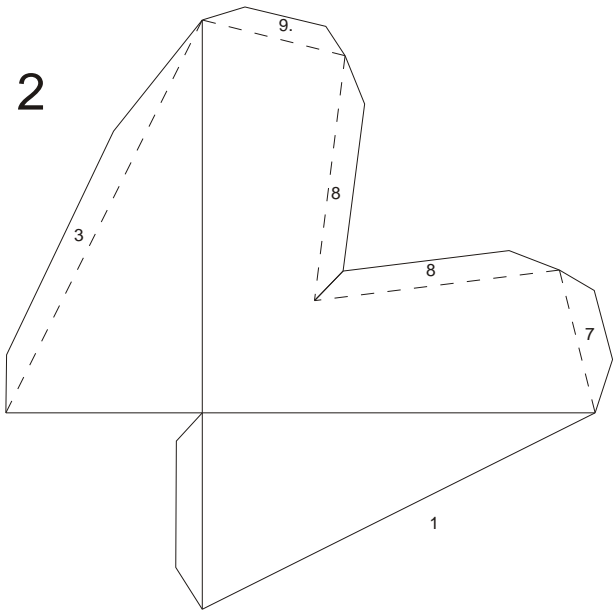
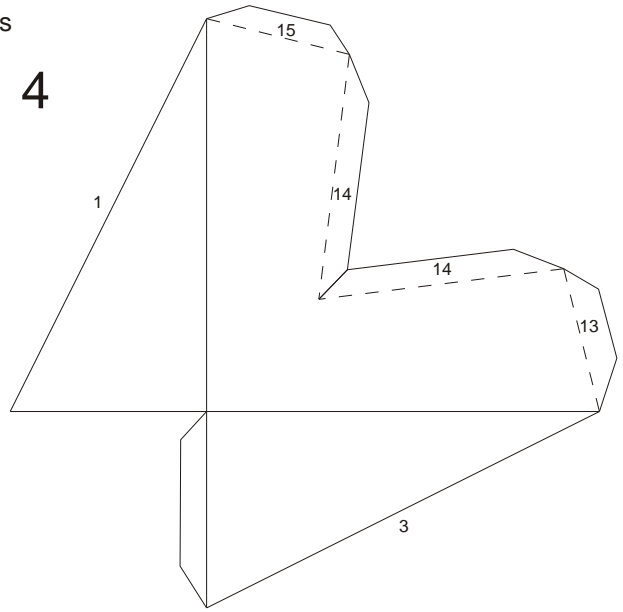
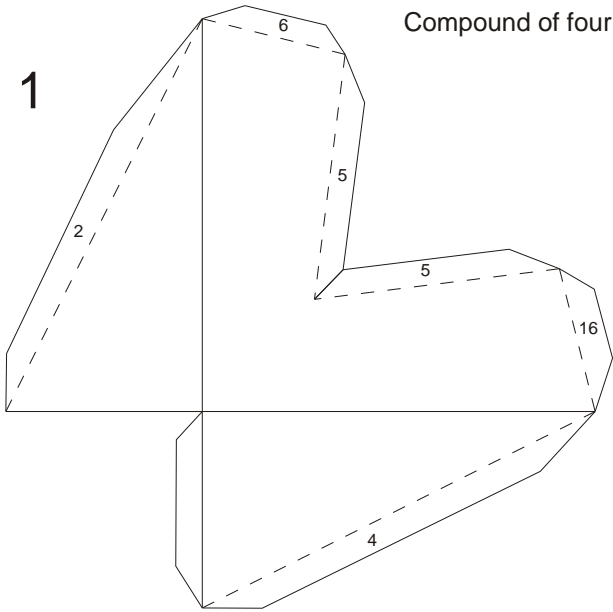
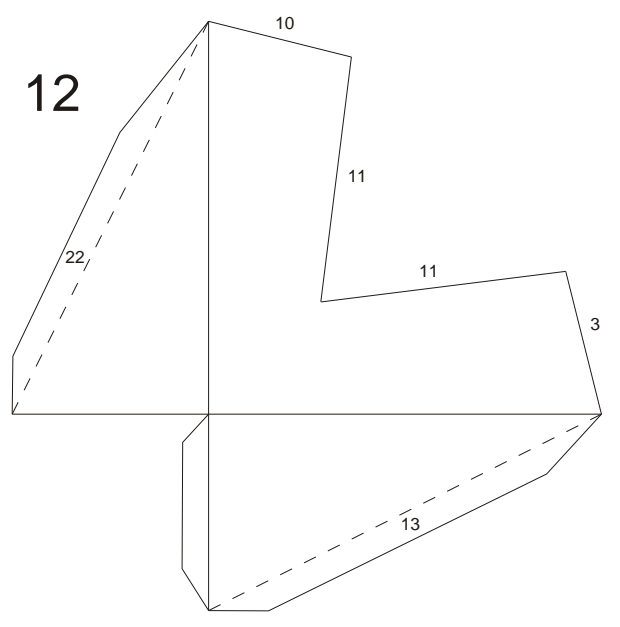
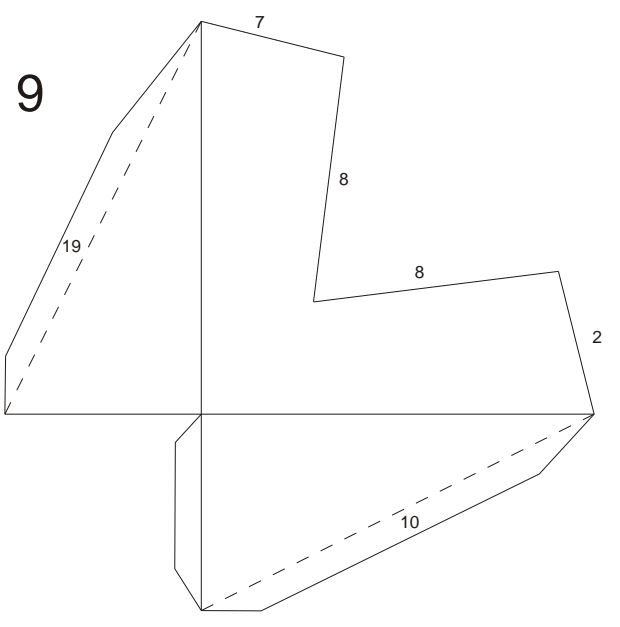
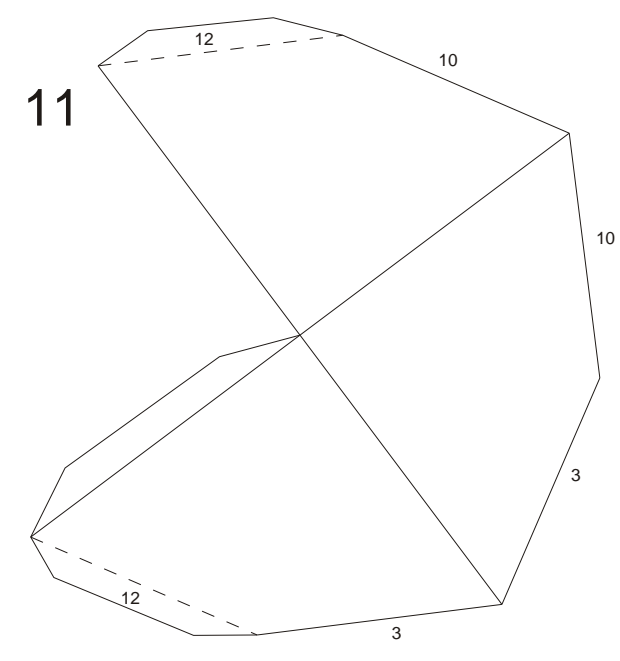
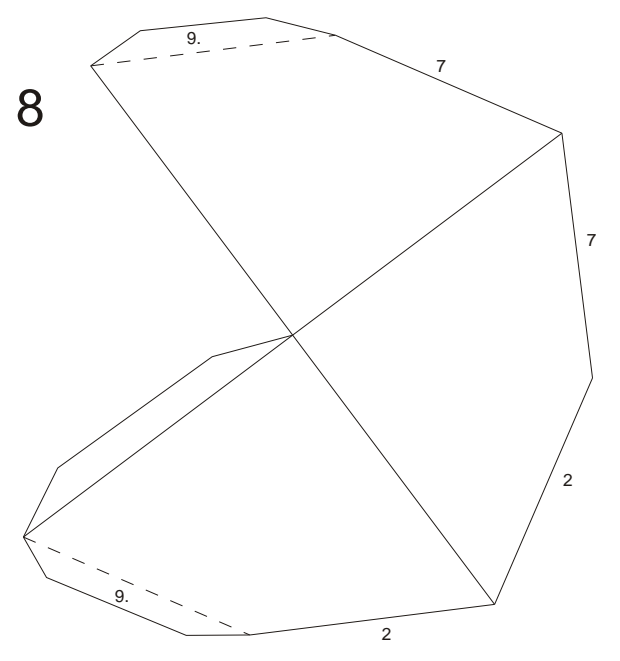
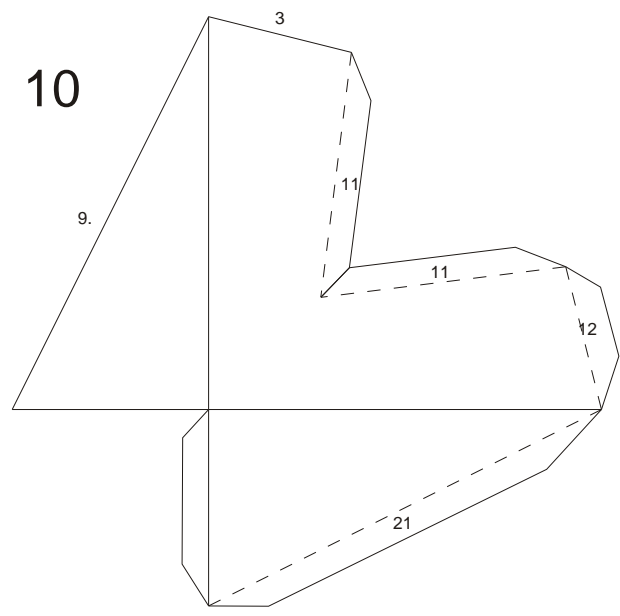
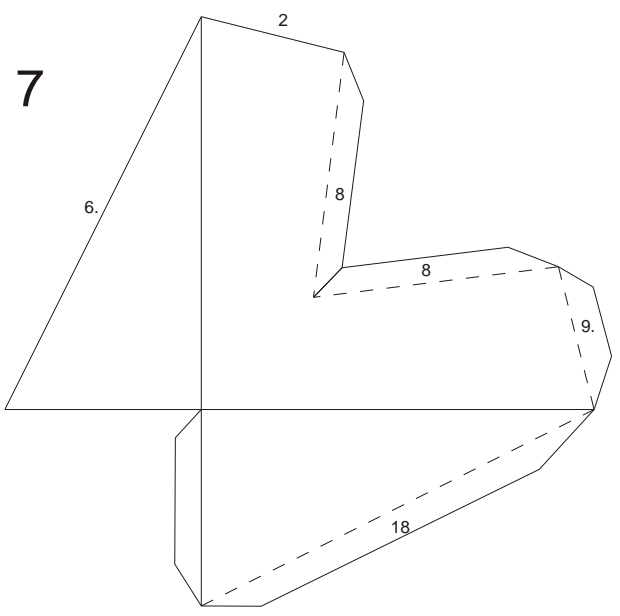


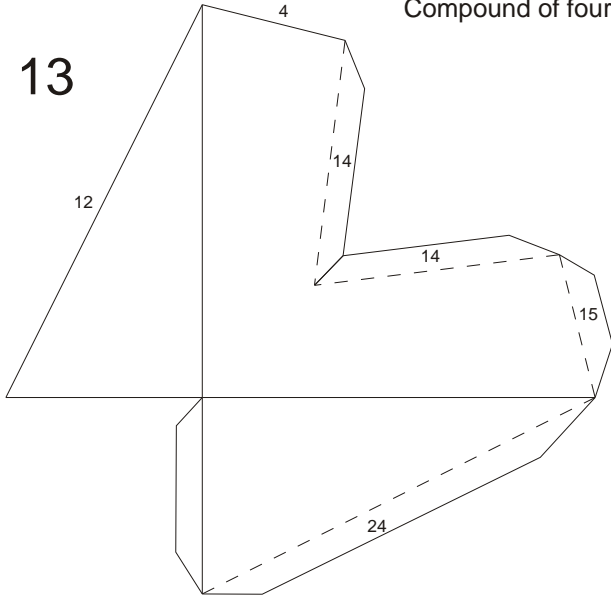
Compound of four cubes



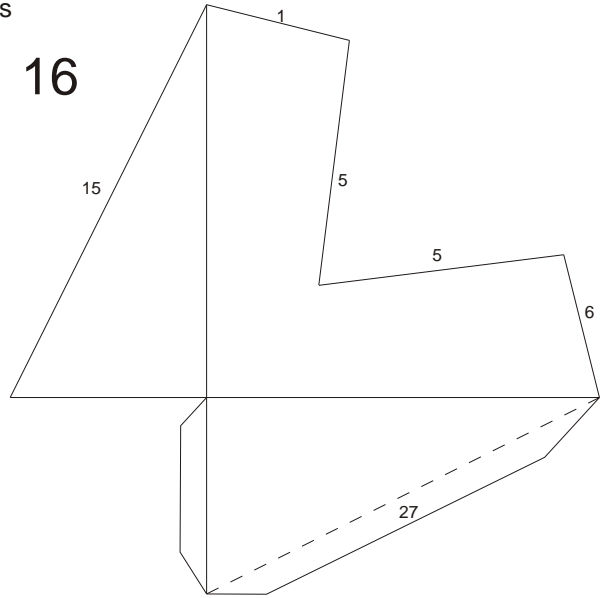


Compound of four cubes

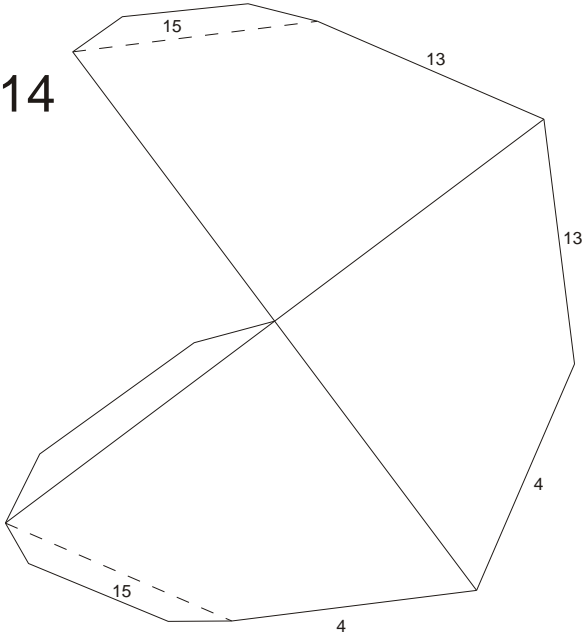
13



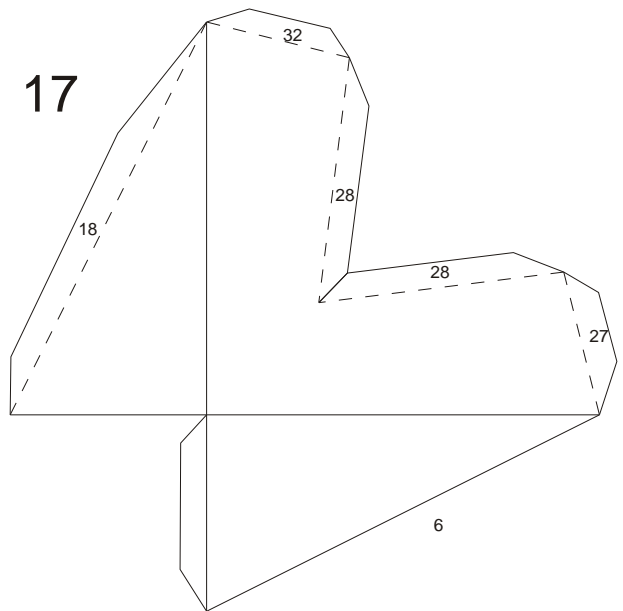
16



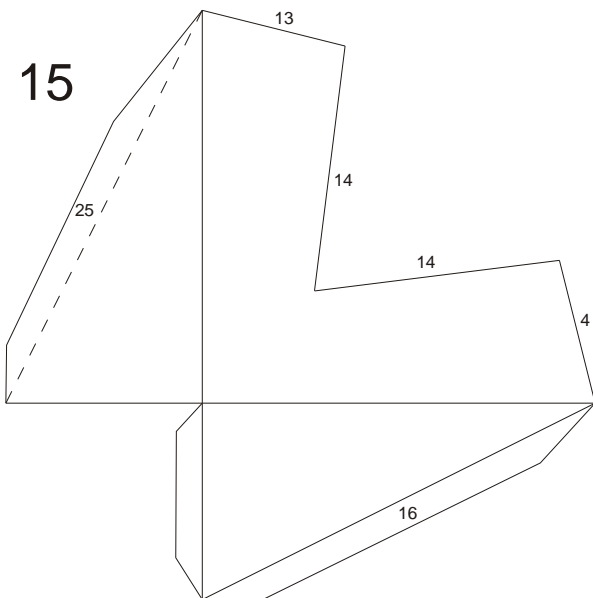
14



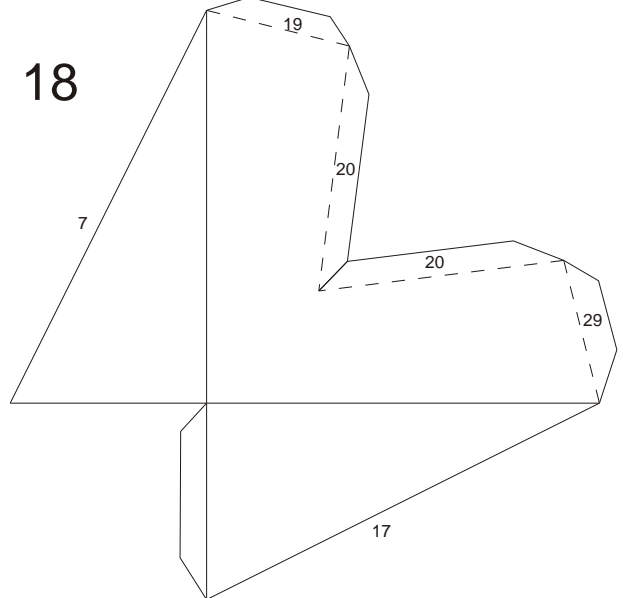
17

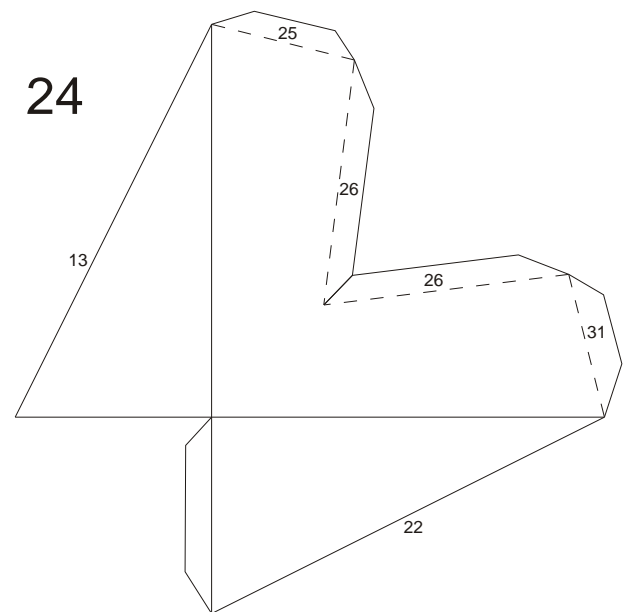
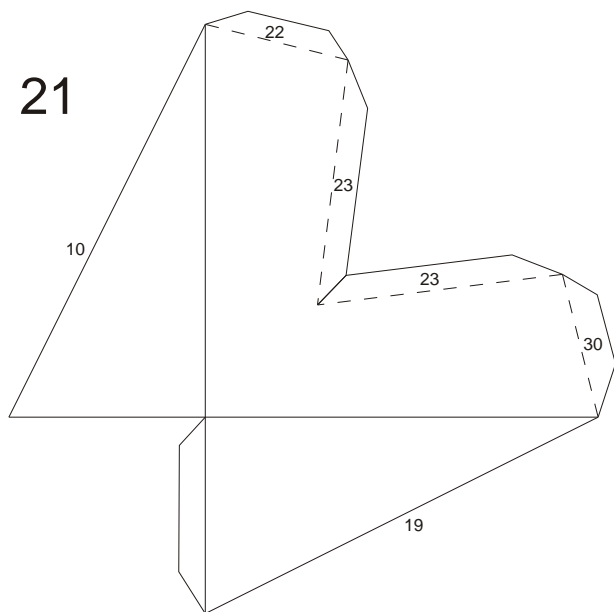
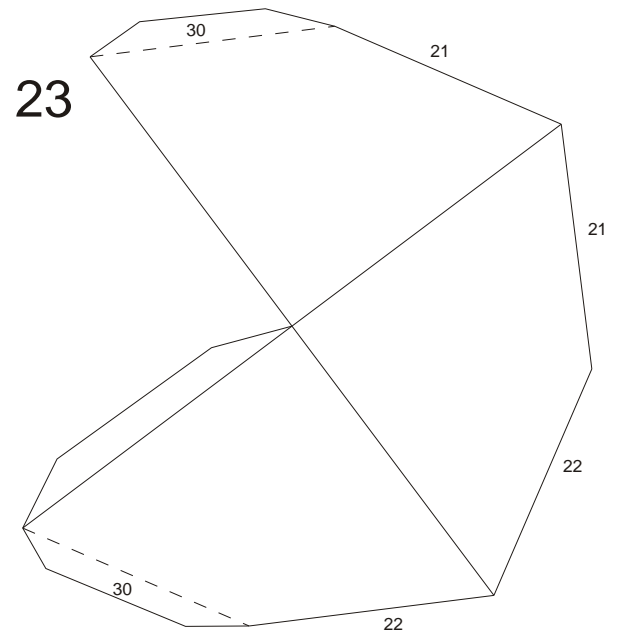
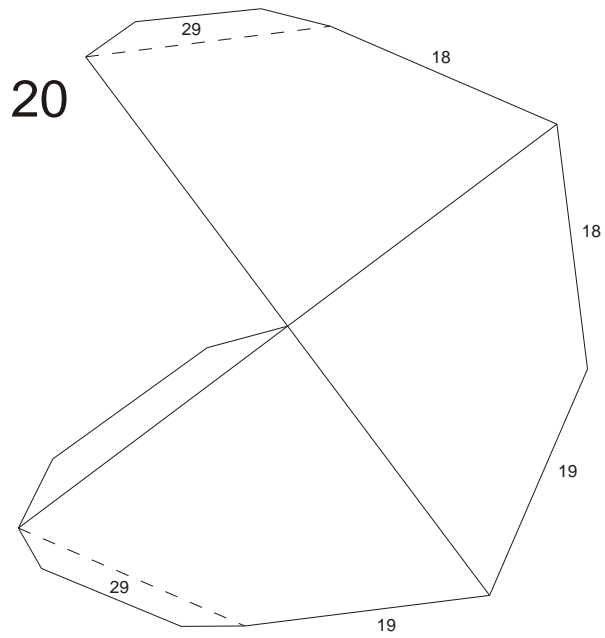
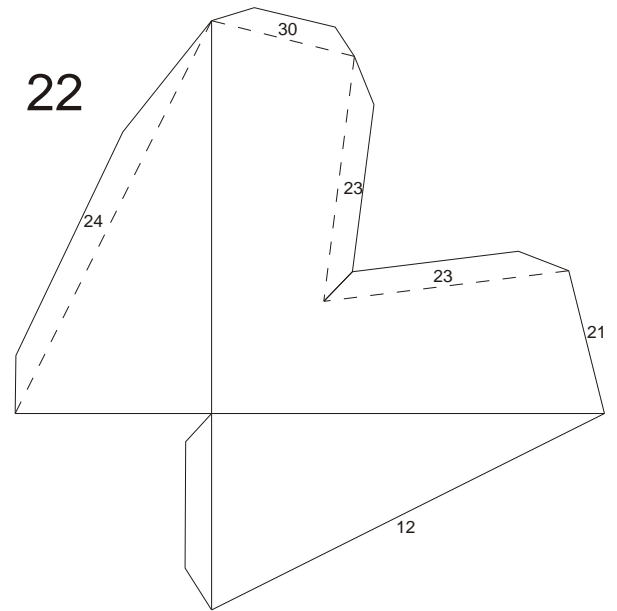
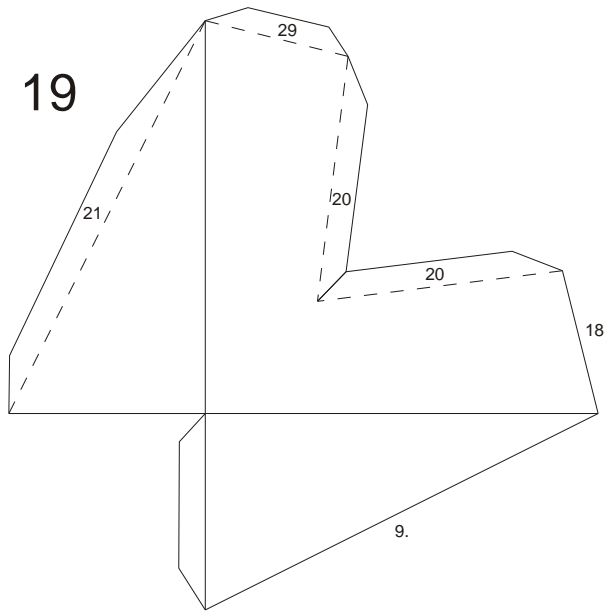


15

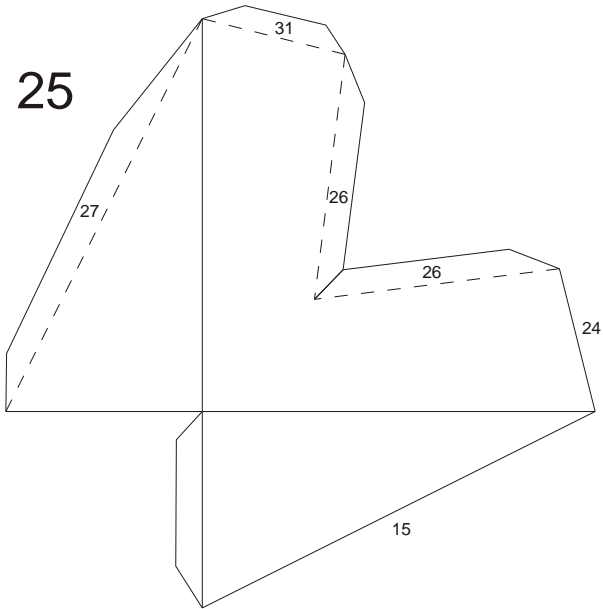


18

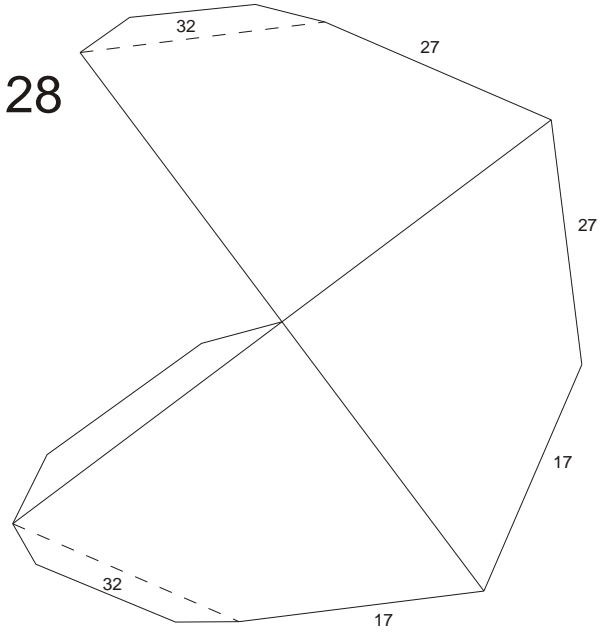




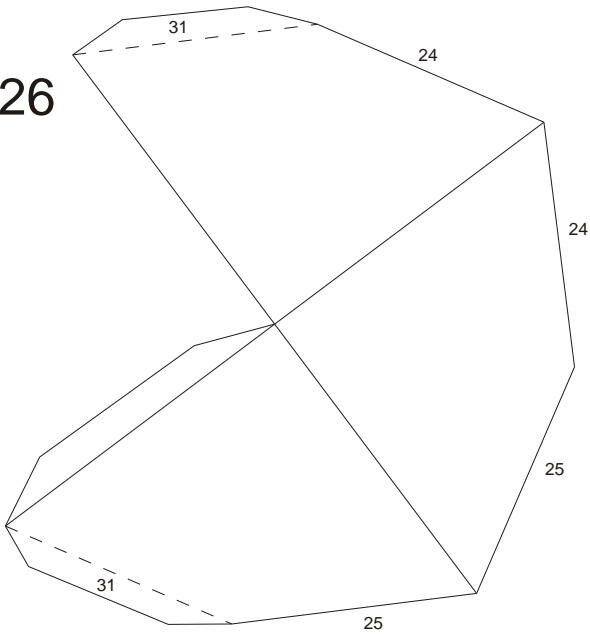
25



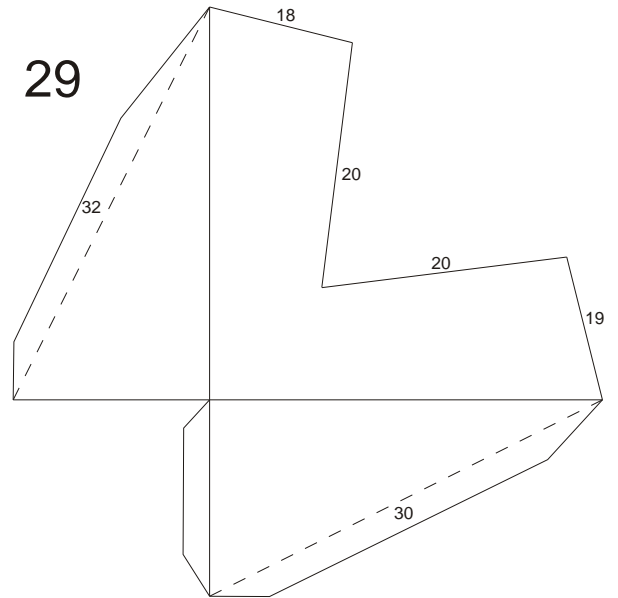
28



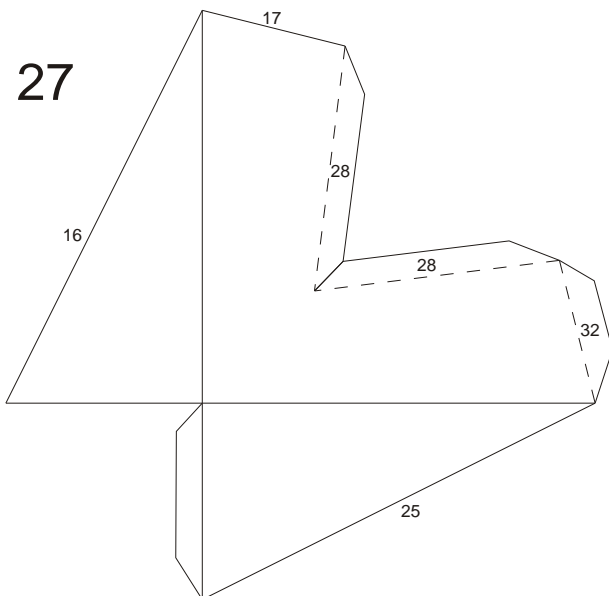
26



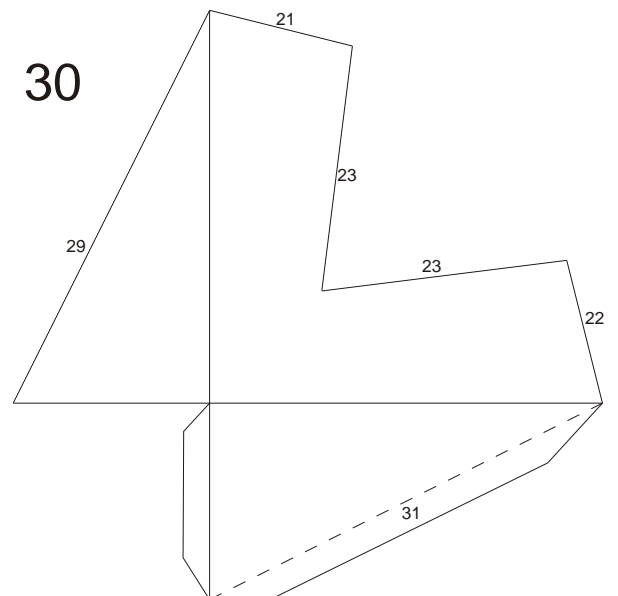
29



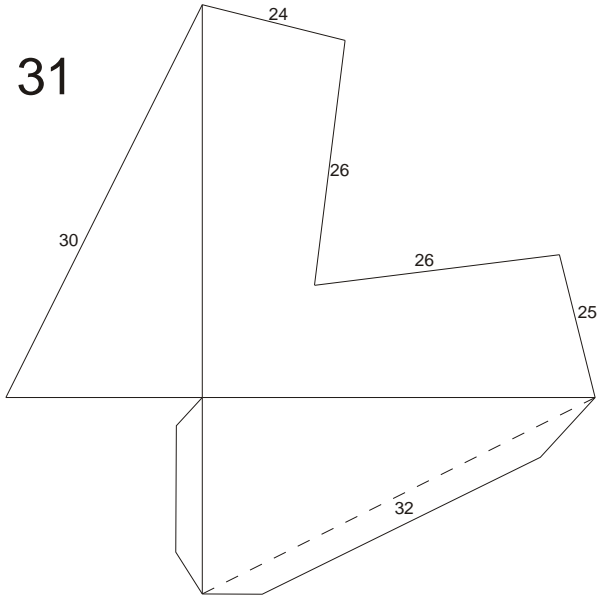
27



30



31



32

