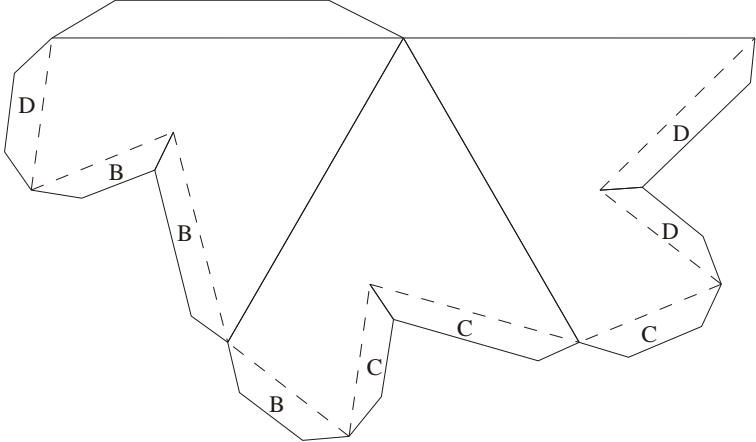


Compound of five Tetrahedra

A

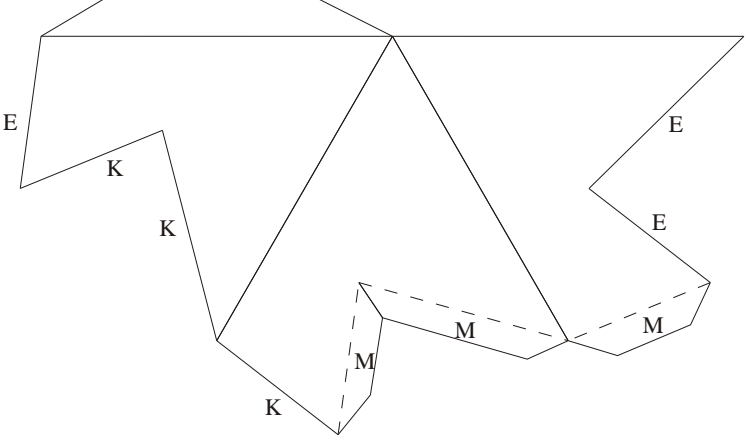
If you print on paper in five different colors each tetrahedron gets a different color



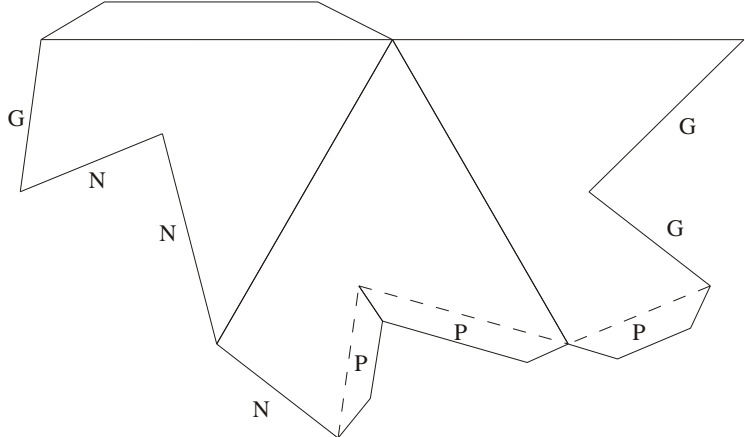
Color 1

Fold the dotted lines forwards
Fold the other lines backwards

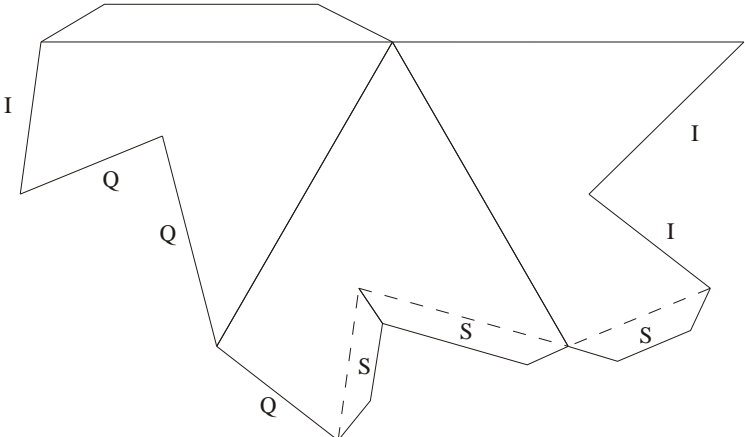
L



O

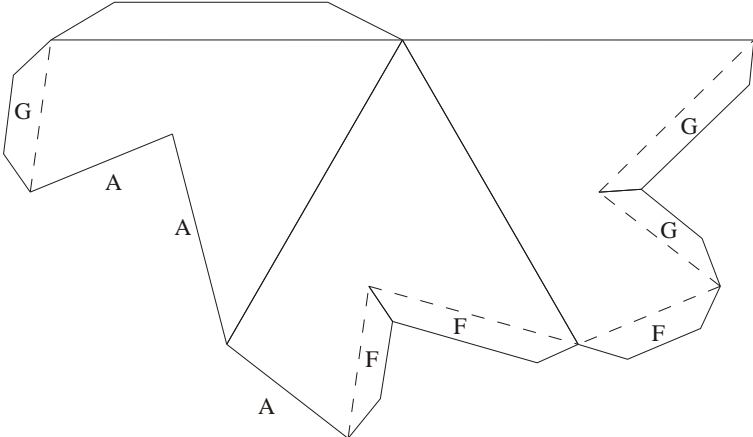


R

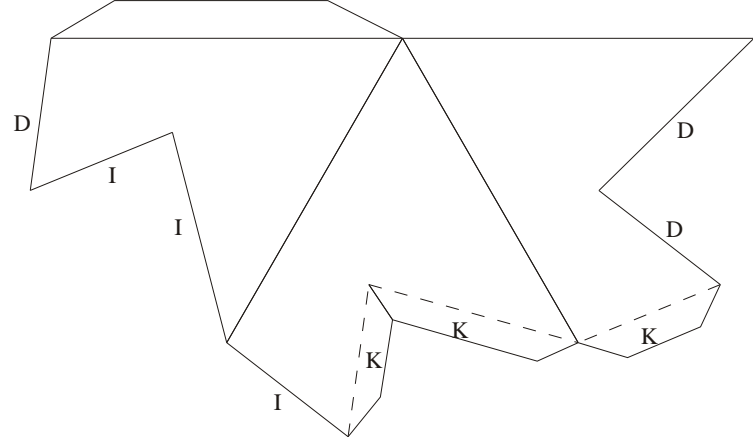


Color 2

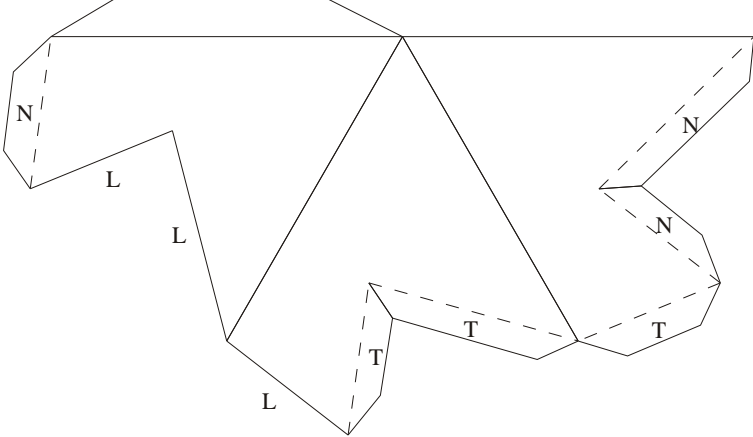
B



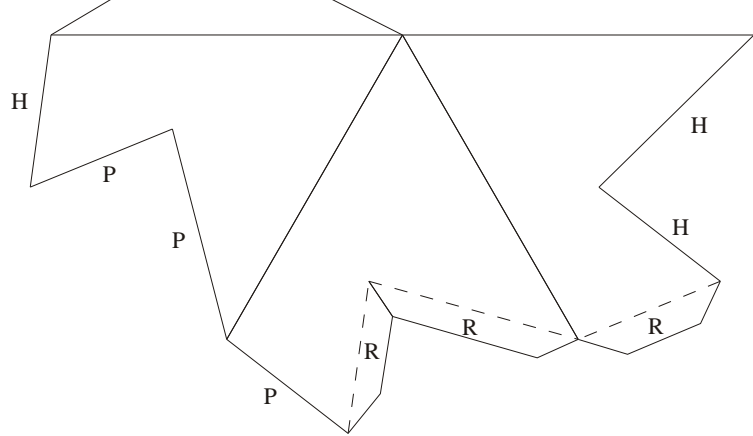
J



M

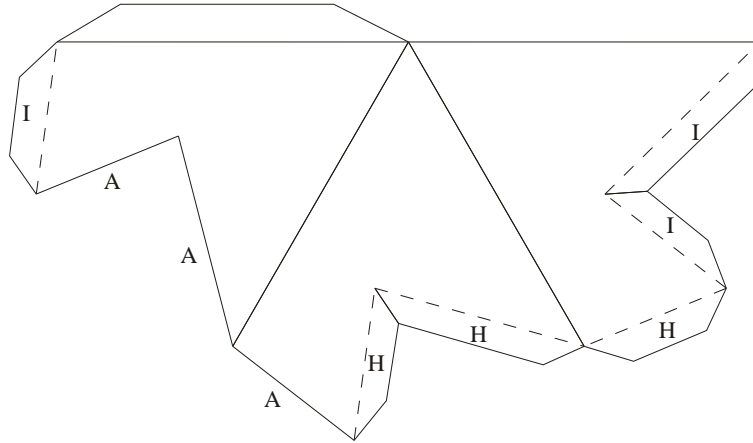


Q

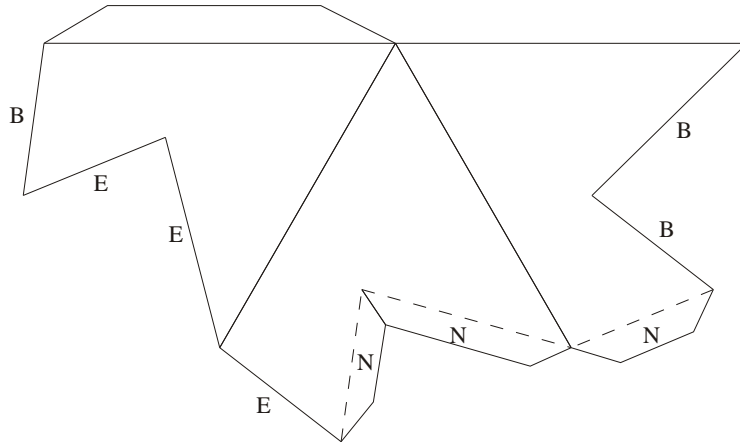


Color 3

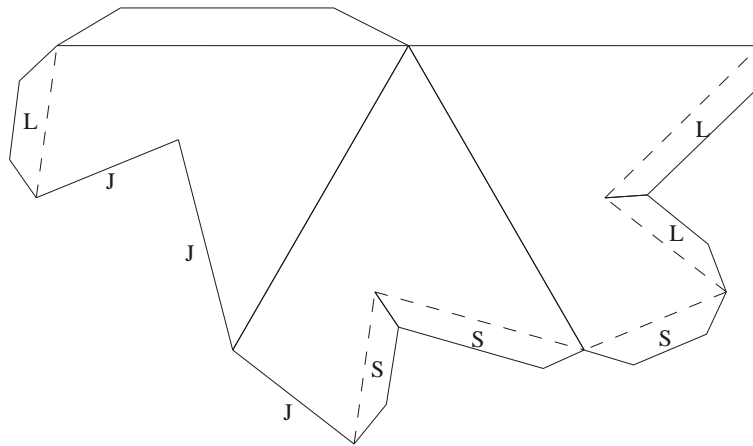
C



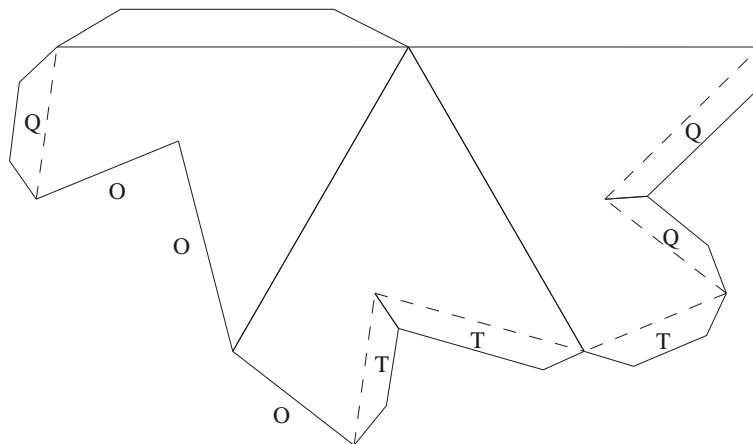
F



K

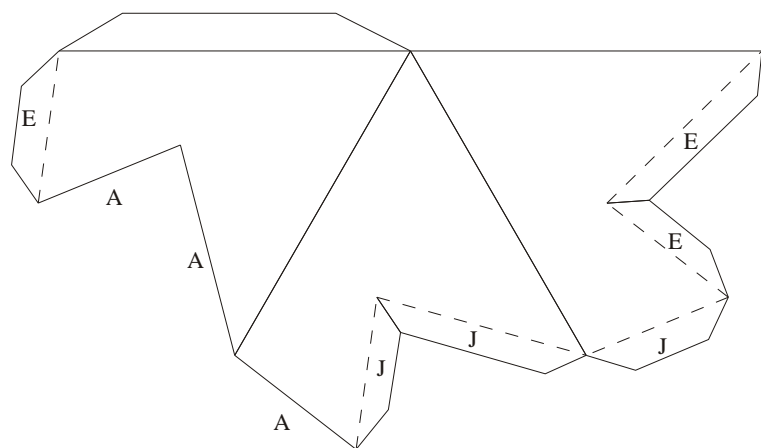


P

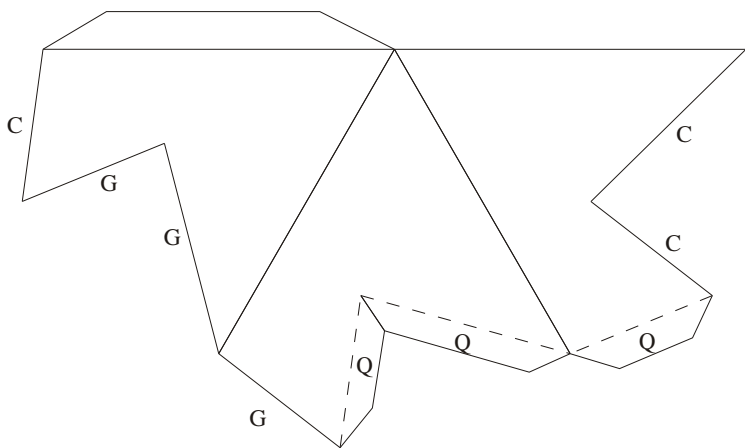


Color 4

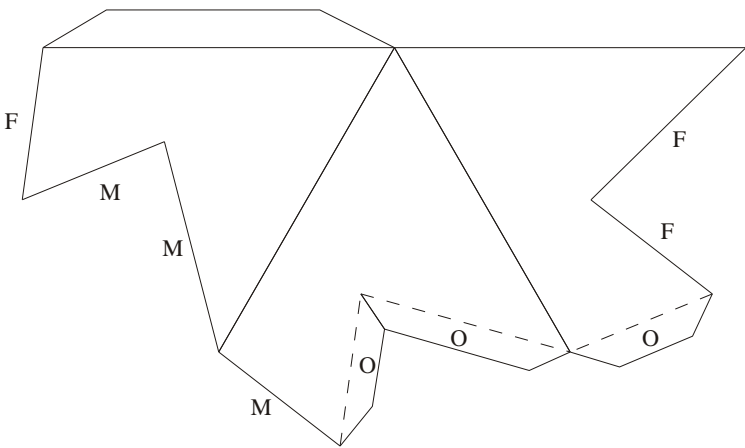
D



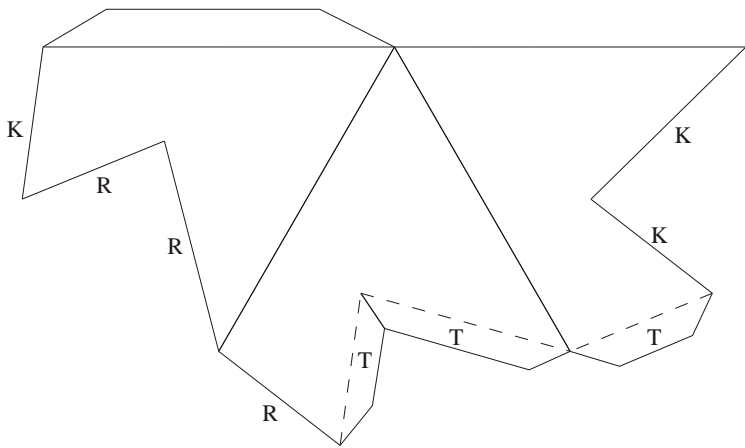
H



N

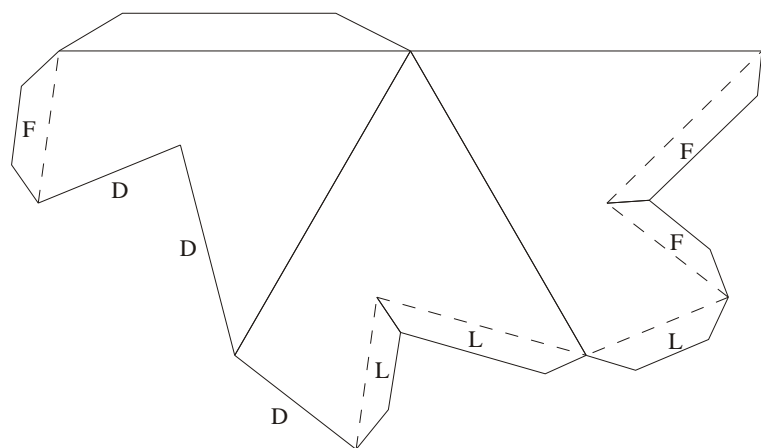


S

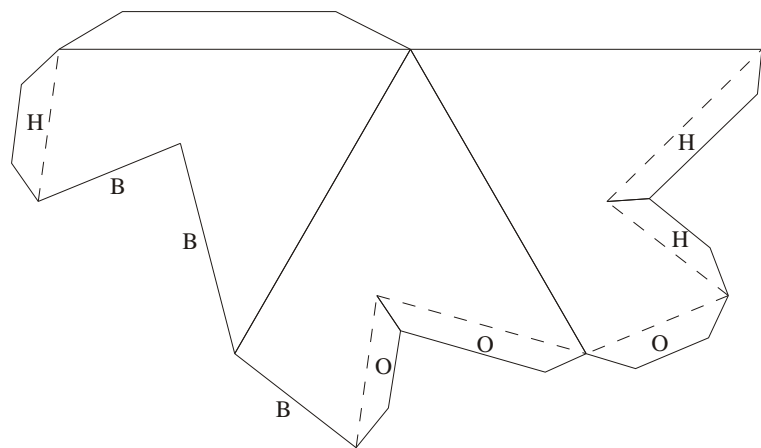


Color 5

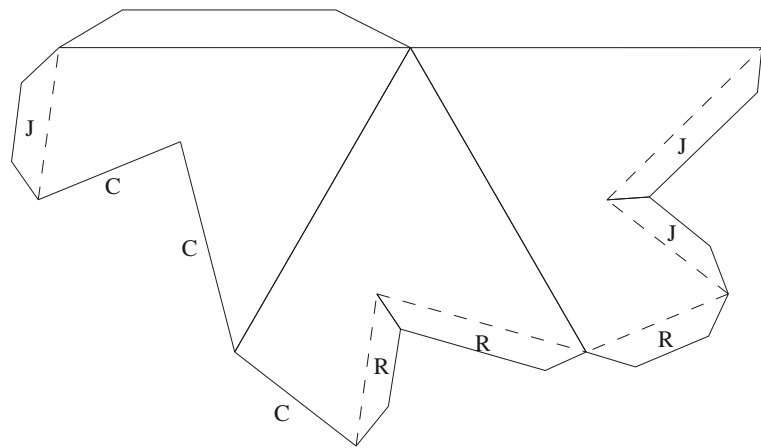
E



G



I



T

