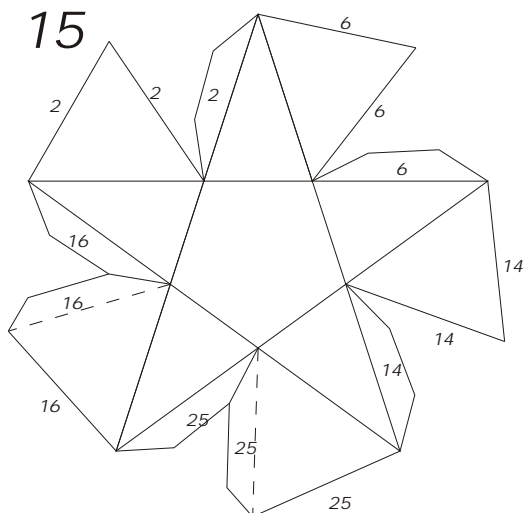
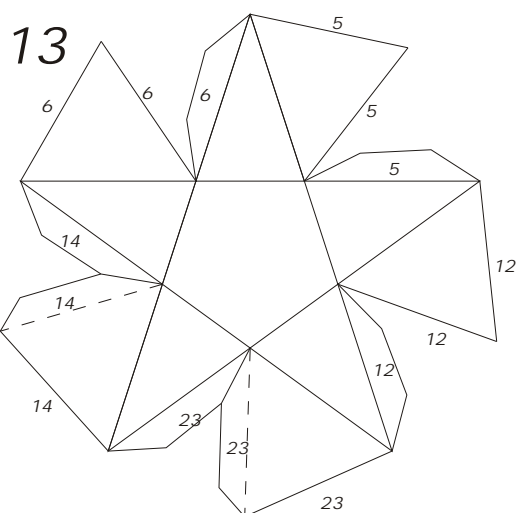
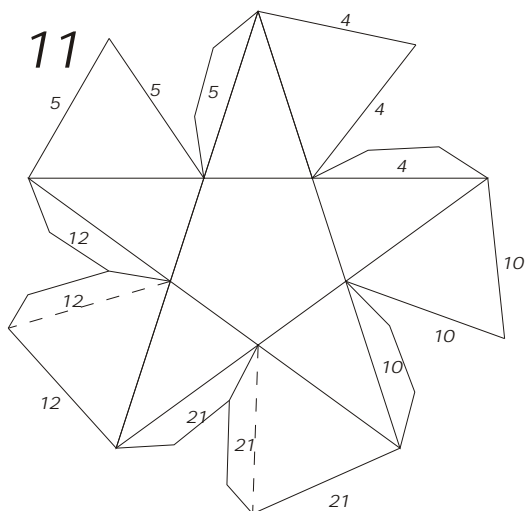
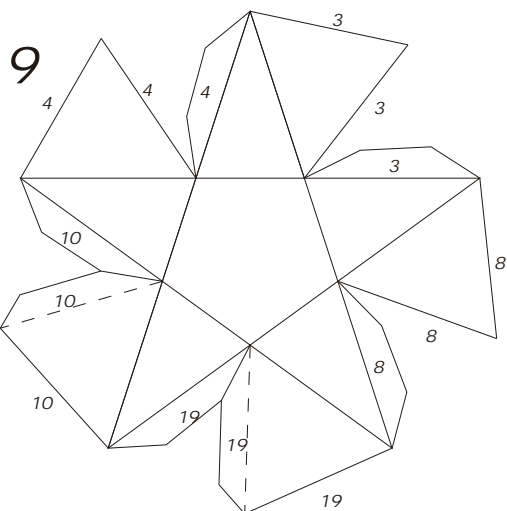
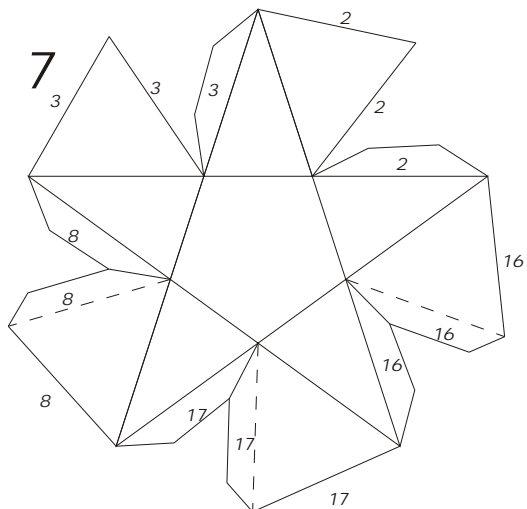
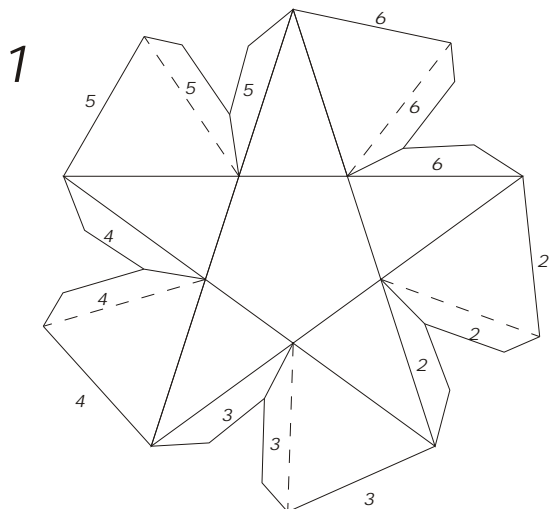
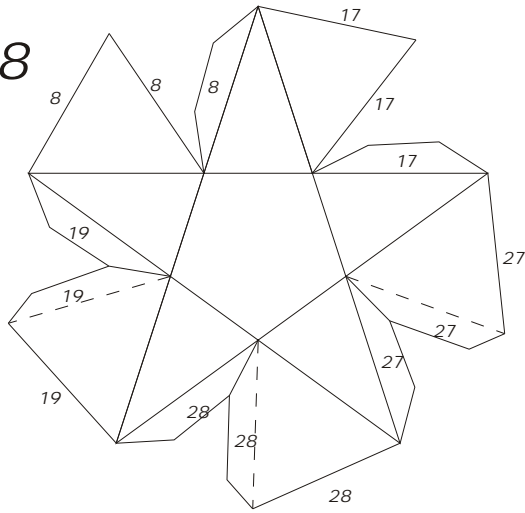


Small Snub Icosicosidodecahedron

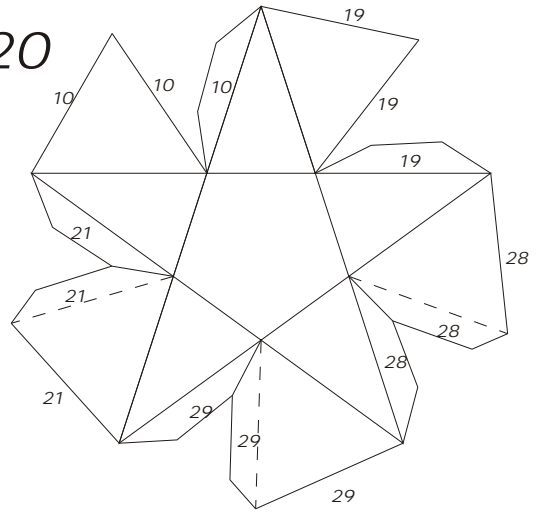


*Fold the dotted lines forwards
Fold the other lines backwards*

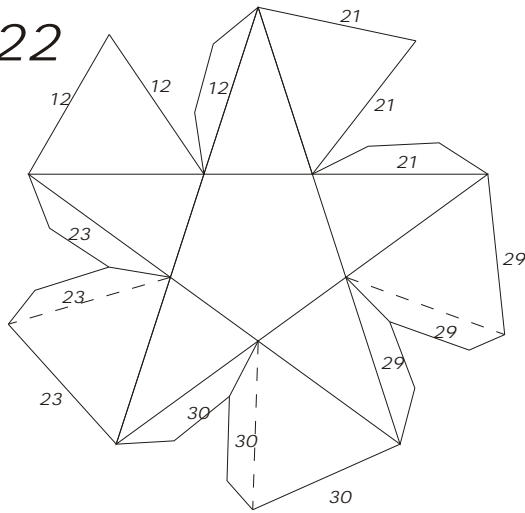
18



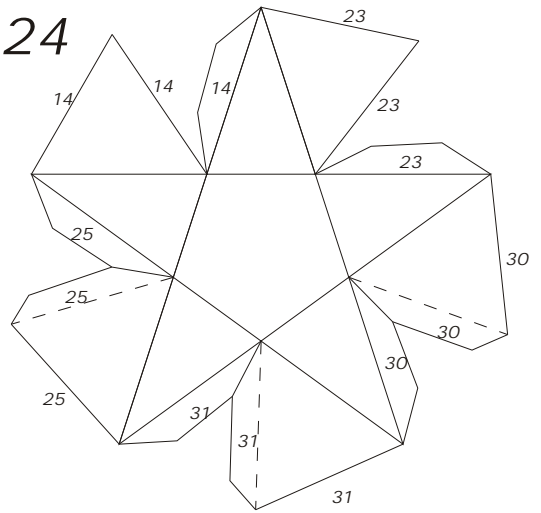
20



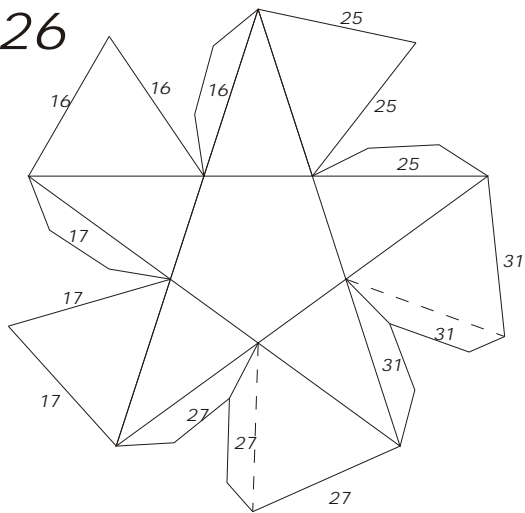
22



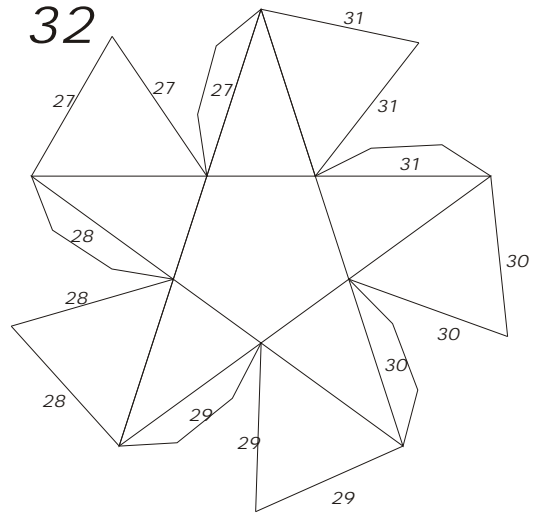
24



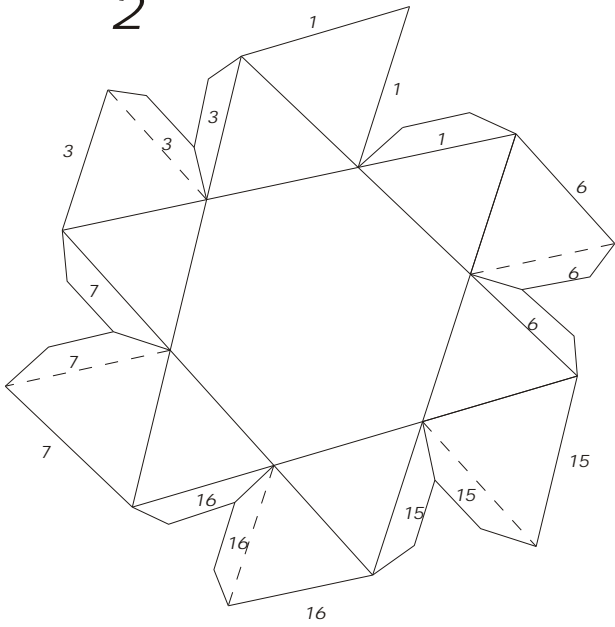
26



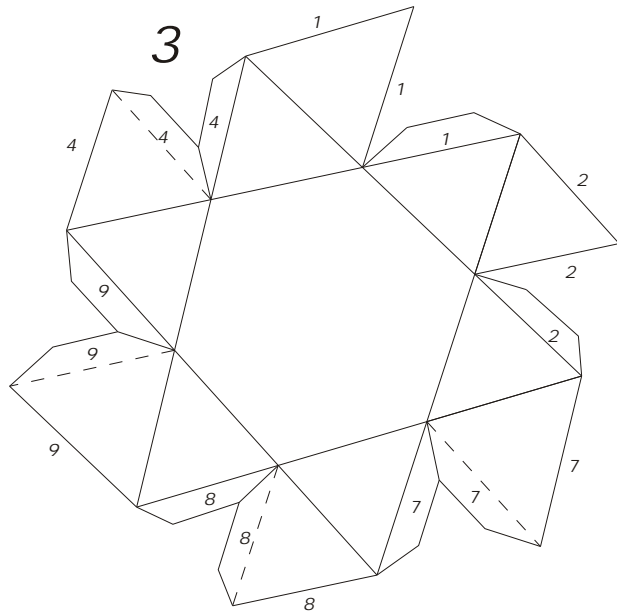
32



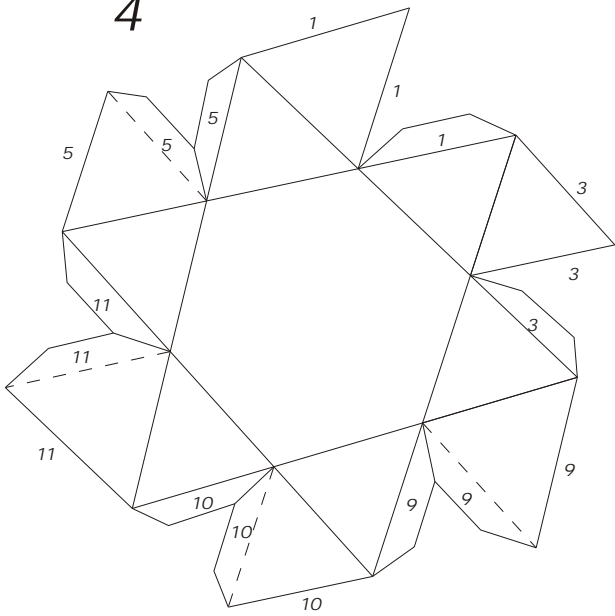
2



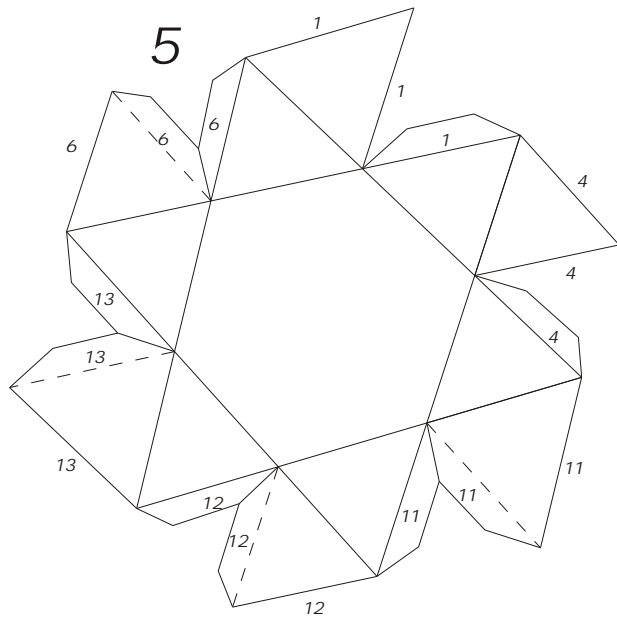
3



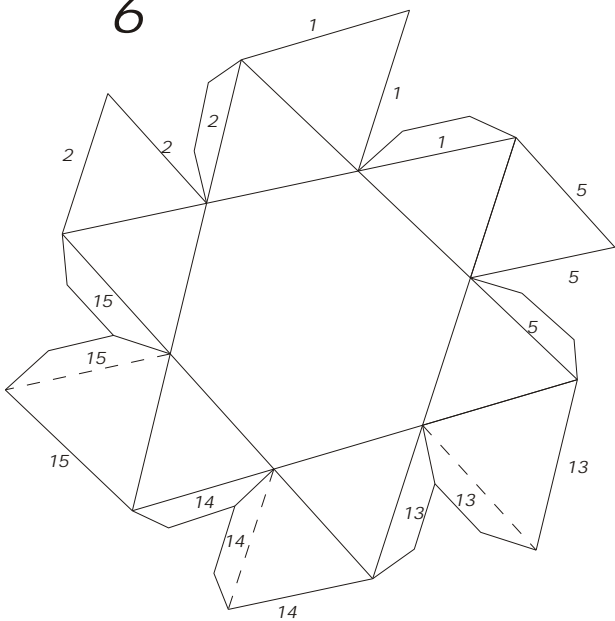
4



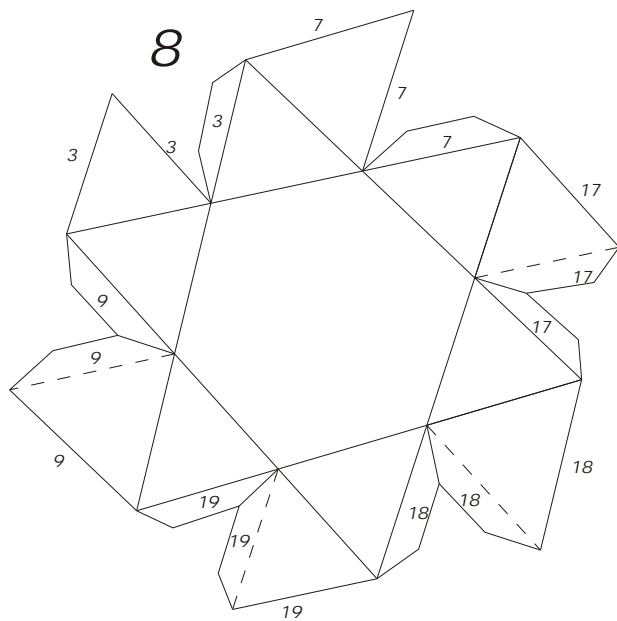
5



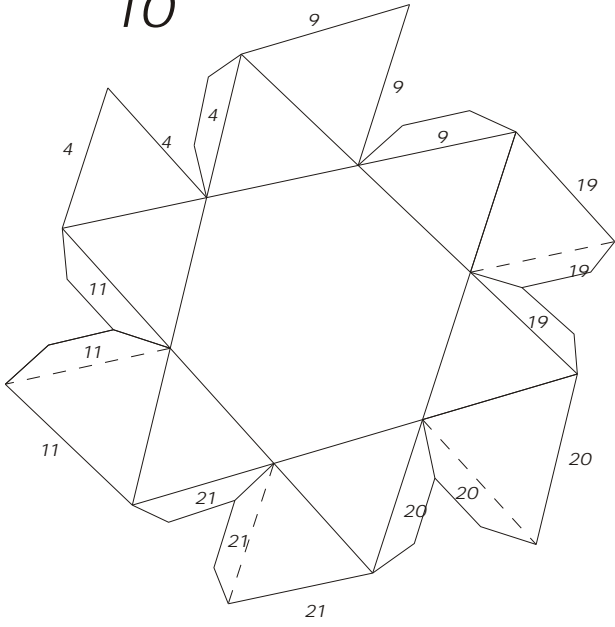
6



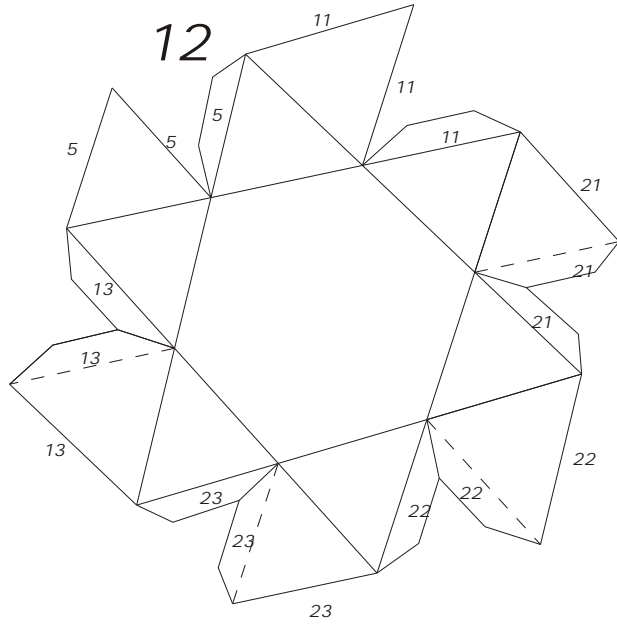
8



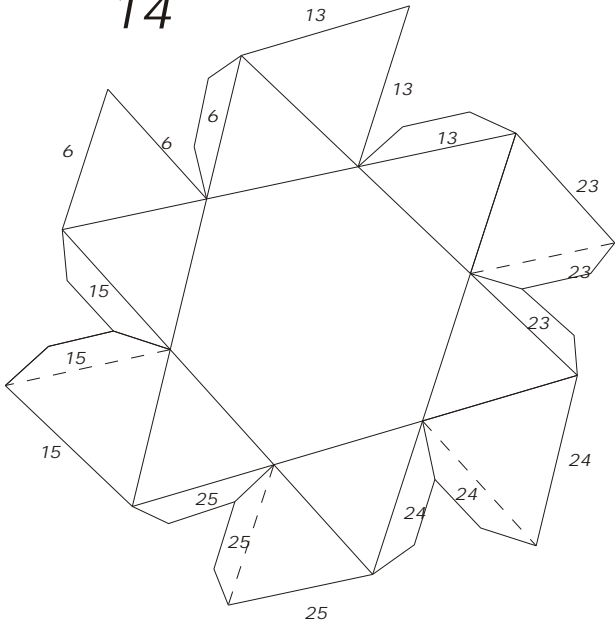
10



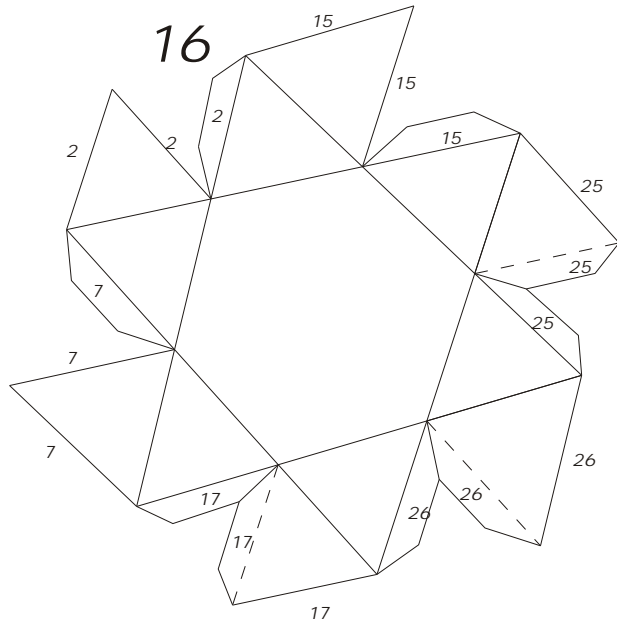
12



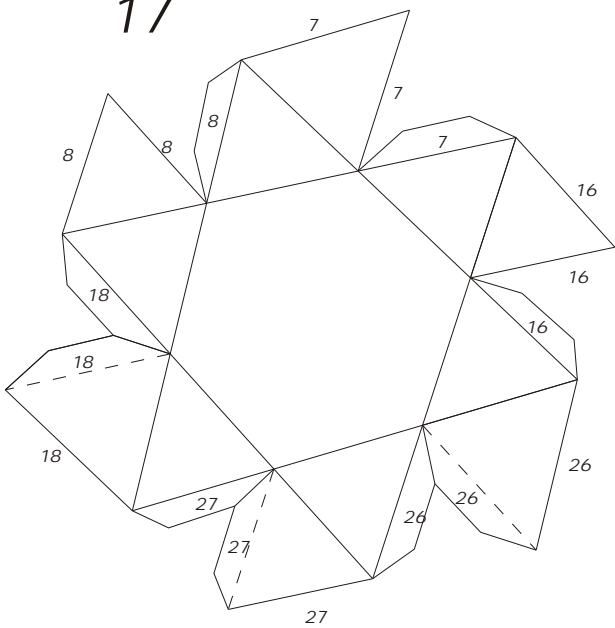
14



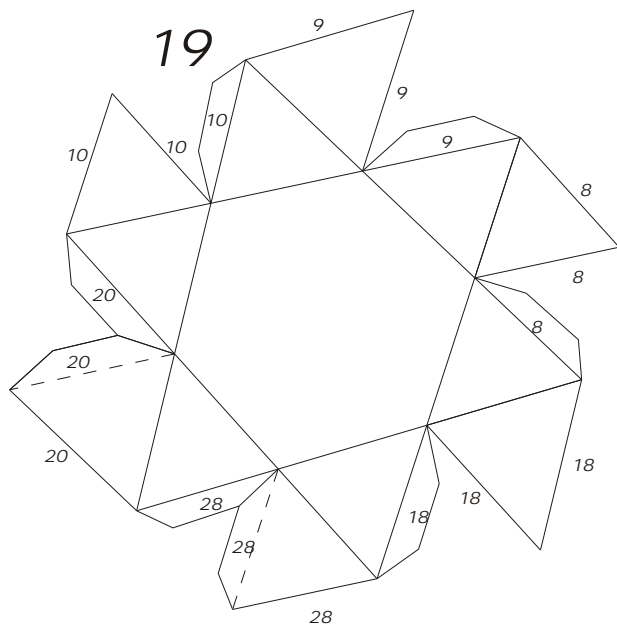
16



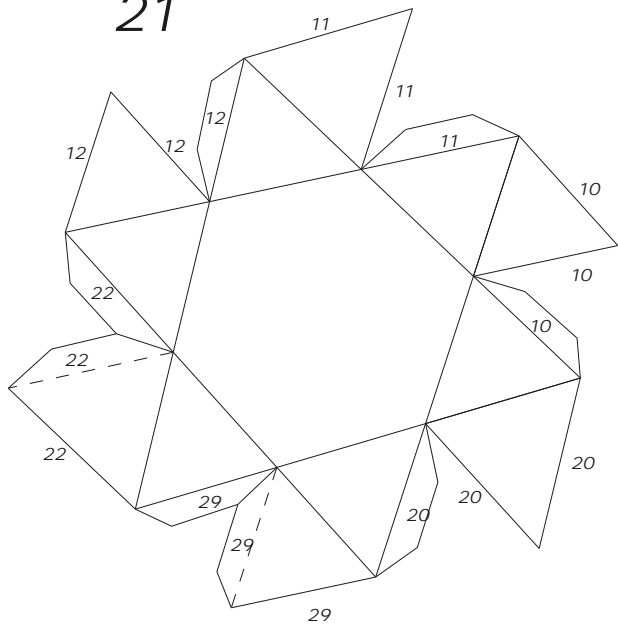
17



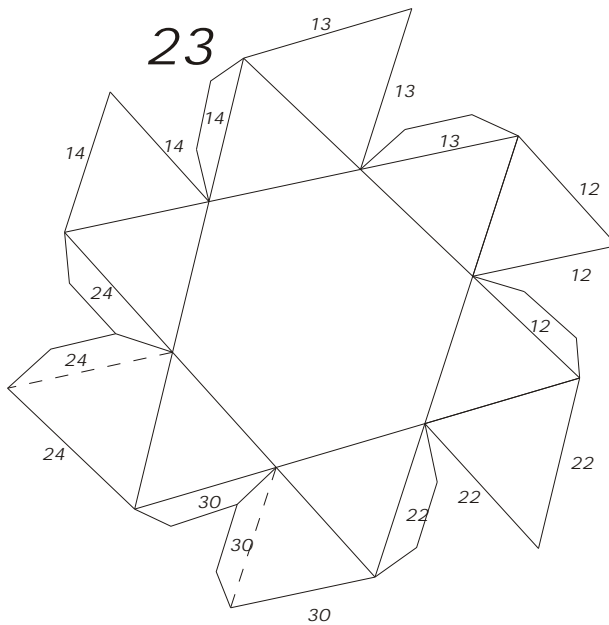
19



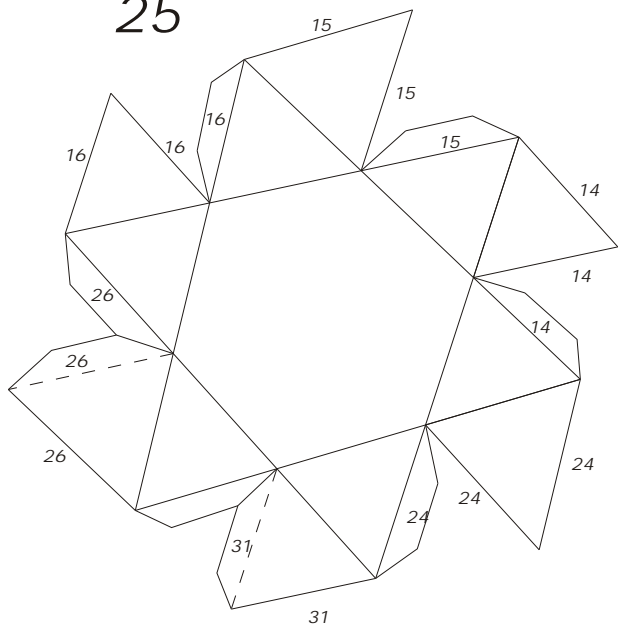
21



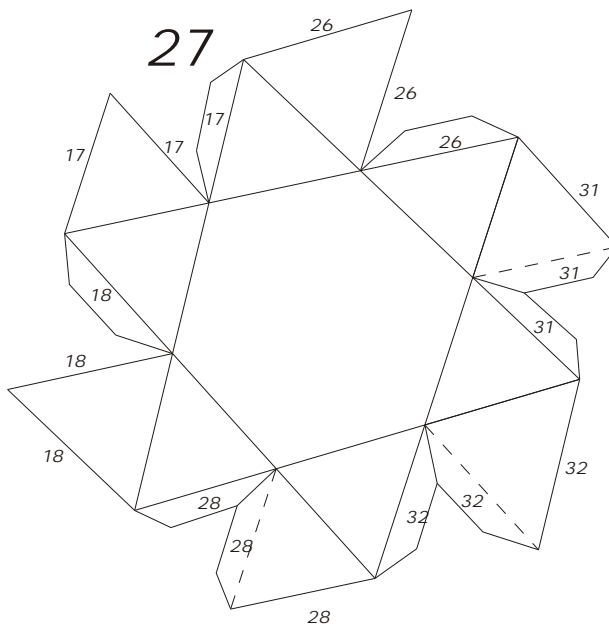
23



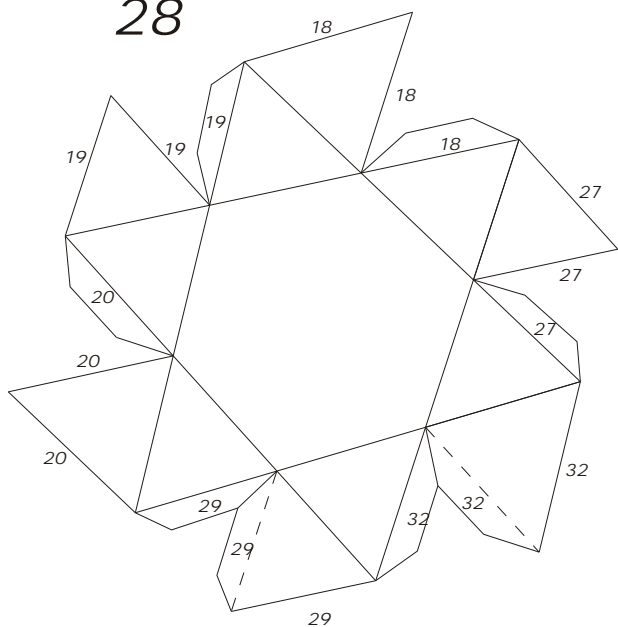
25



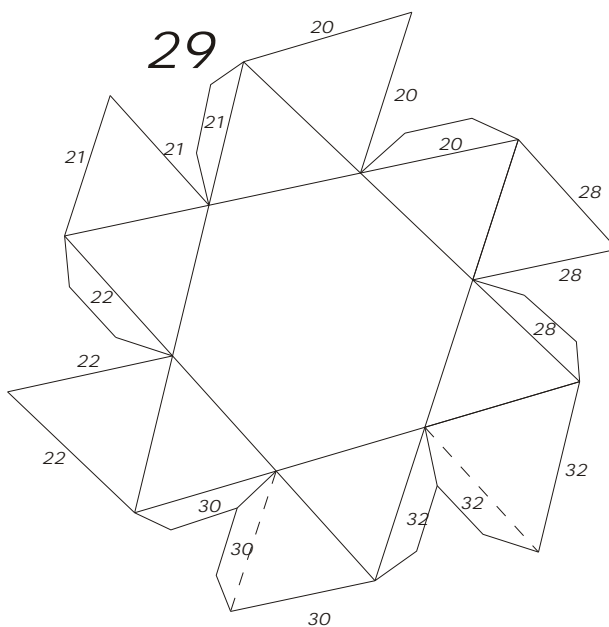
27



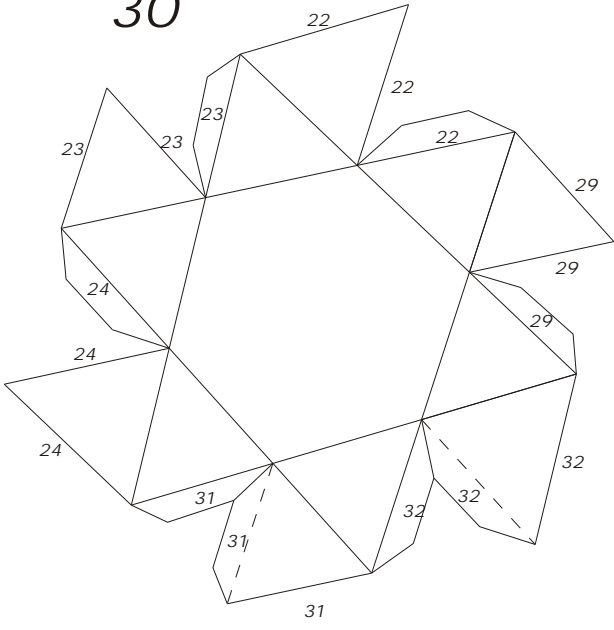
28



29



30



31

