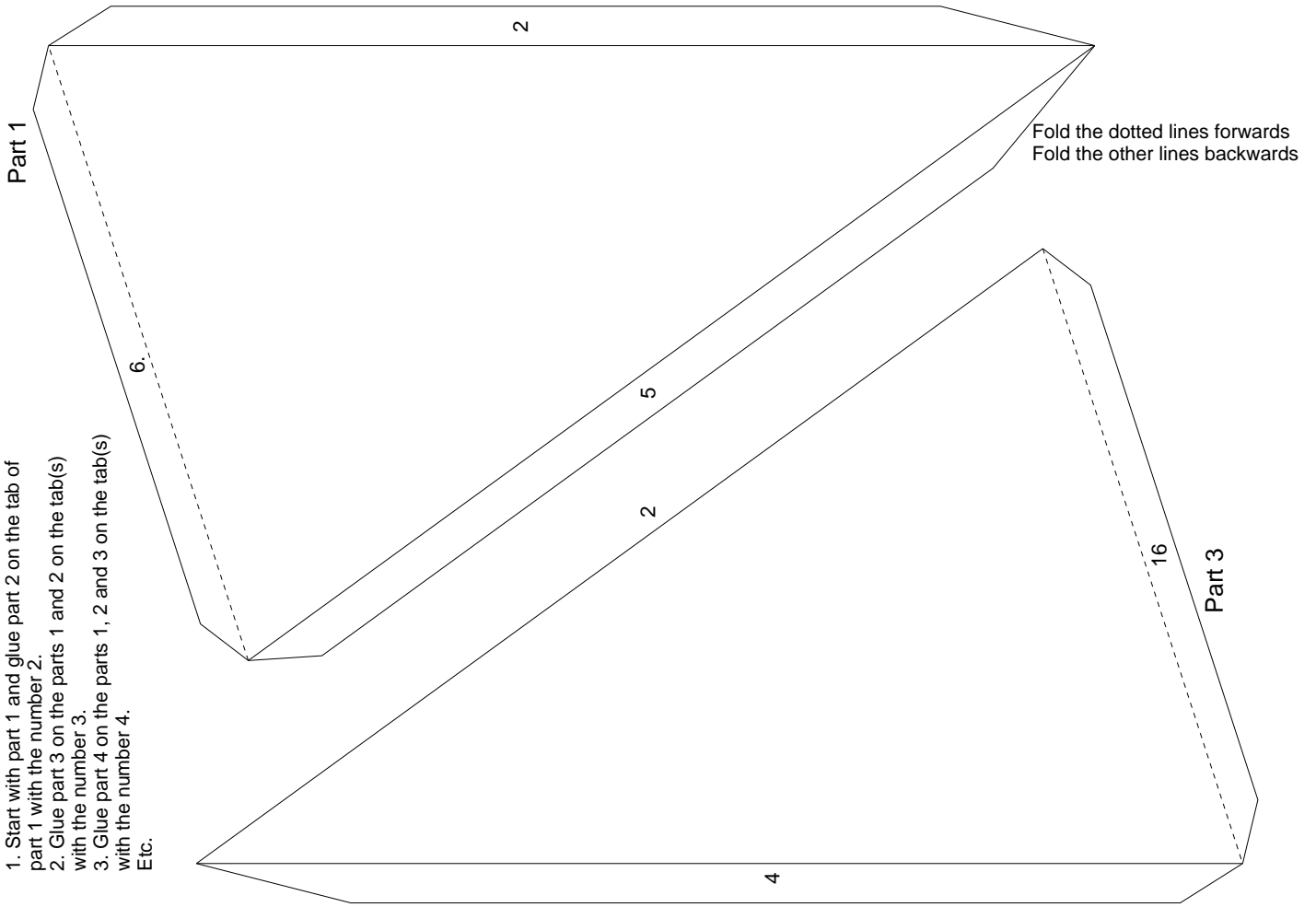


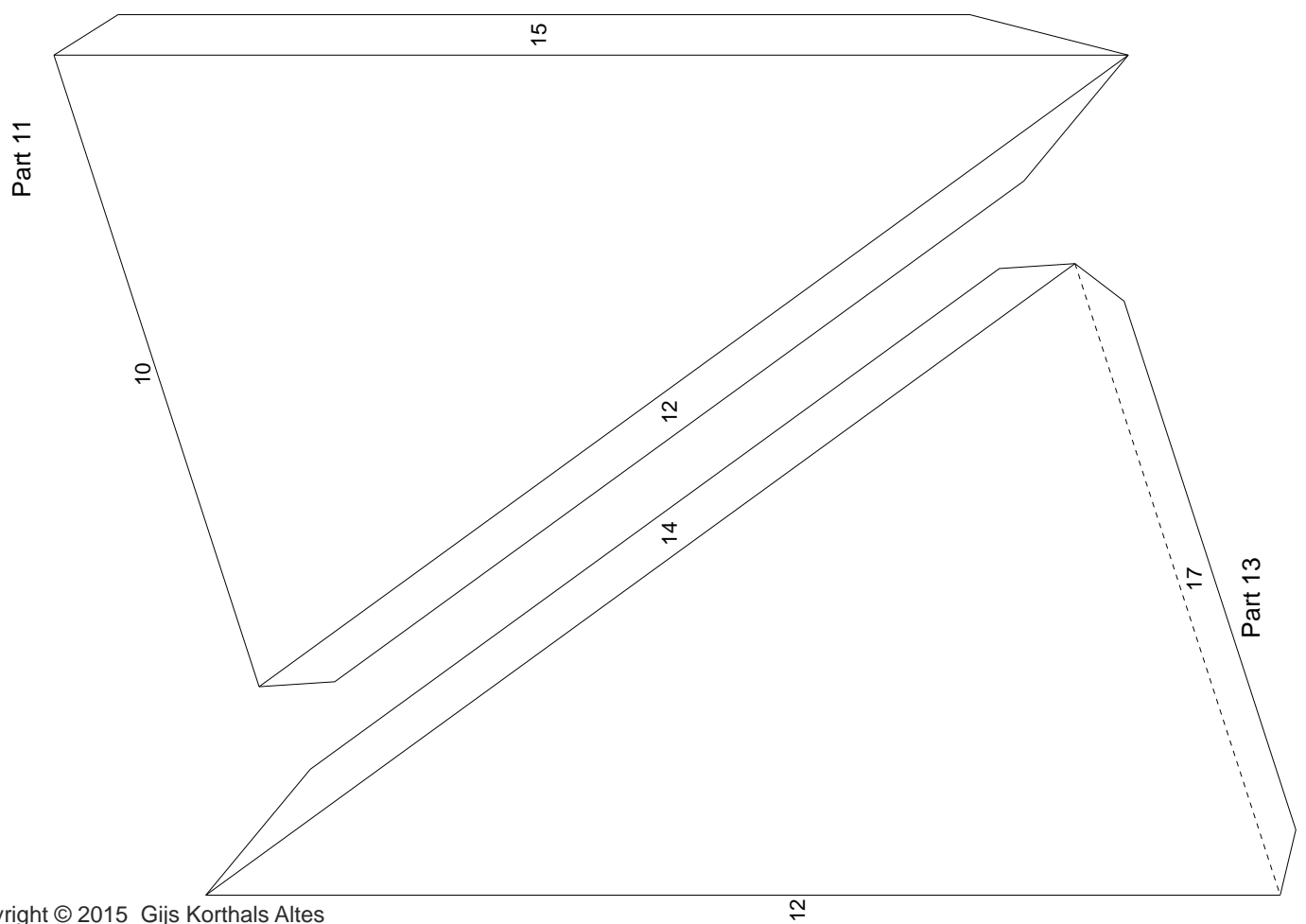
Small Stellated Dodecahedron

Use paper in four colors: each color 4 sheets of paper

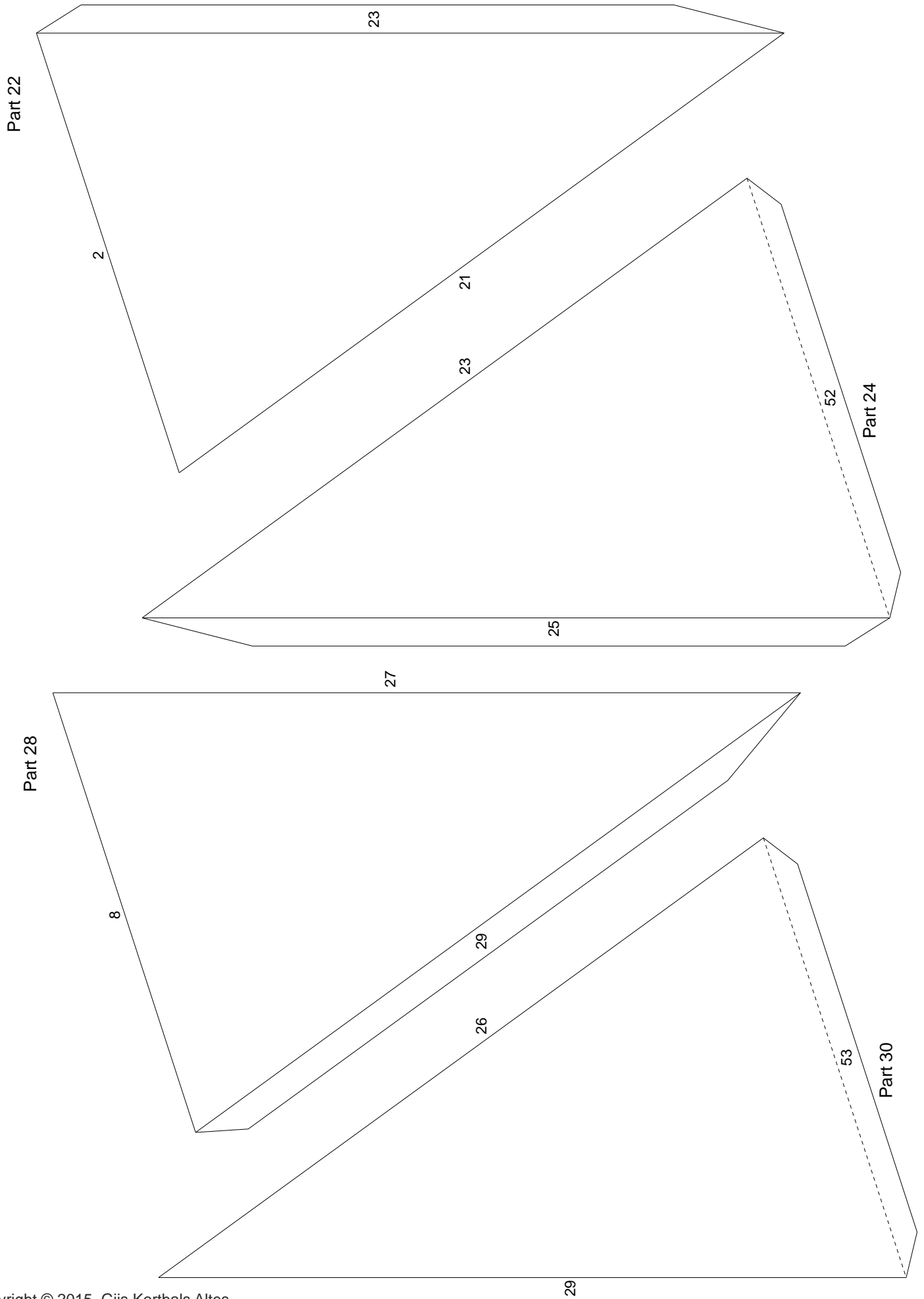
Color 1



1. Start with part 1 and glue part 2 on the tab of part 1 with the number 2.
 2. Glue part 3 on the parts 1 and 2 on the tab(s) with the number 3.
 3. Glue part 4 on the parts 1, 2 and 3 on the tab(s) with the number 4.
- Etc.

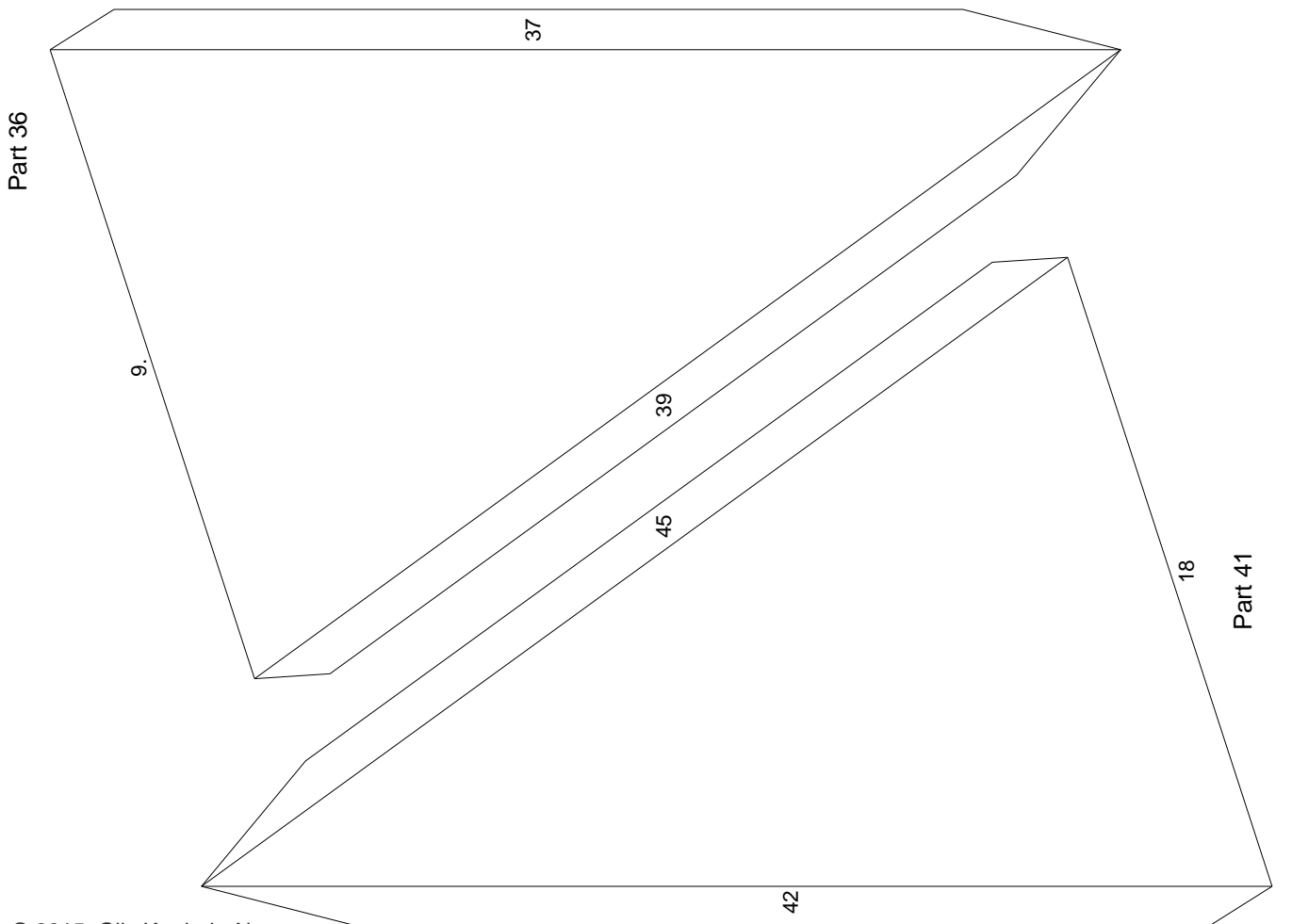
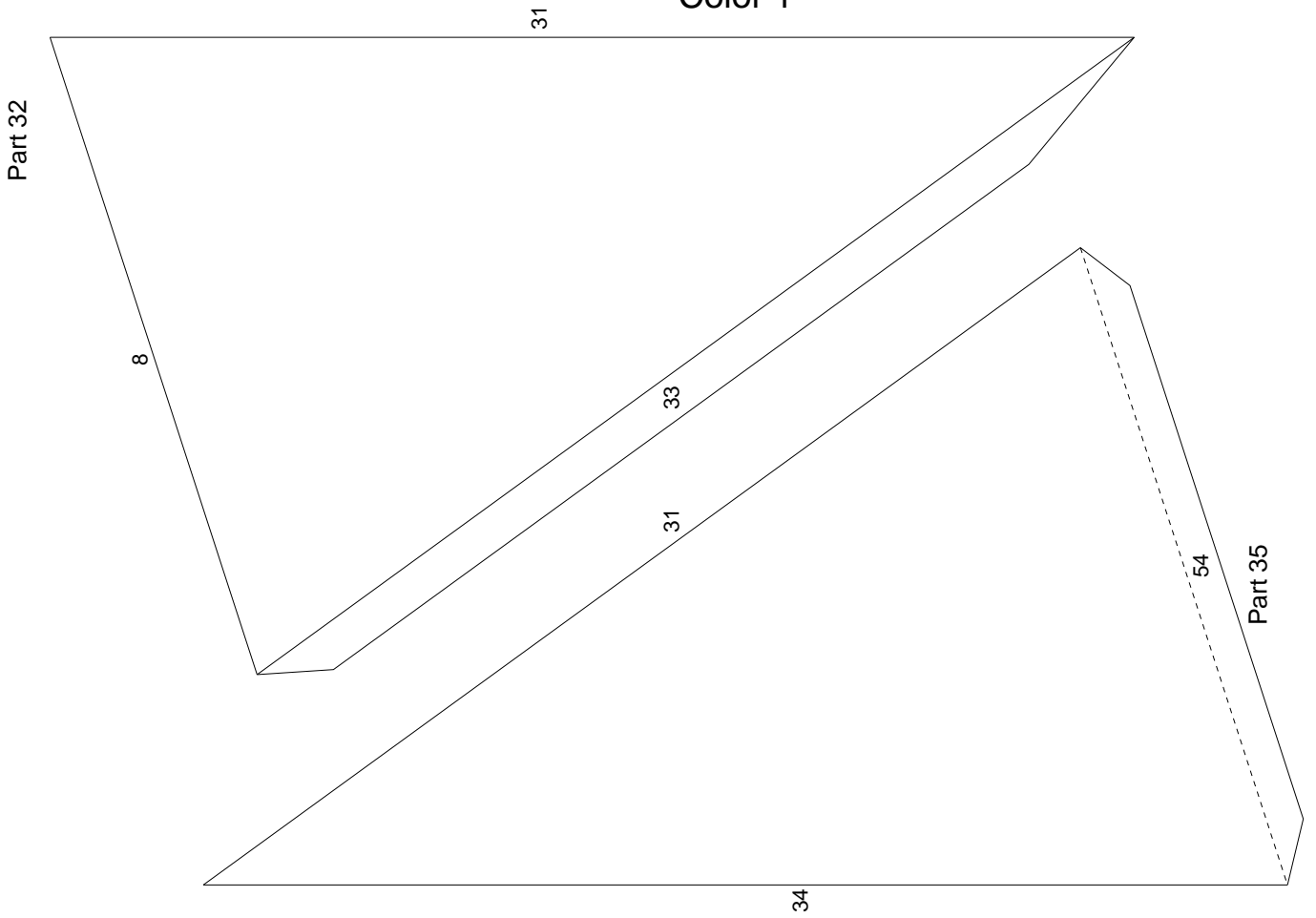


Small Stellated Dodecahedron Color 1



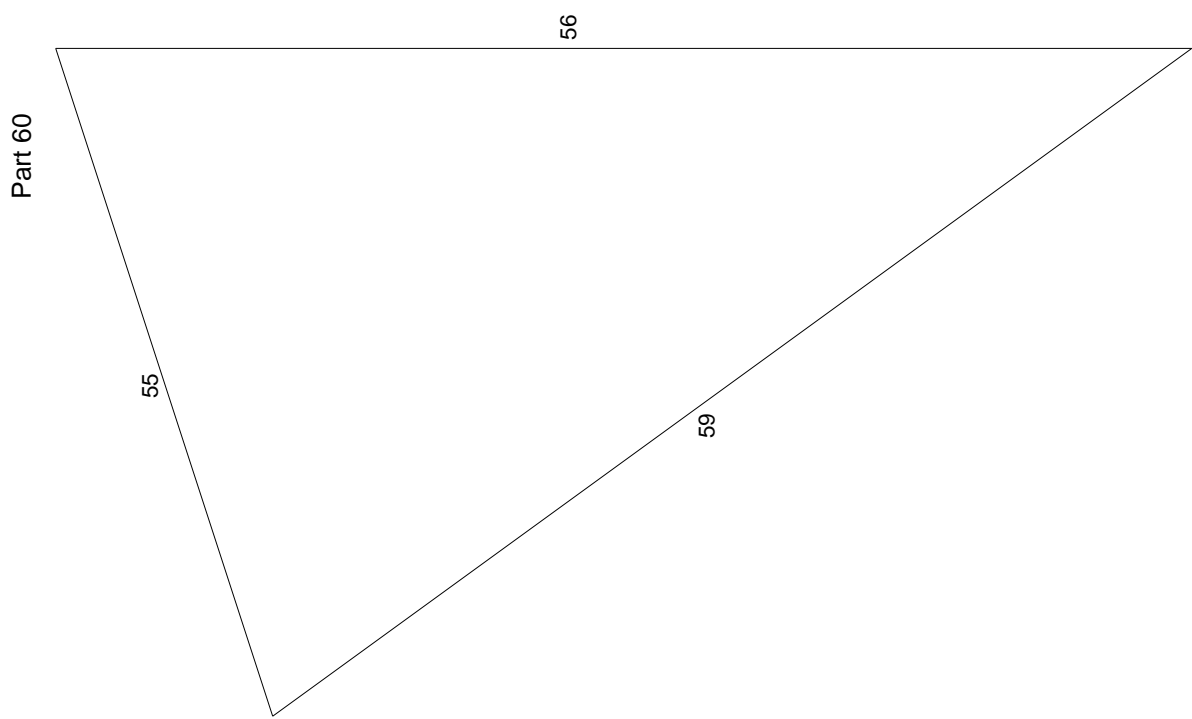
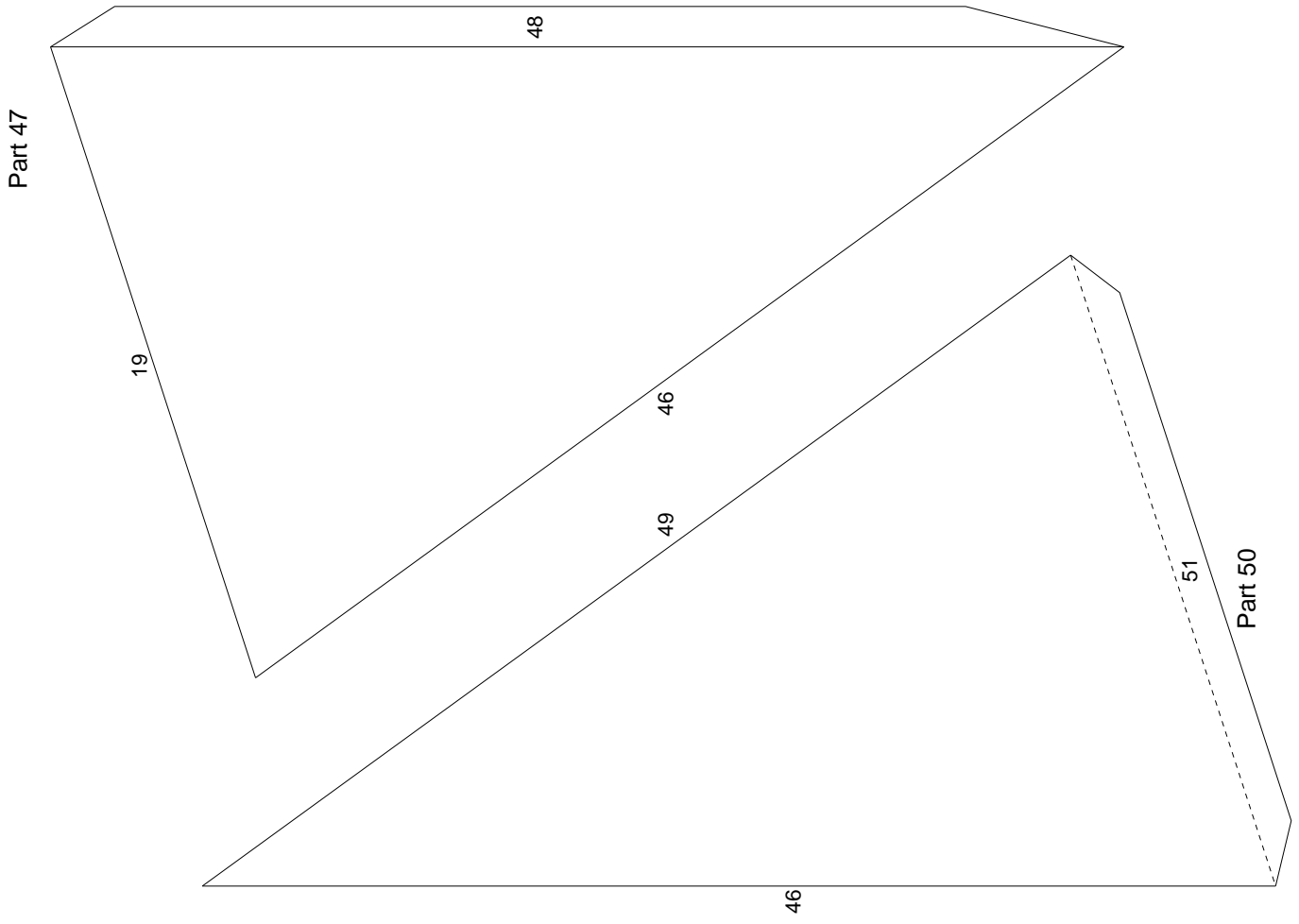
Small Stellated Dodecahedron

Color 1



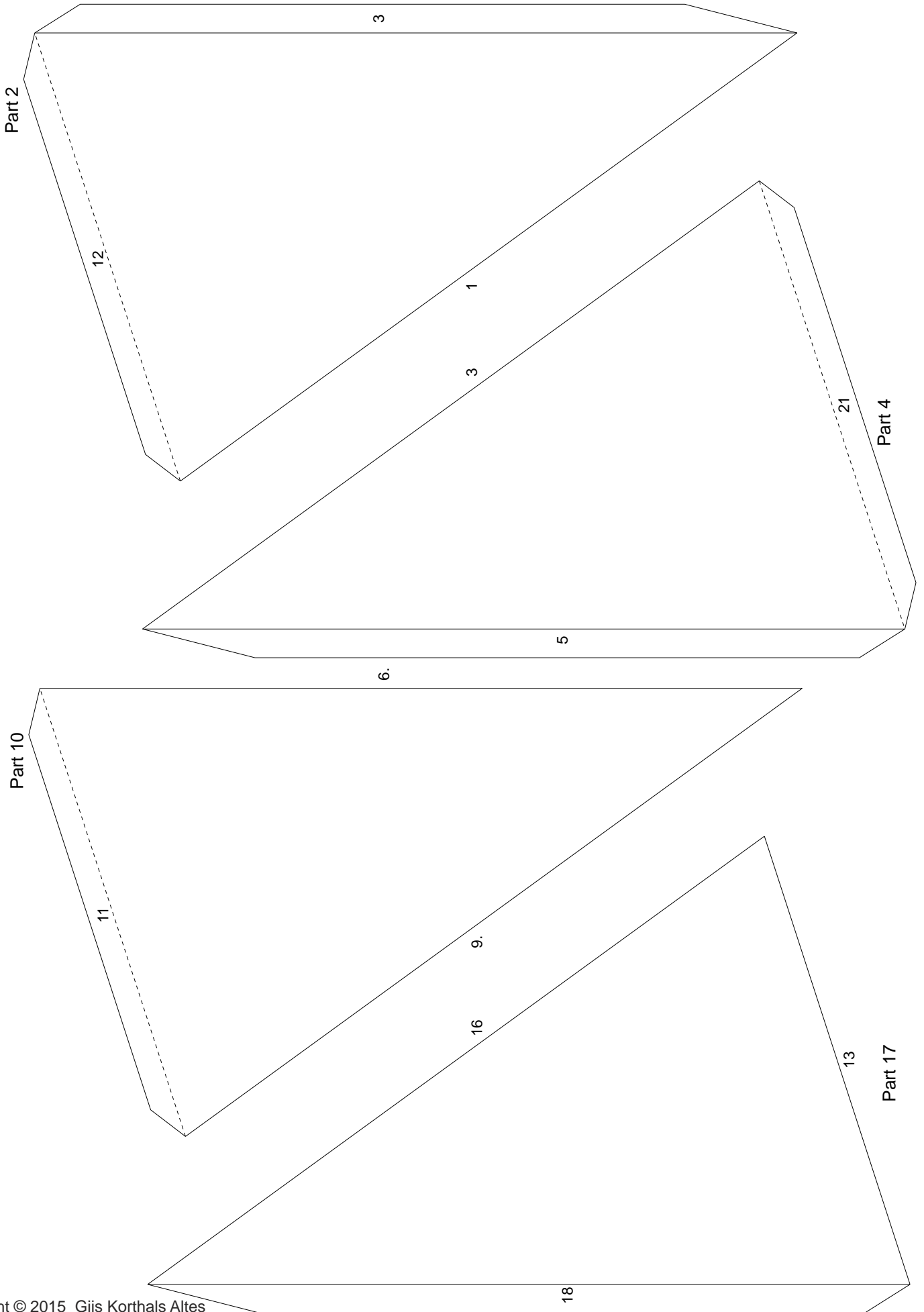
Small Stellated Dodecahedron

Color 1



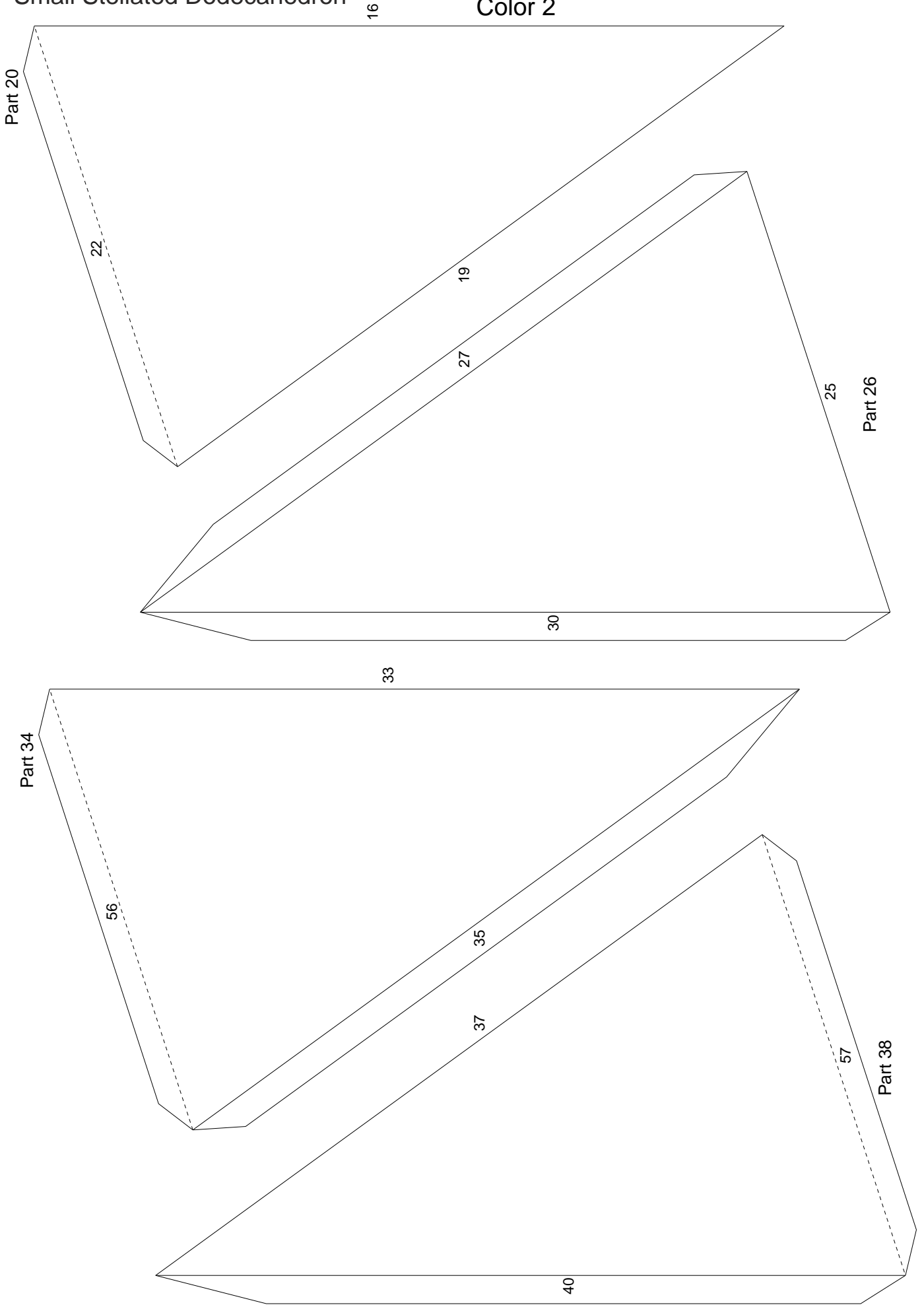
Small Stellated Dodecahedron

Color 2



Small Stellated Dodecahedron

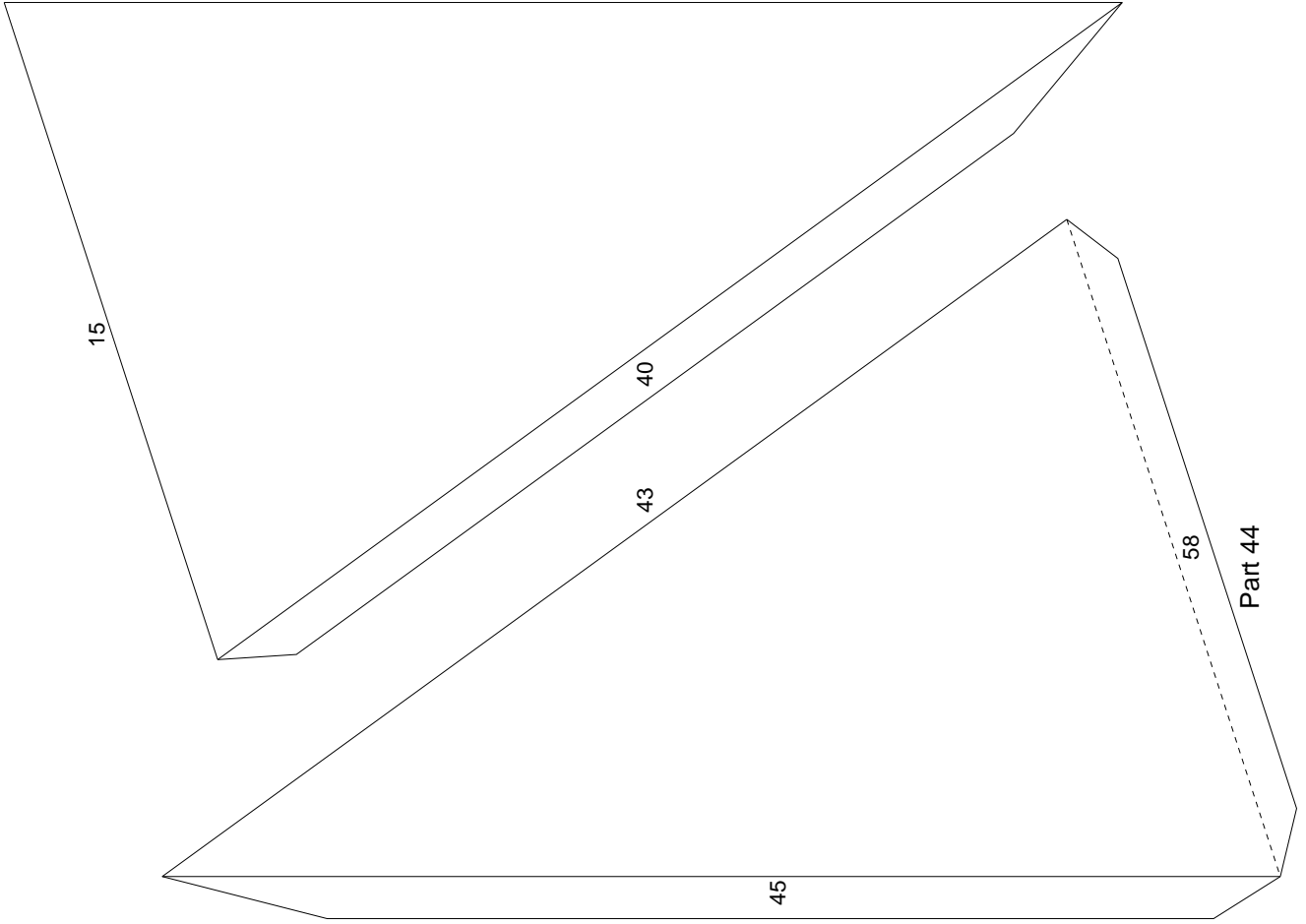
Color 2



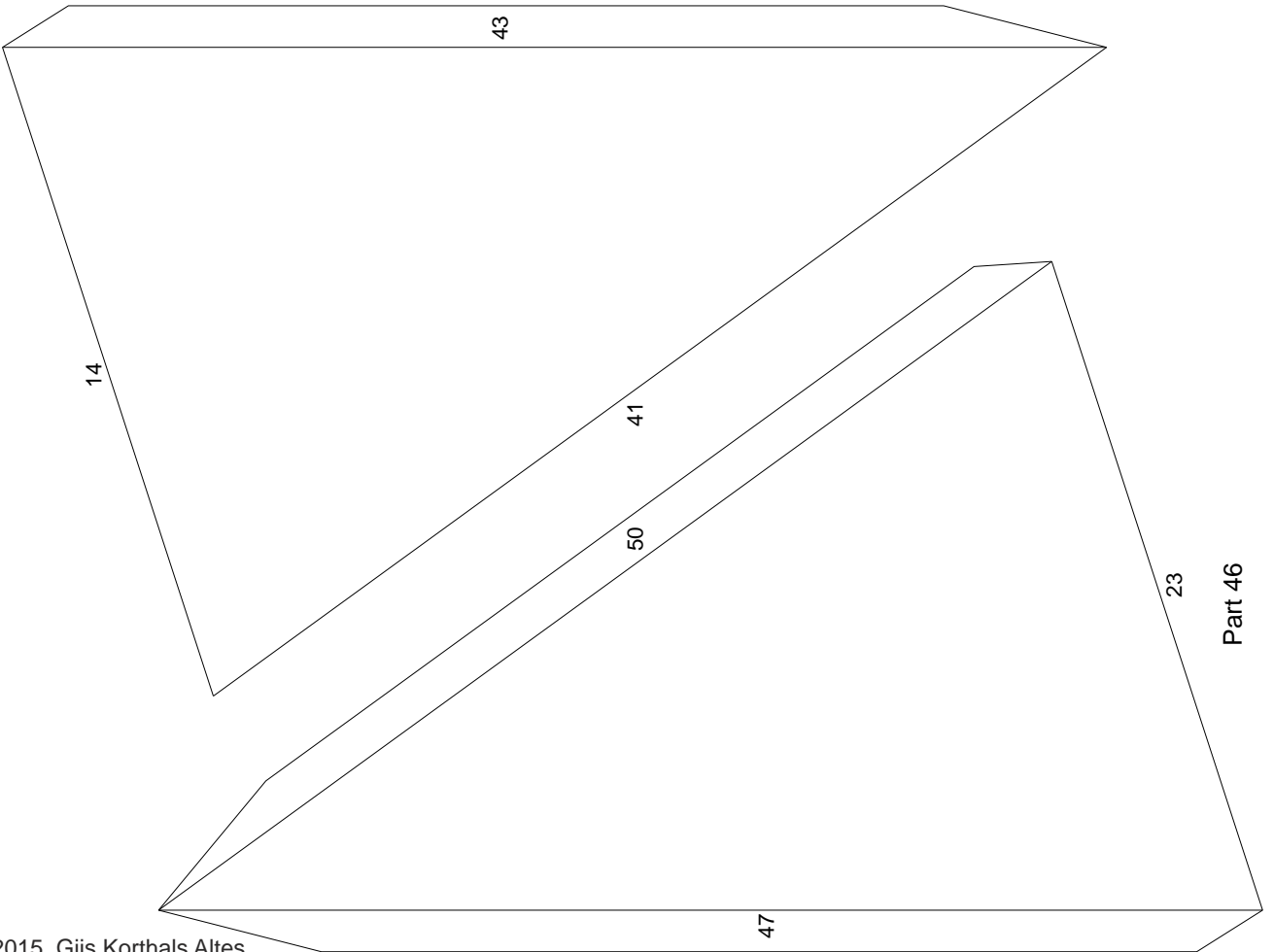
Small Stellated Dodecahedron

Color 2

Part 39



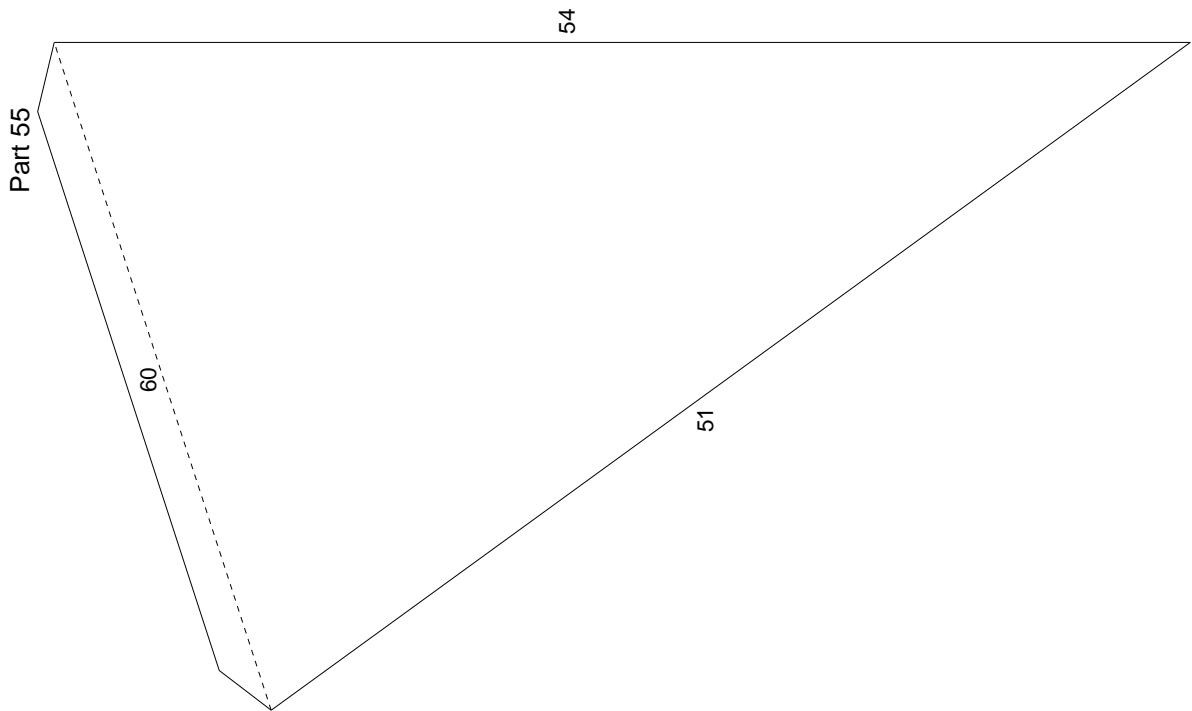
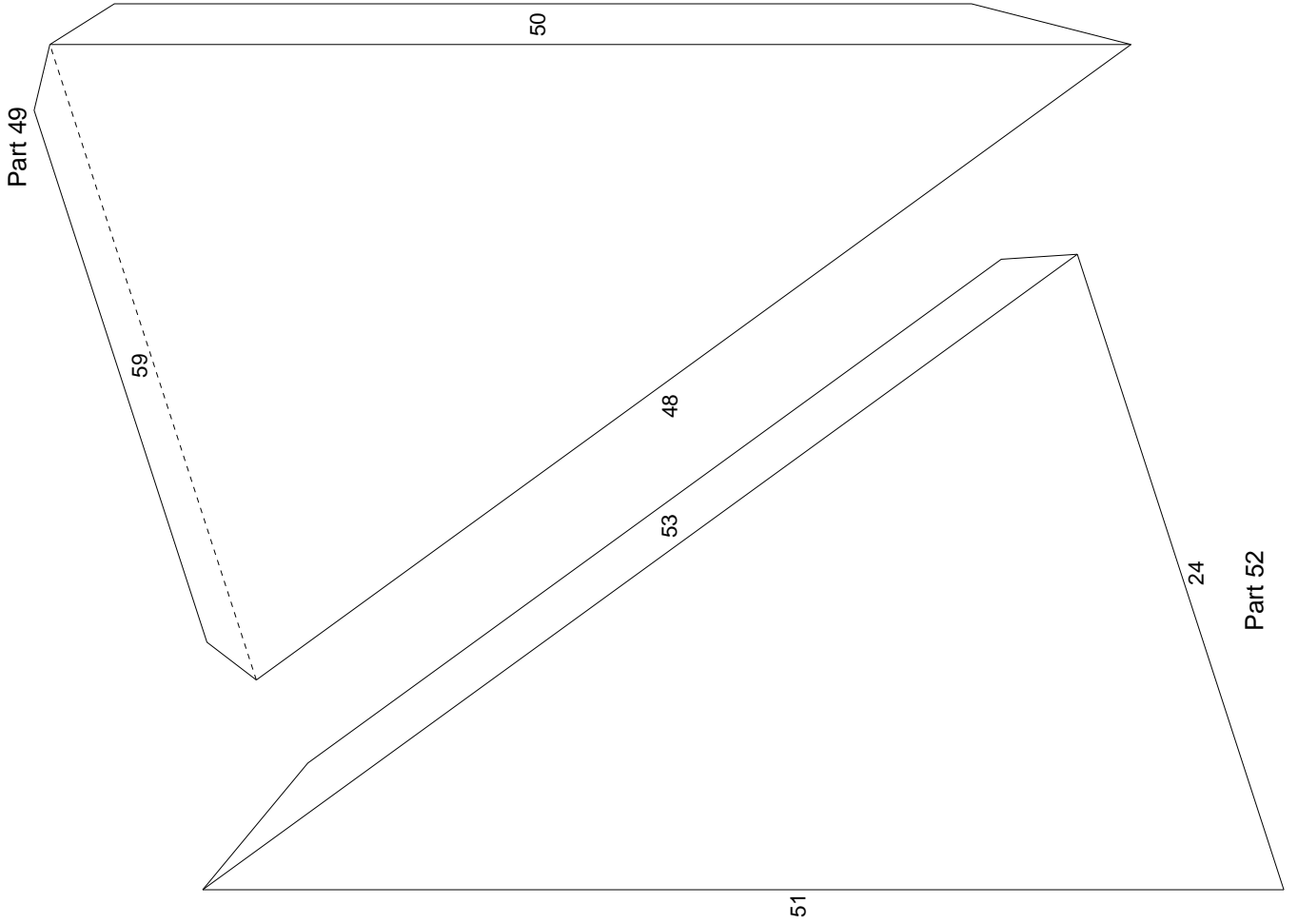
Part 42



Part 46

Small Stellated Dodecahedron

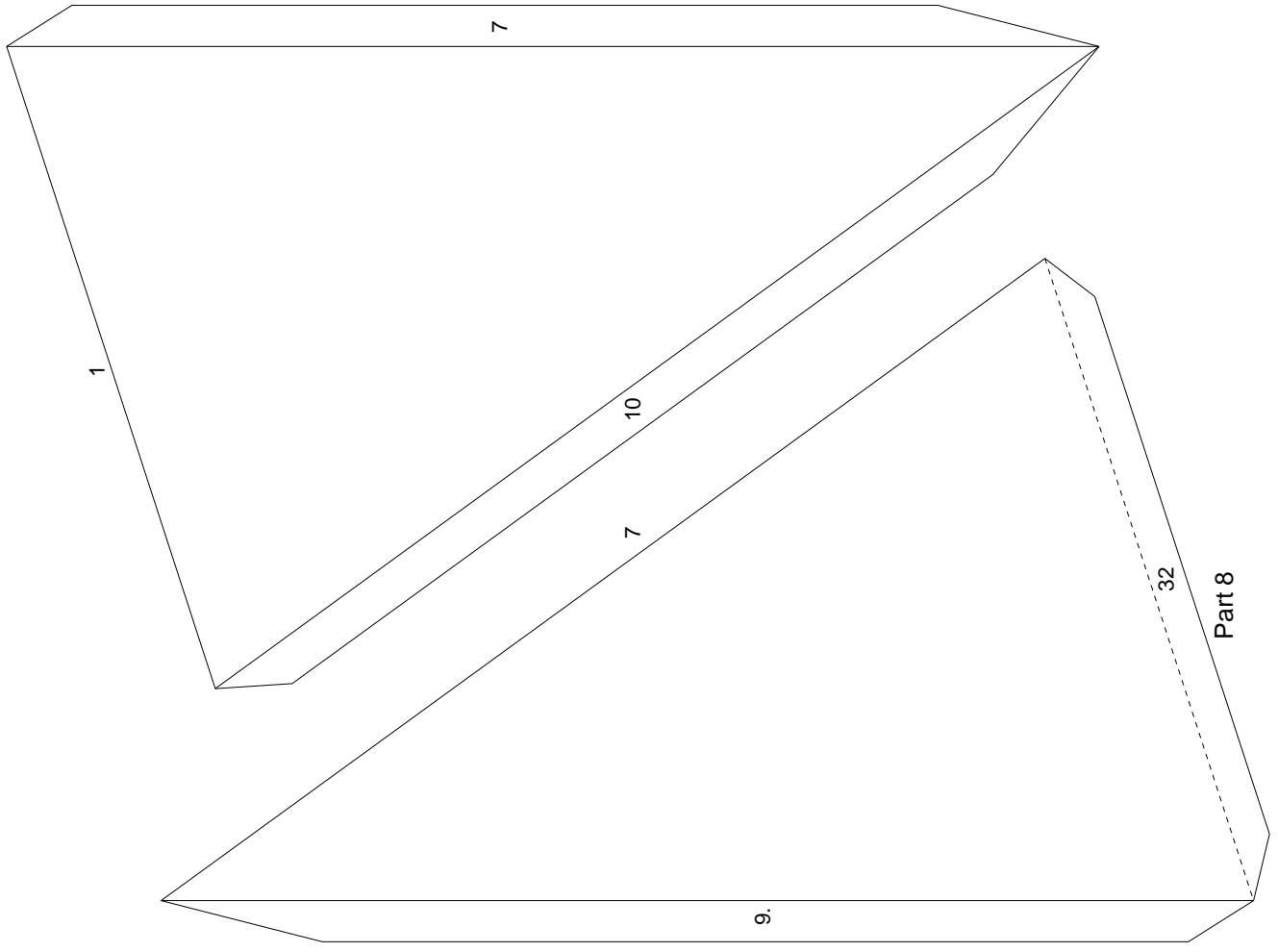
Color 2



Small Stellated Dodecahedron

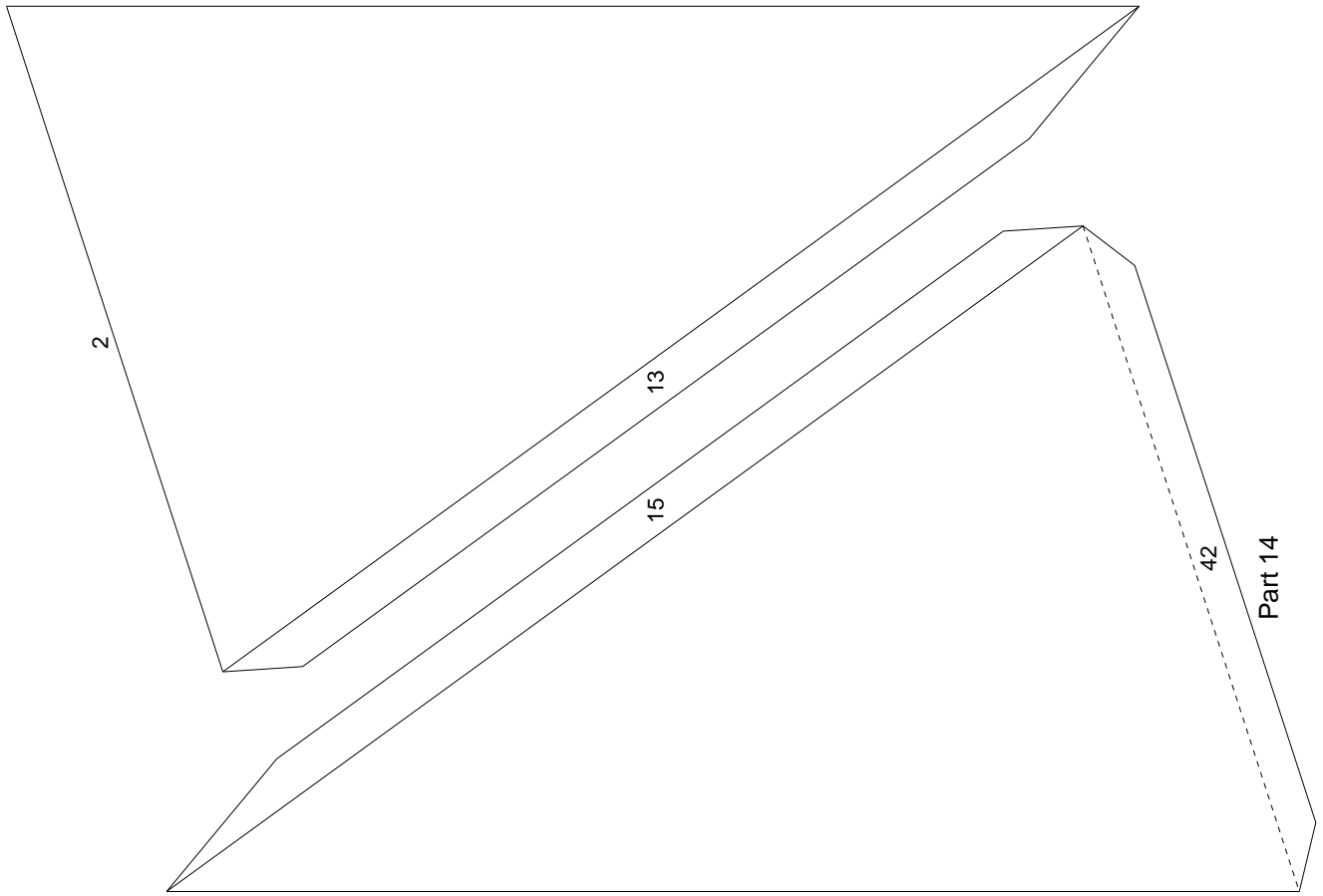
Color 3

Part 6.



Part 8

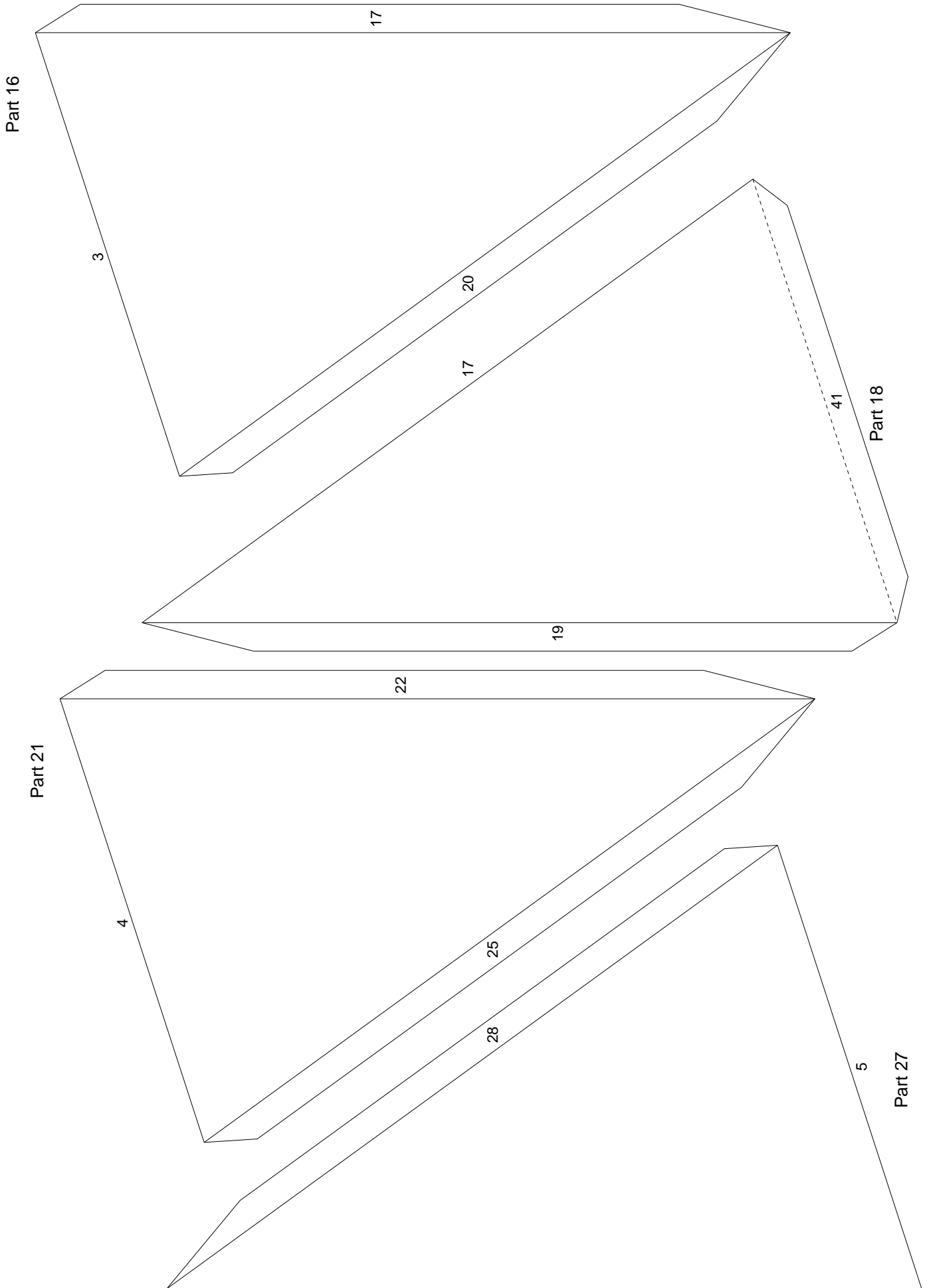
Part 12



Part 14

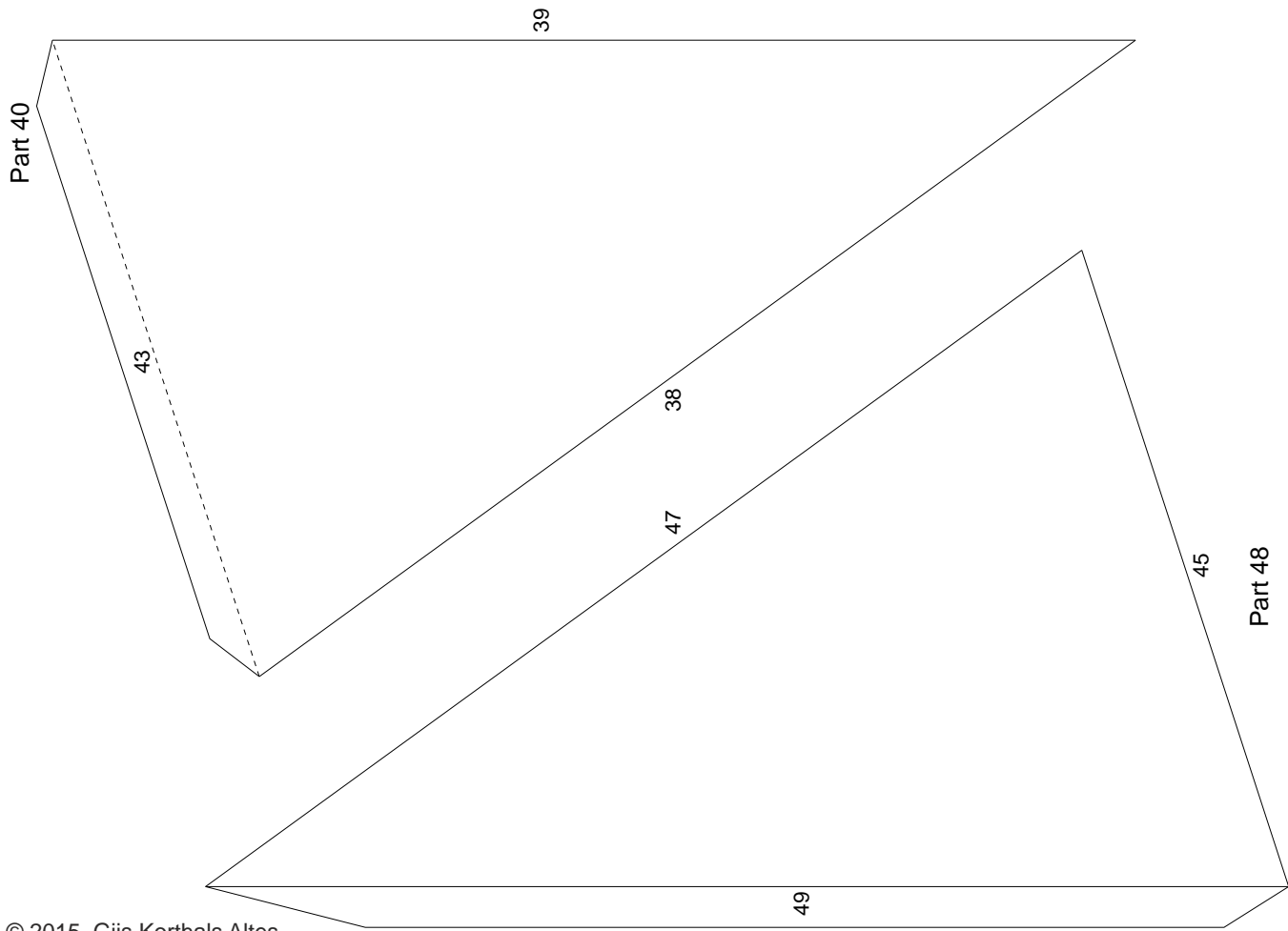
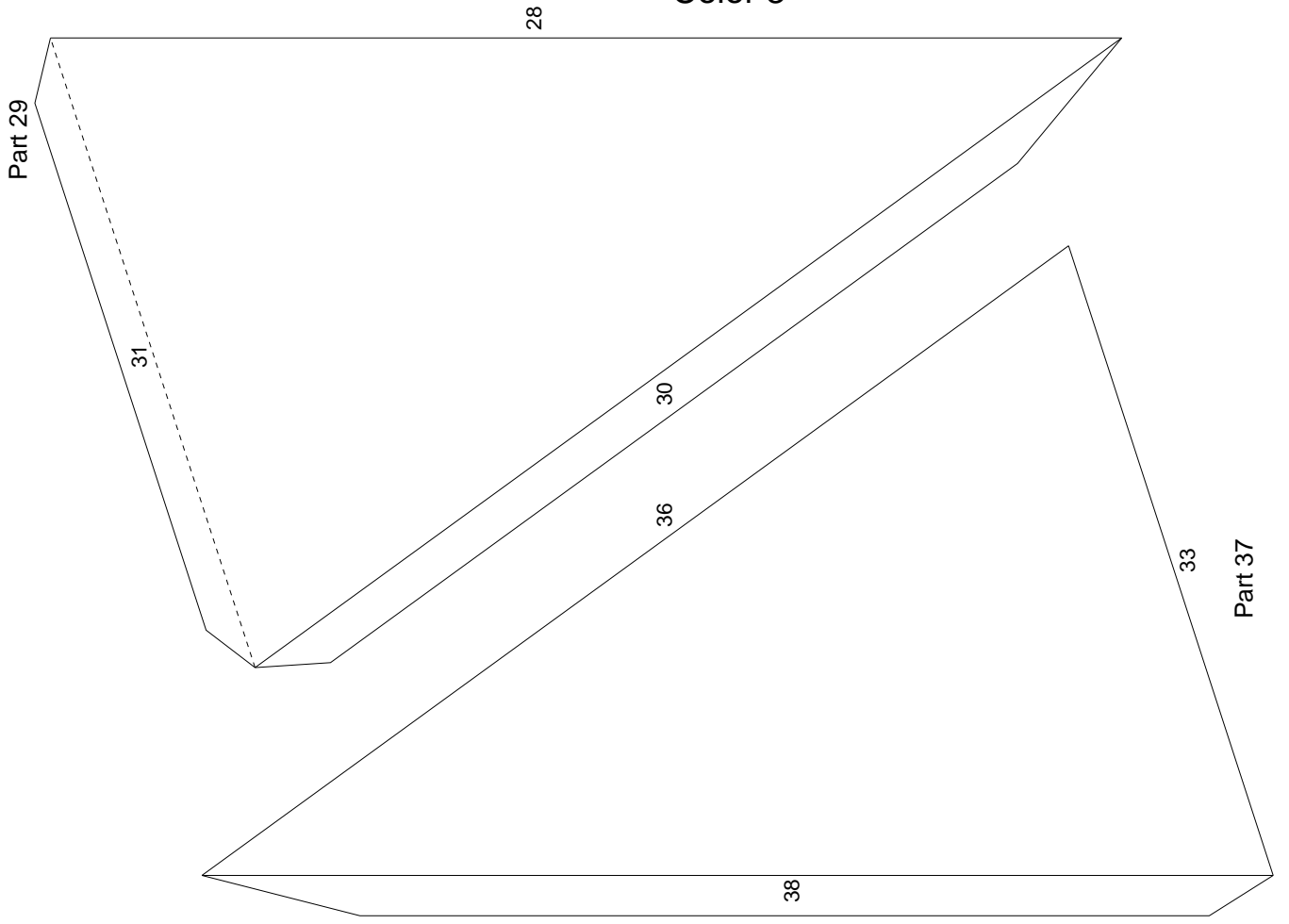
Small Stellated Dodecahedron

Color 3



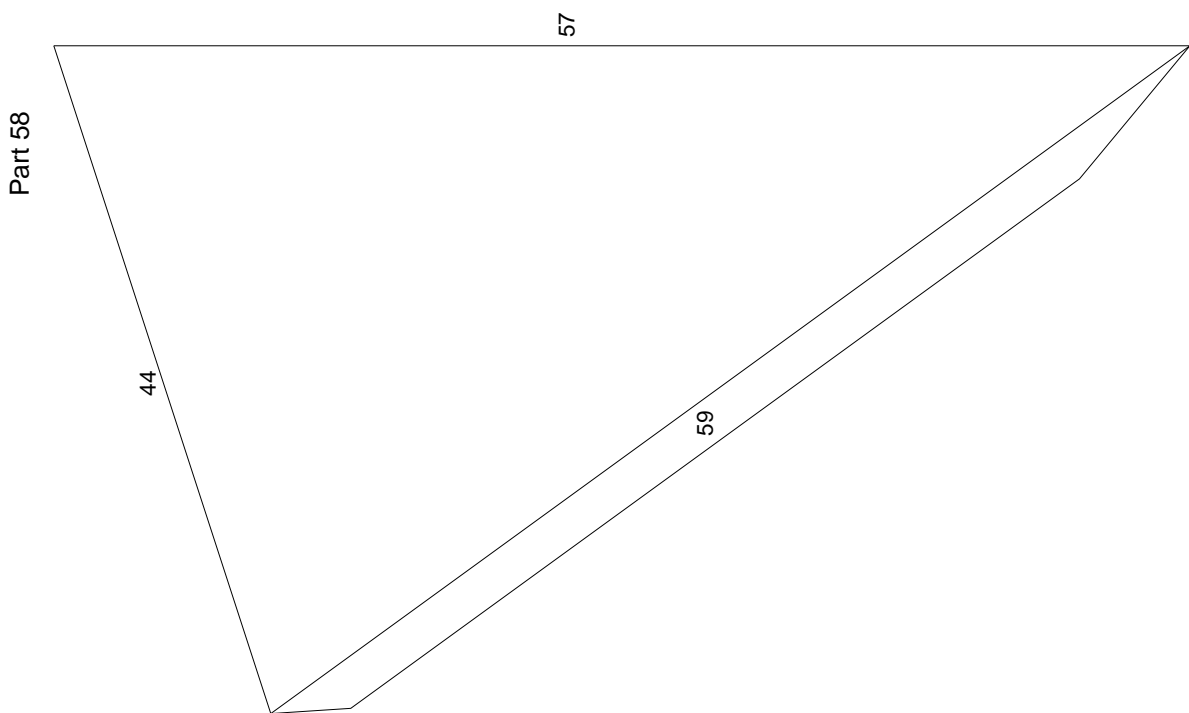
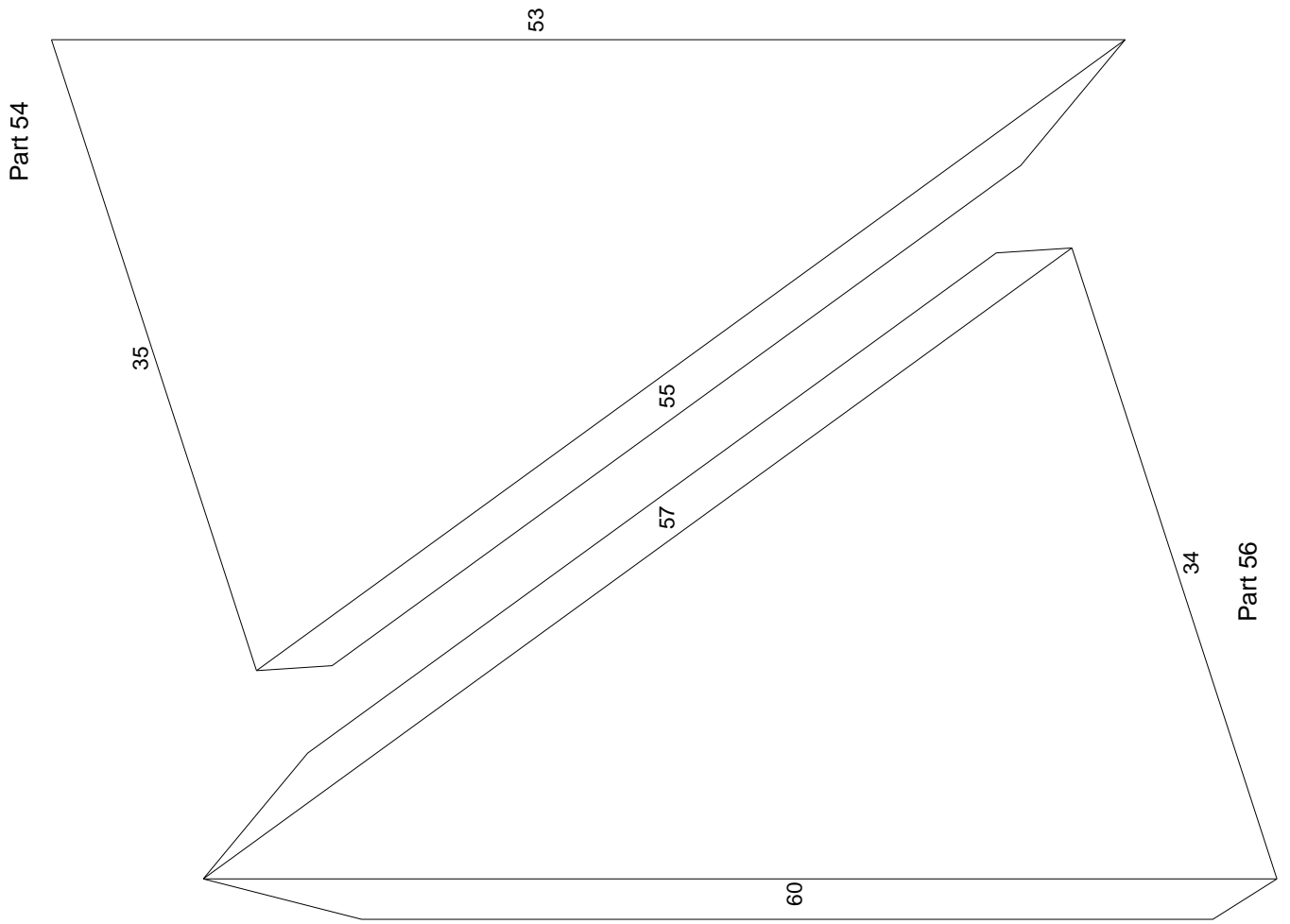
Small Stellated Dodecahedron

Color 3



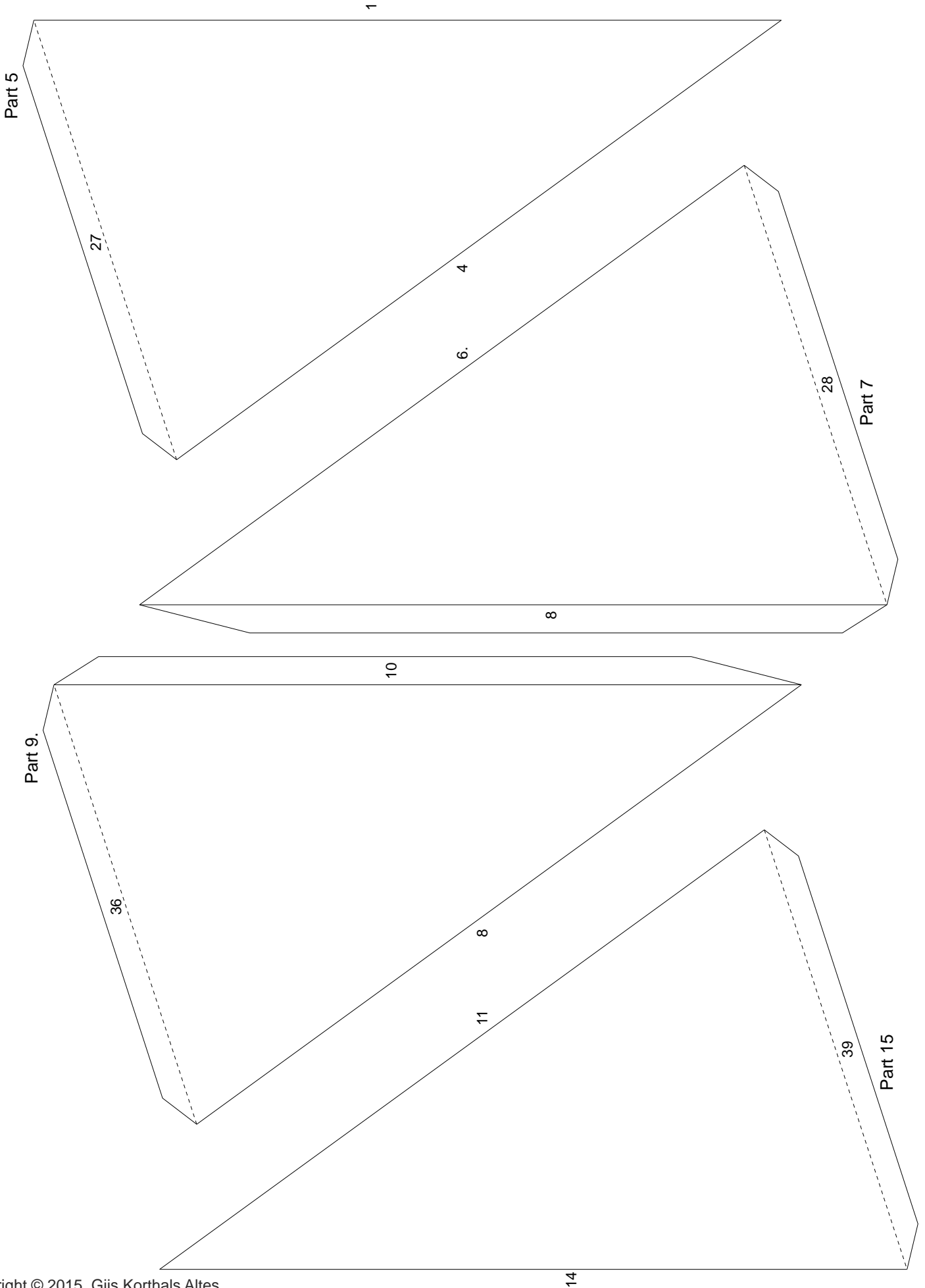
Small Stellated Dodecahedron

Color 3



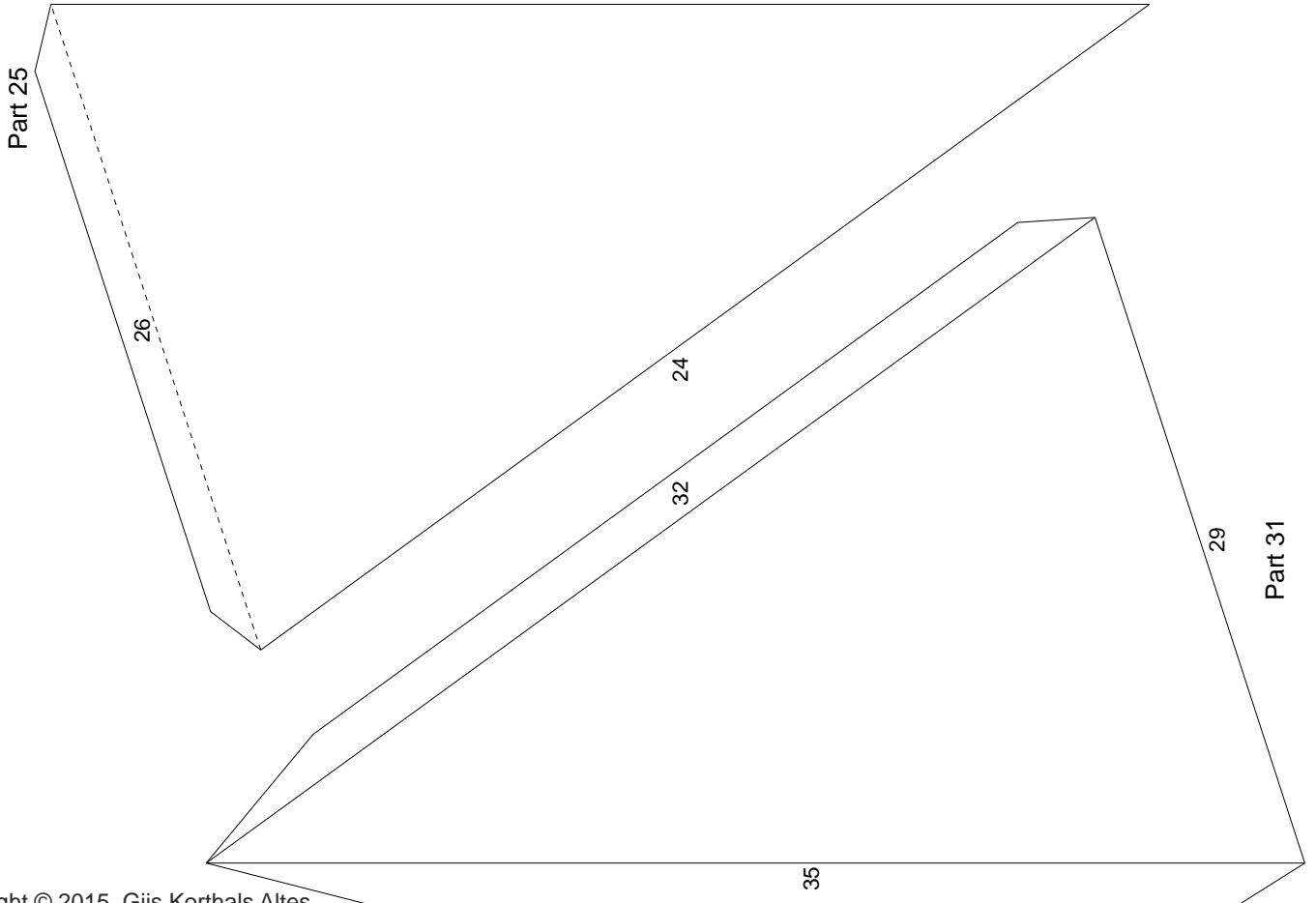
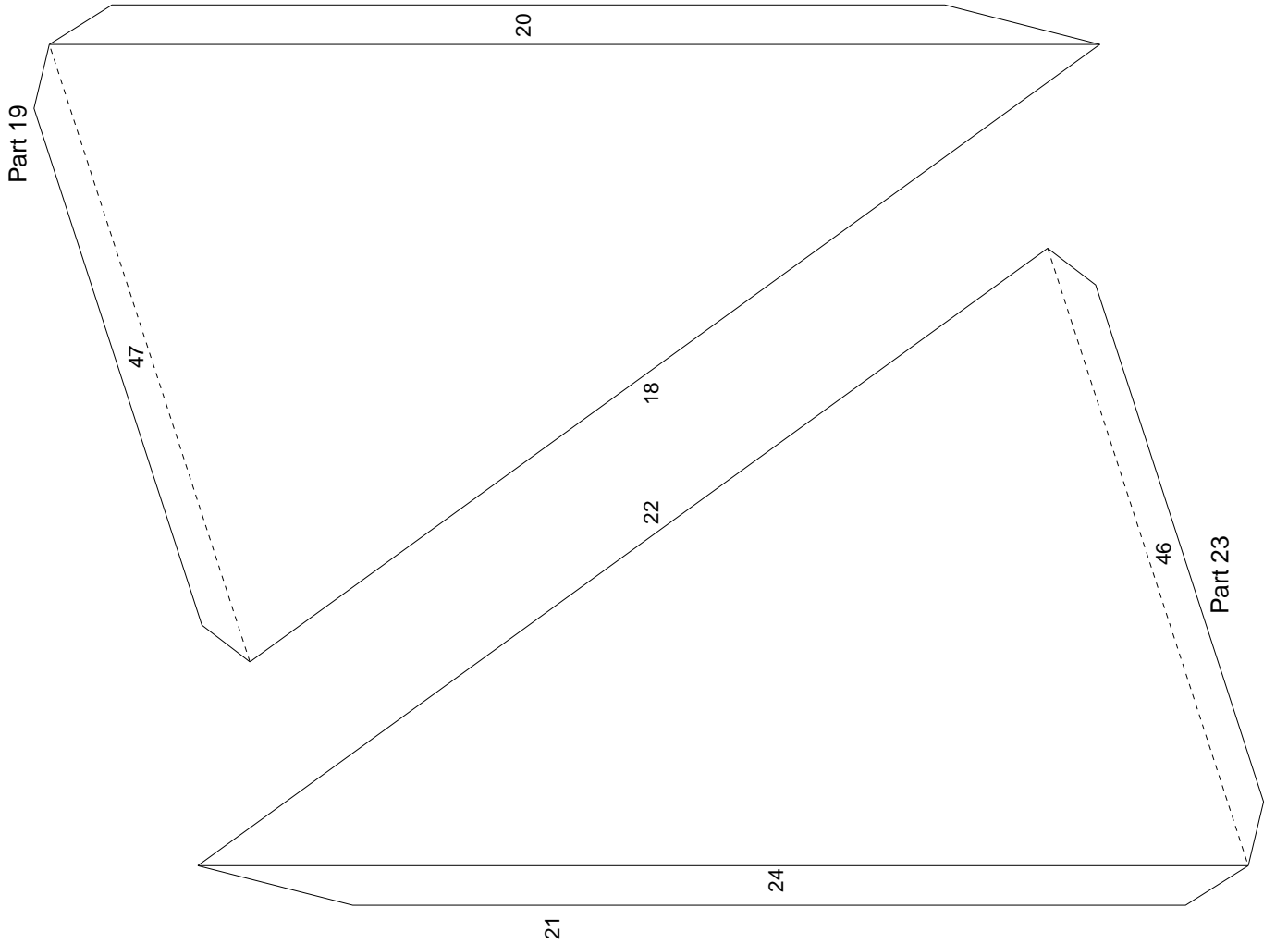
Small Stellated Dodecahedron

Color 4



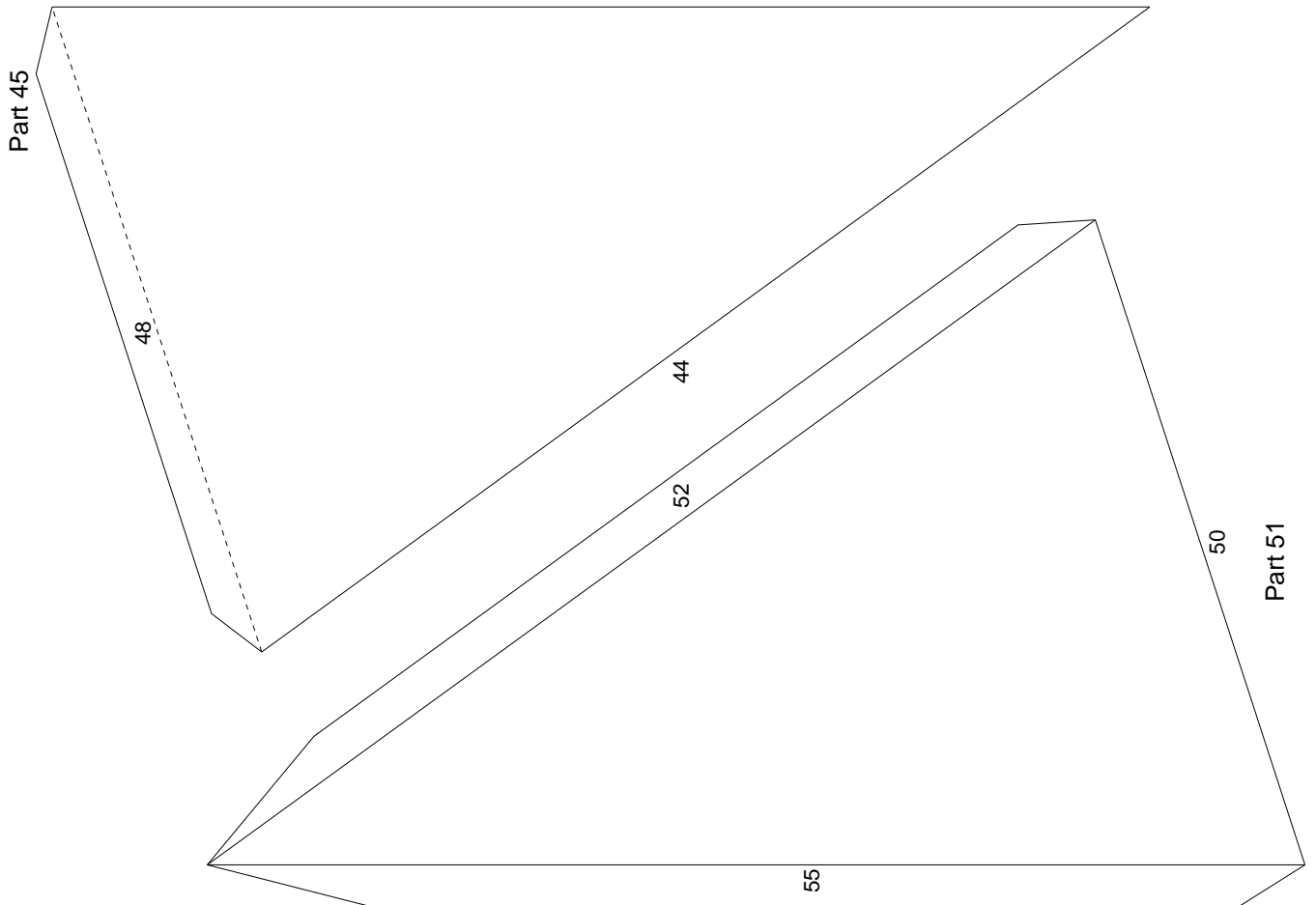
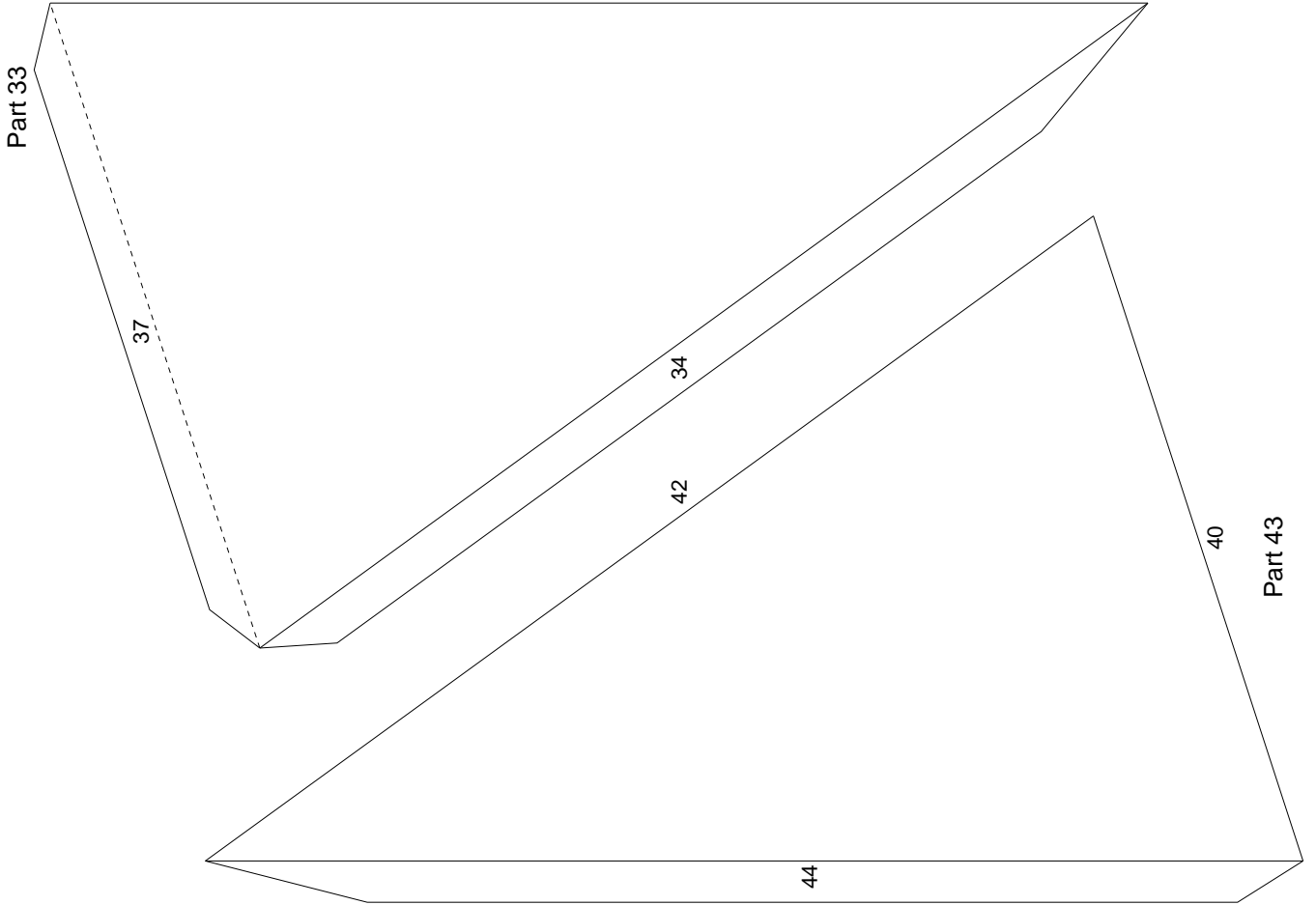
Small Stellated Dodecahedron

Color 4



Small Stellated Dodecahedron

Color 4



Small Stellated Dodecahedron

Color 4

