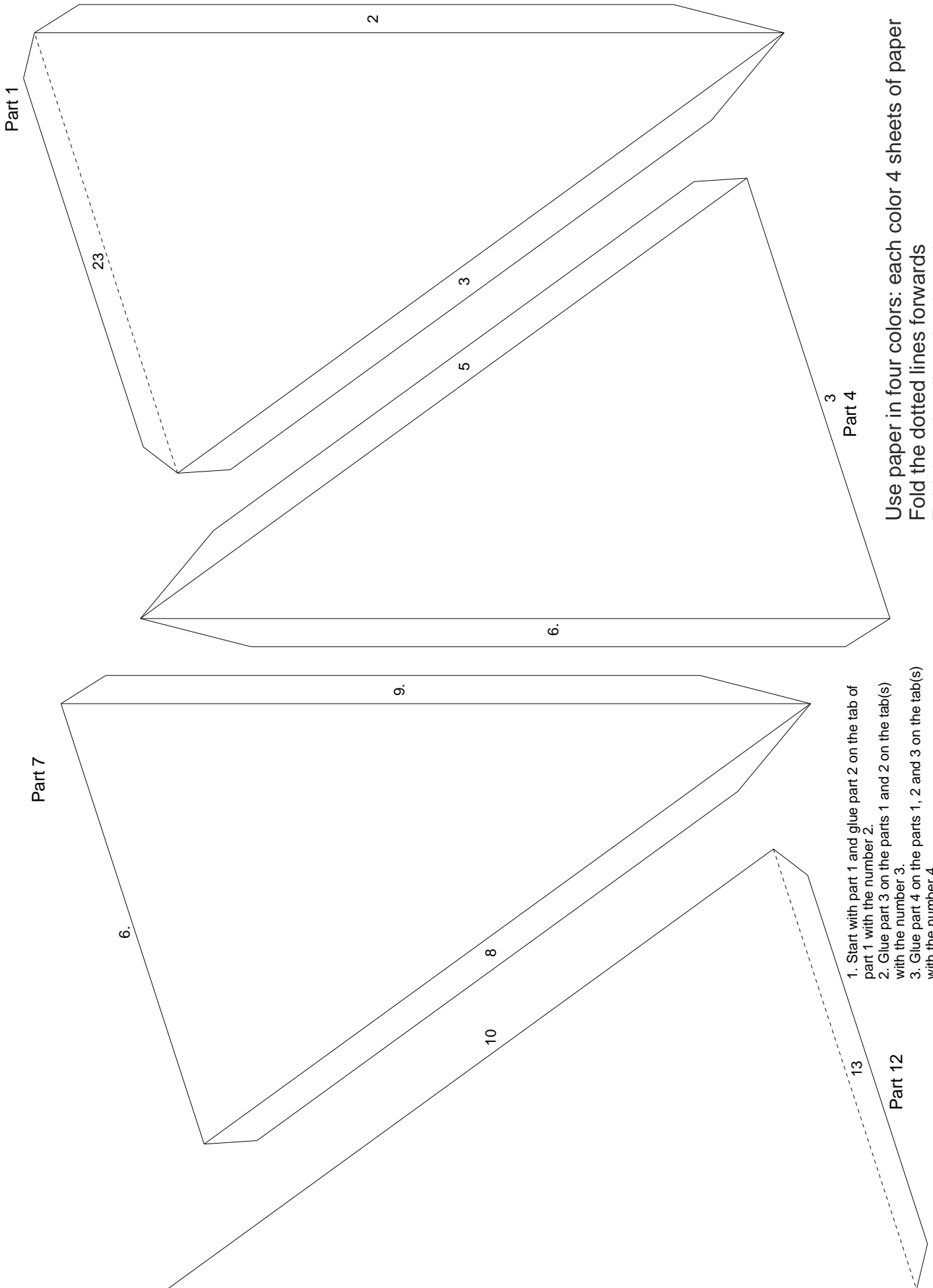


# Great Stellated Dodecahedron

**Color 1**

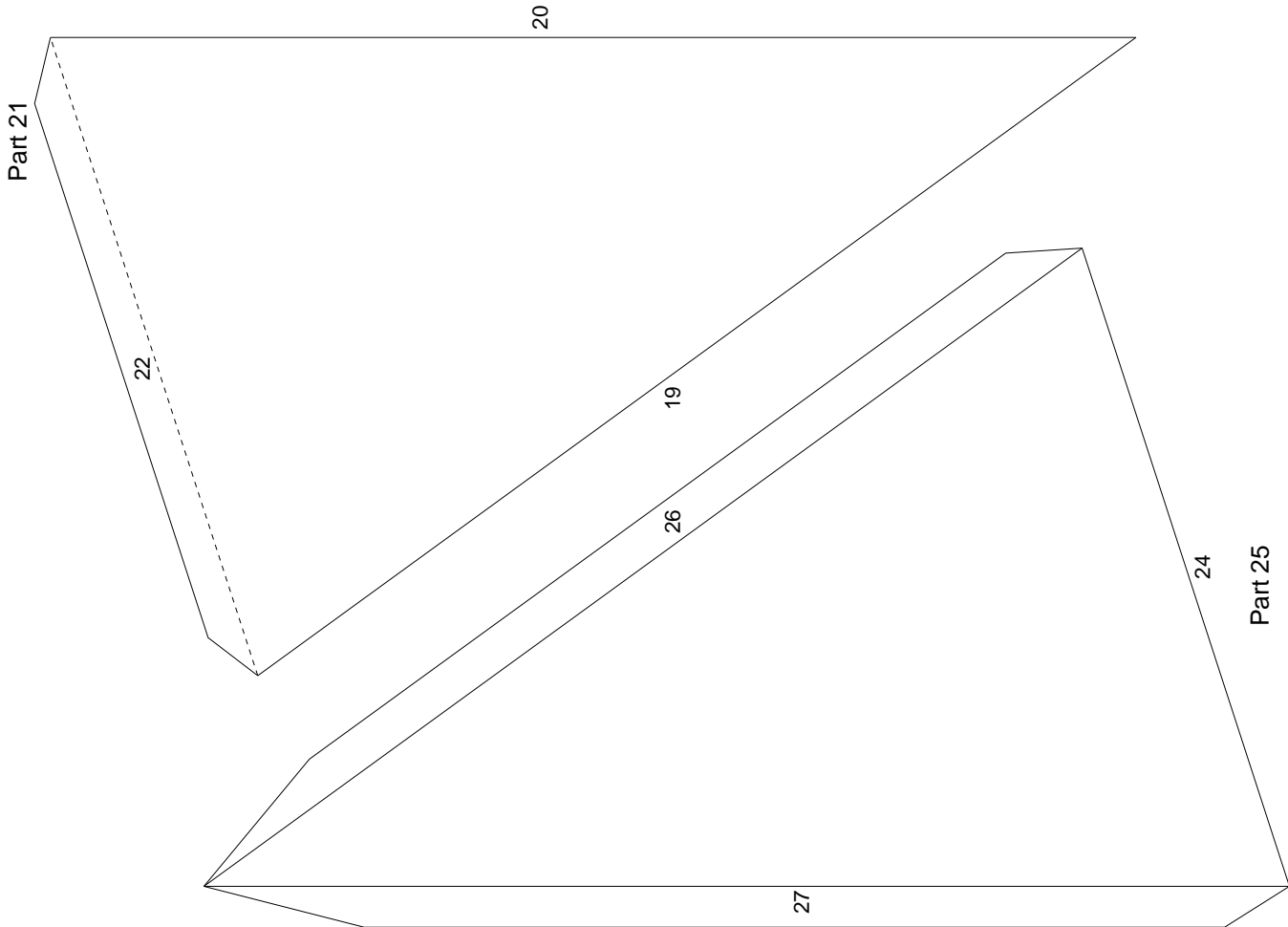
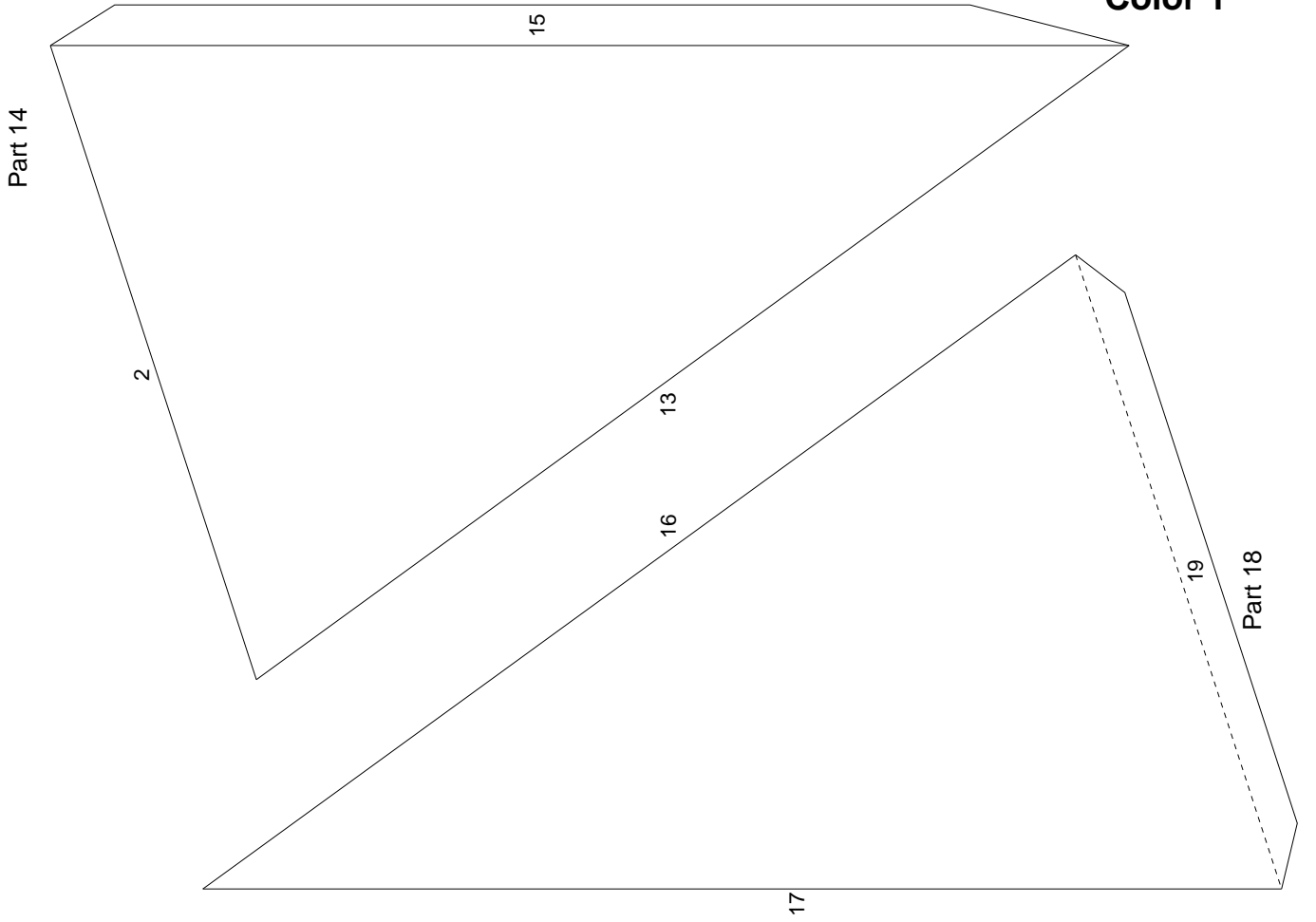


Use paper in four colors: each color 4 sheets of paper  
 Fold the dotted lines forwards  
 Fold the other lines backwards

1. Start with part 1 and glue part 2 on the tab of part 1 with the number 2.
  2. Glue part 3 on the parts 1 and 2 on the tab(s) with the number 3.
  3. Glue part 4 on the parts 1, 2 and 3 on the tab(s) with the number 4.
- Etc.

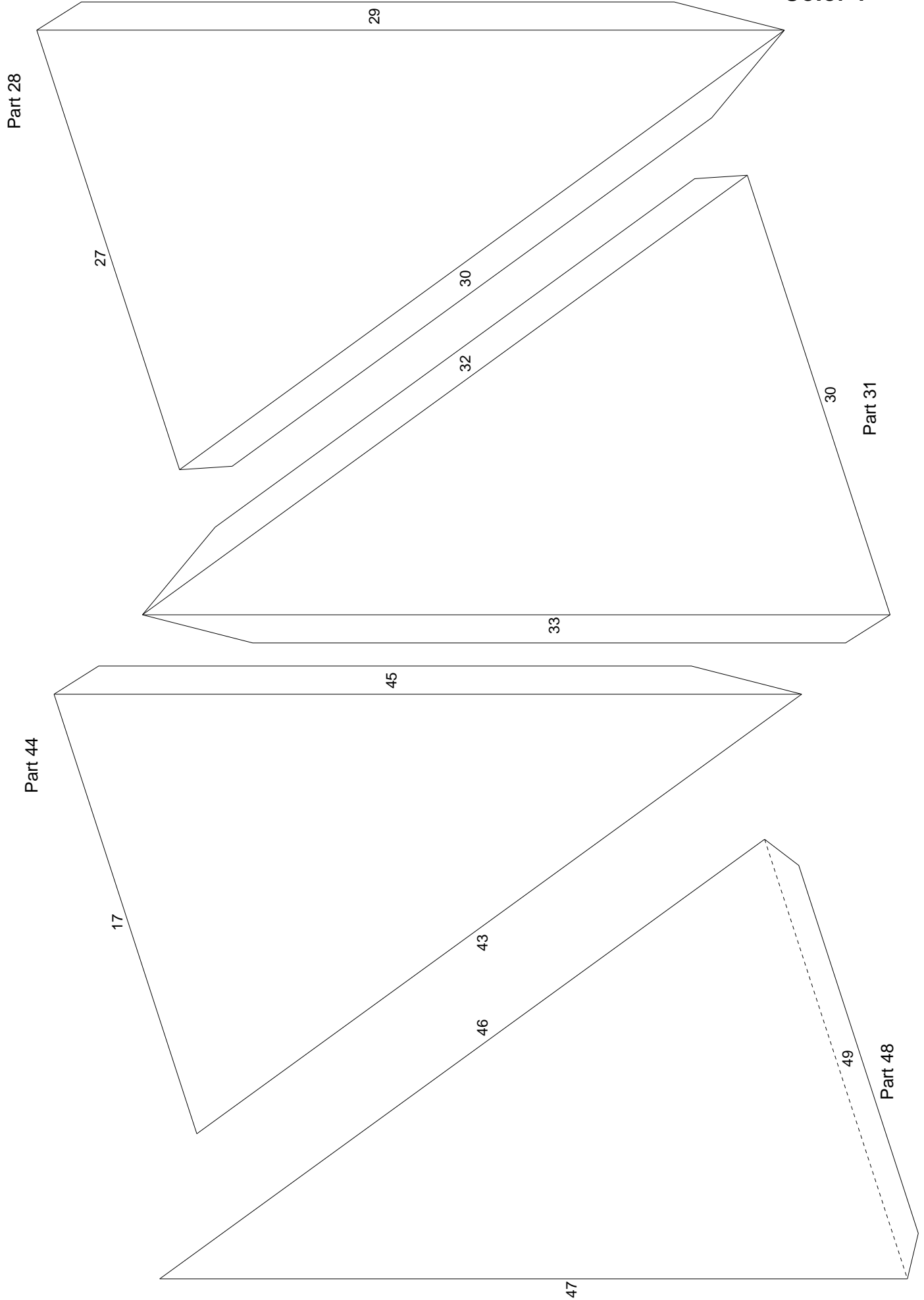
# Great Stellated Dodecahedron

Color 1



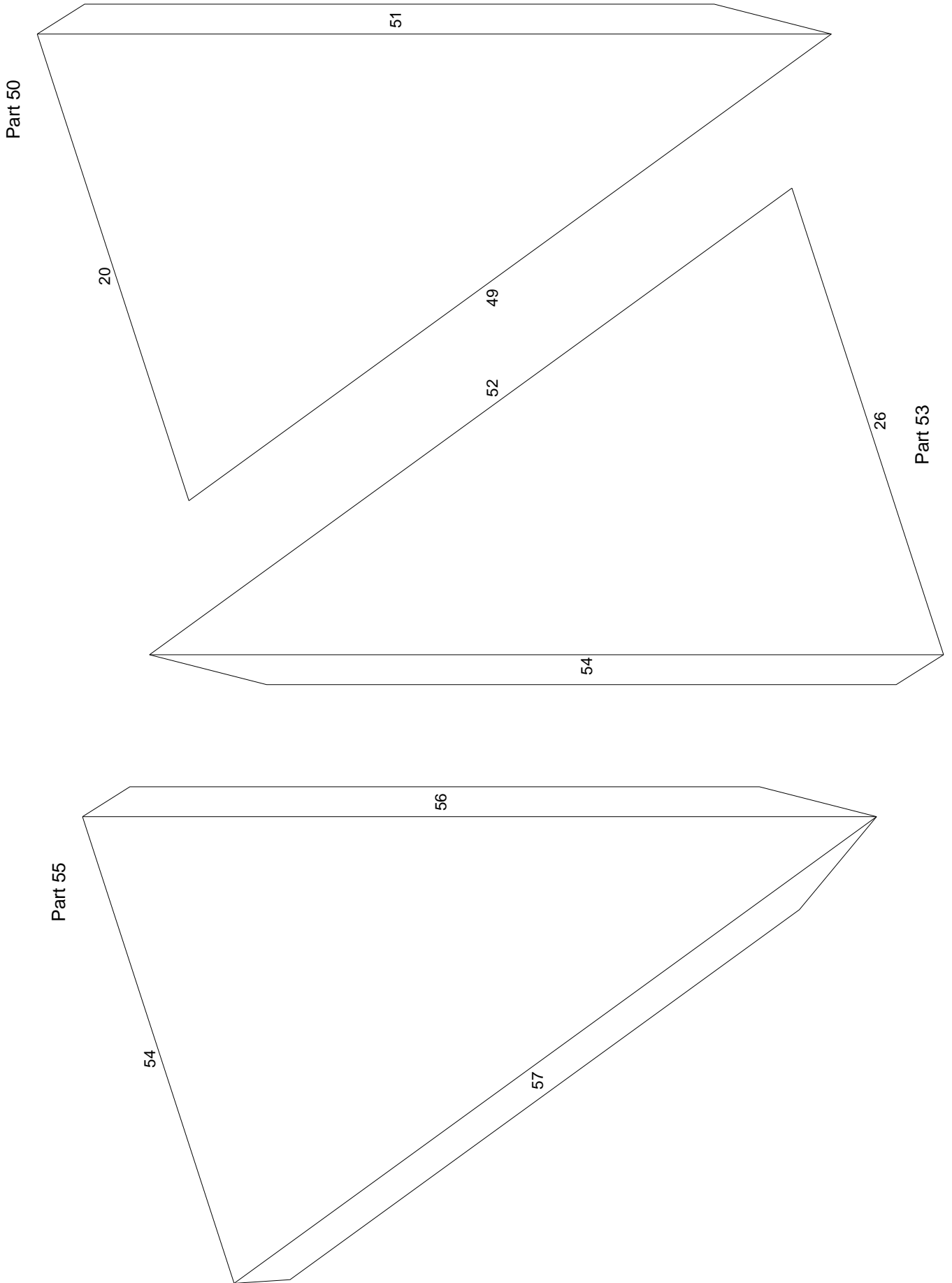
# Great Stellated Dodecahedron

Color 1



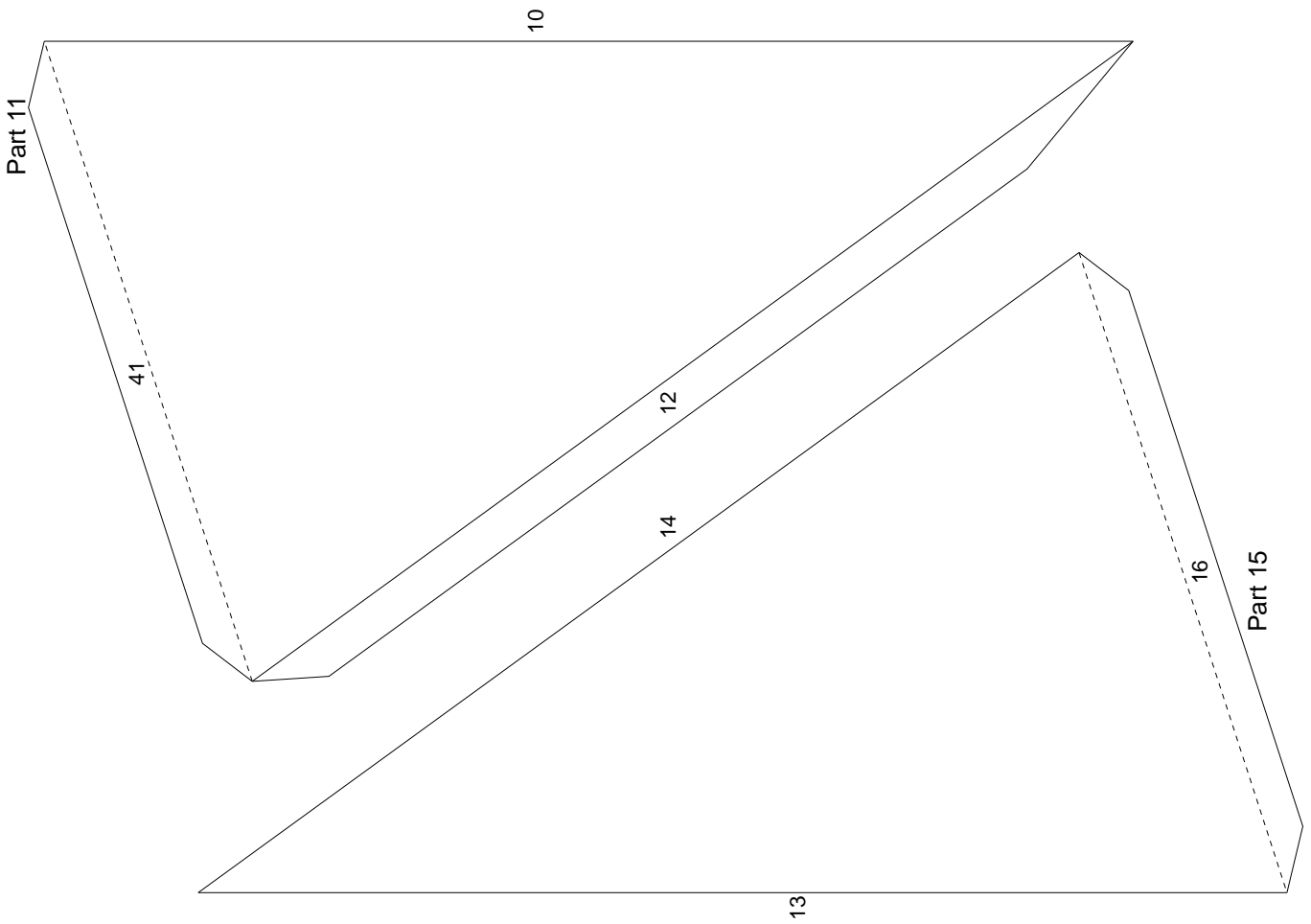
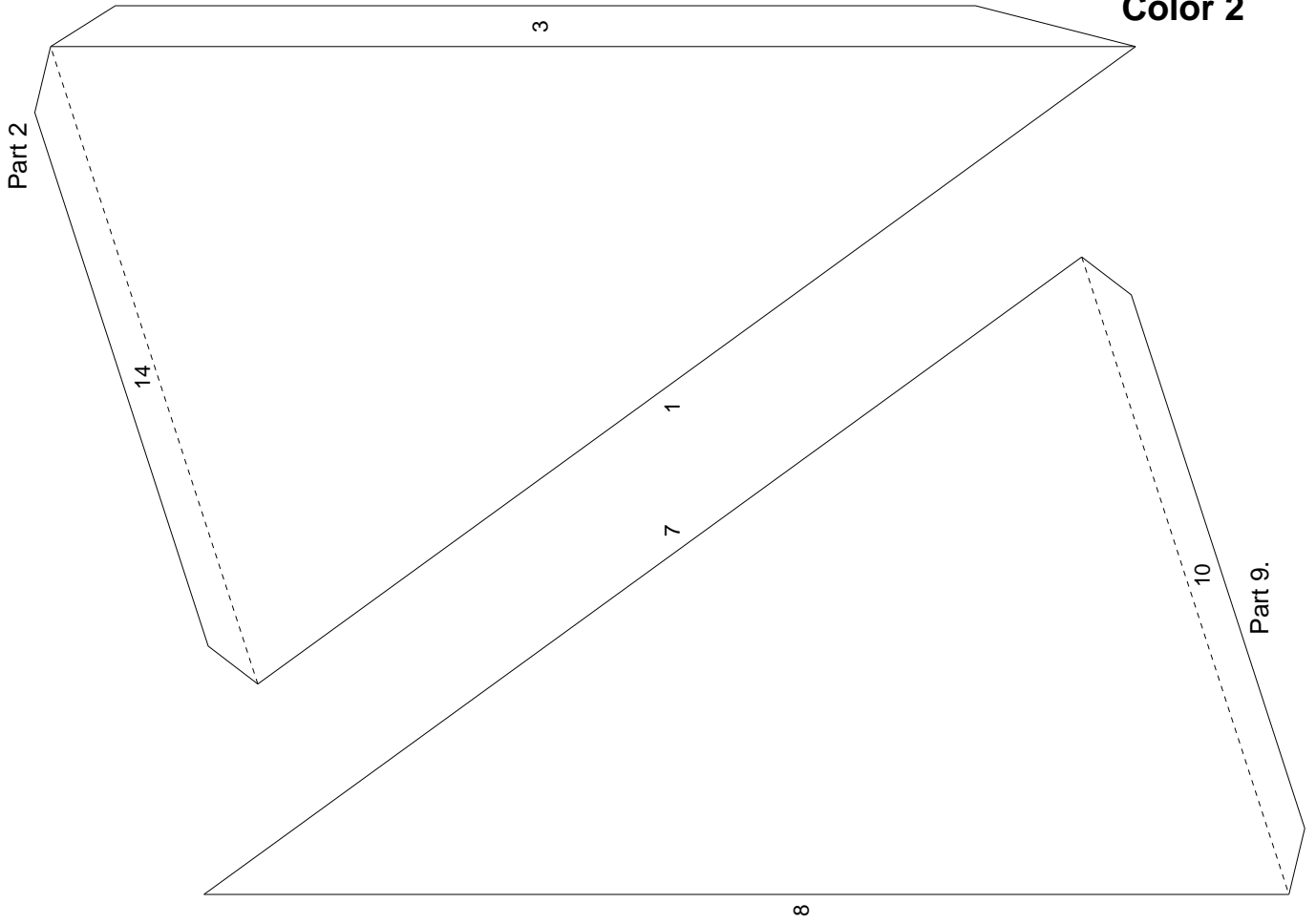
# Great Stellated Dodecahedron

Color 1



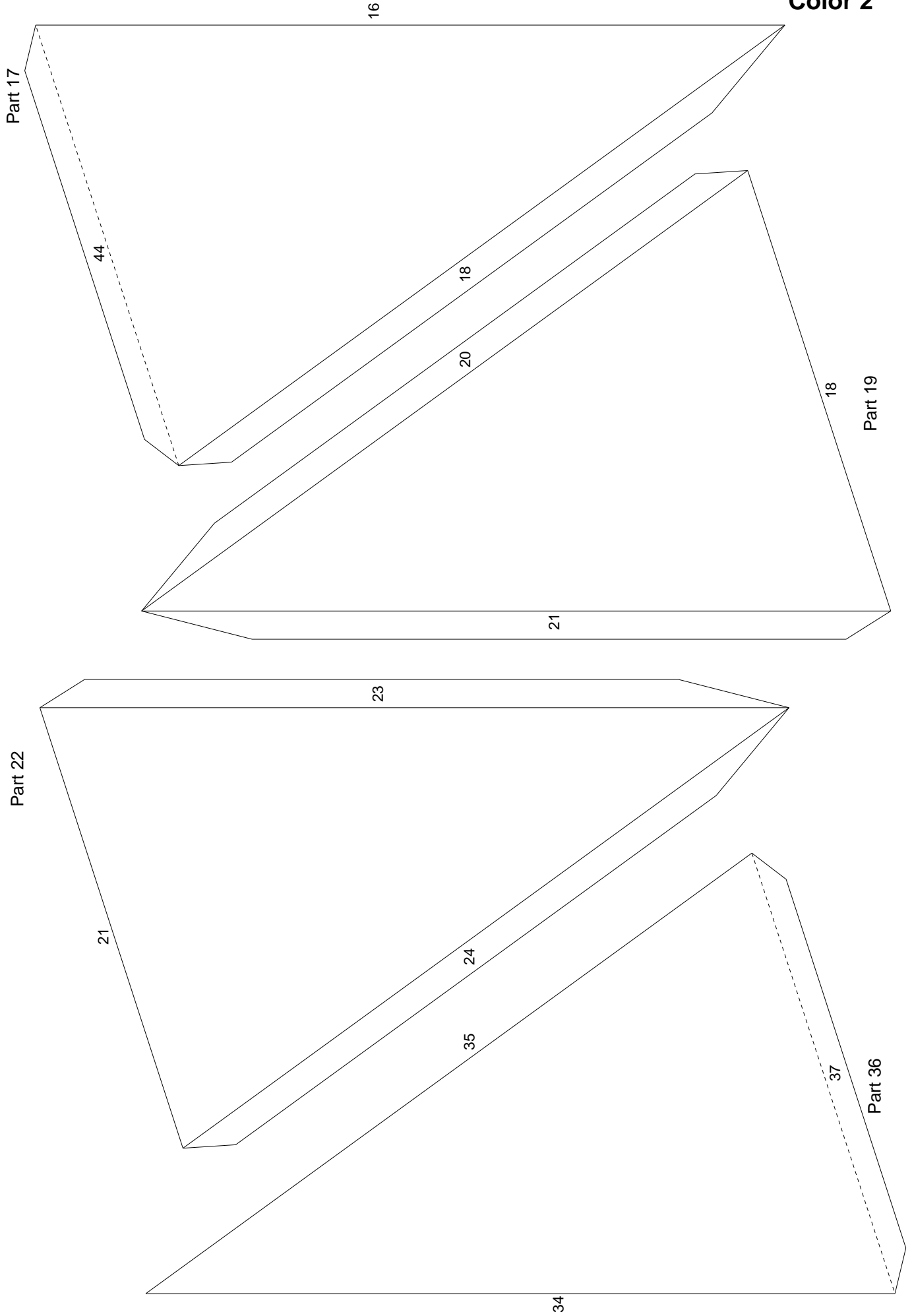
# Great Stellated Dodecahedron

Color 2



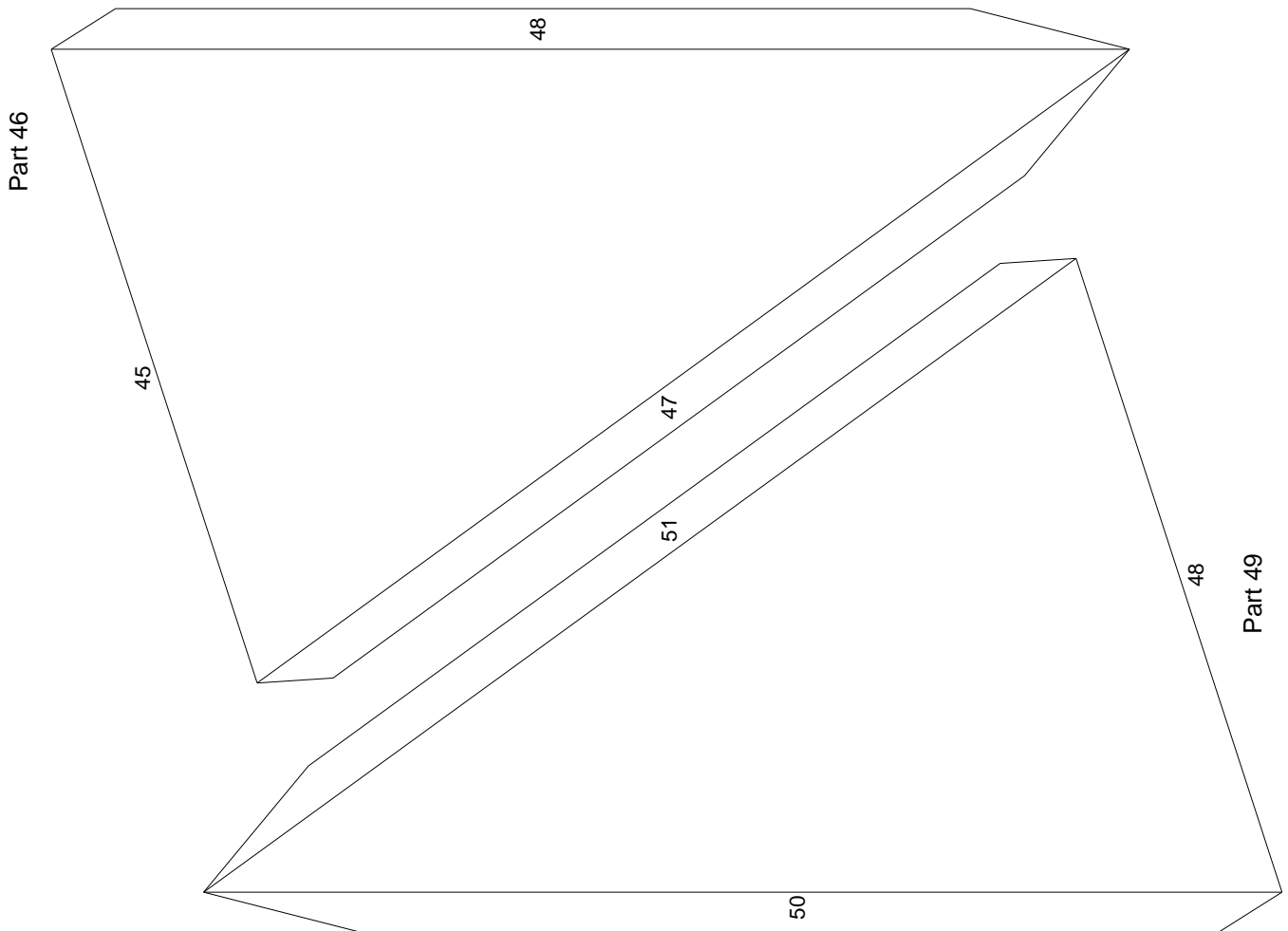
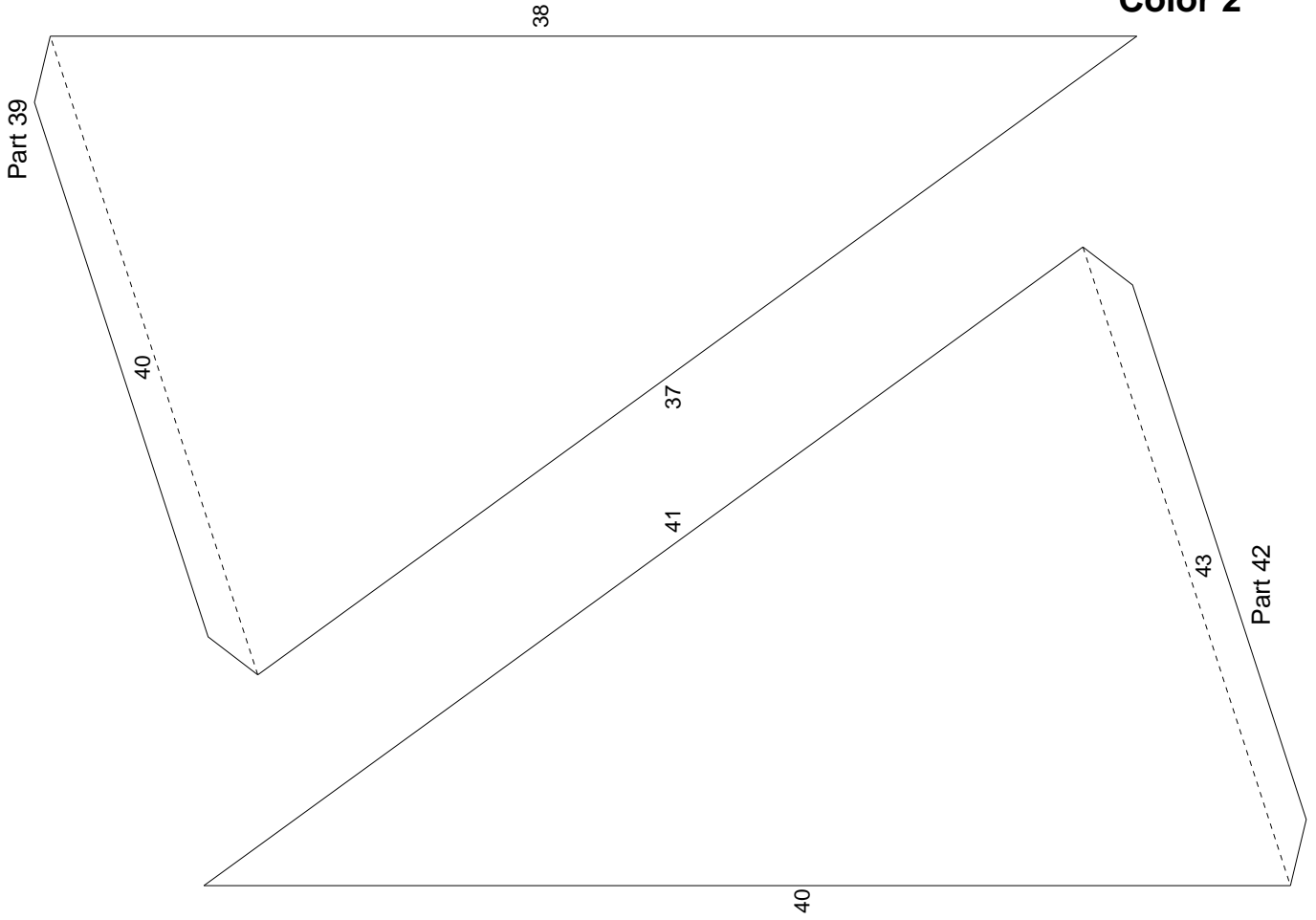
# Great Stellated Dodecahedron

Color 2



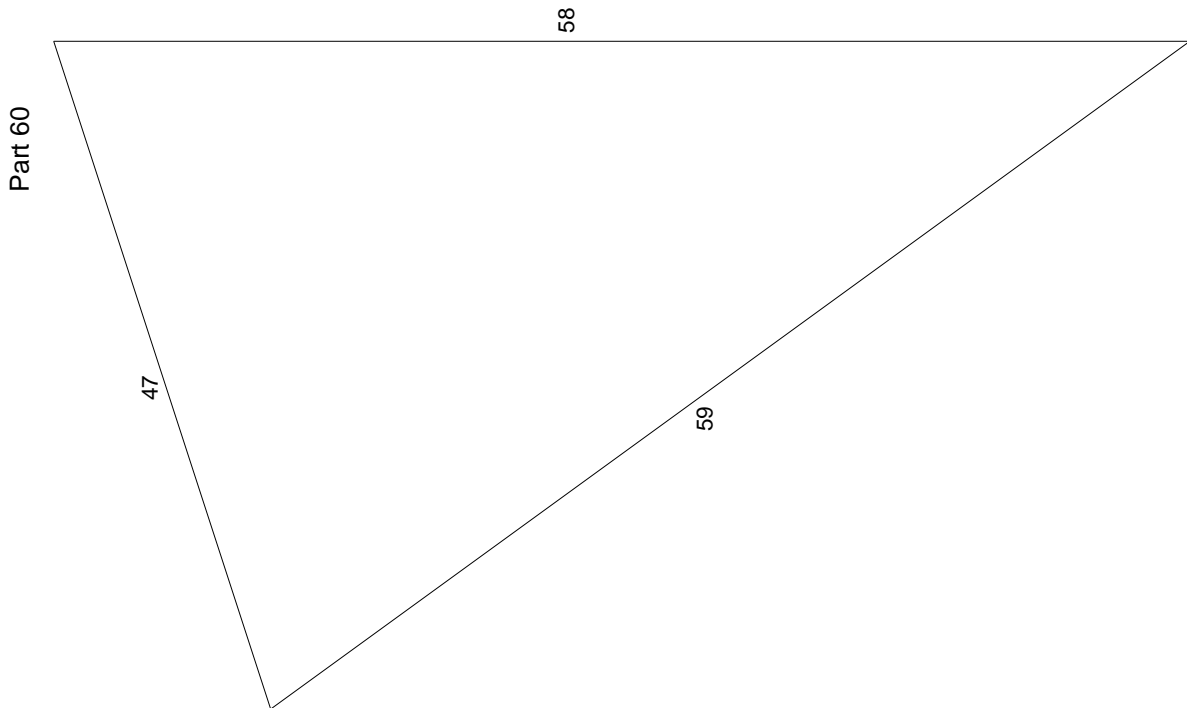
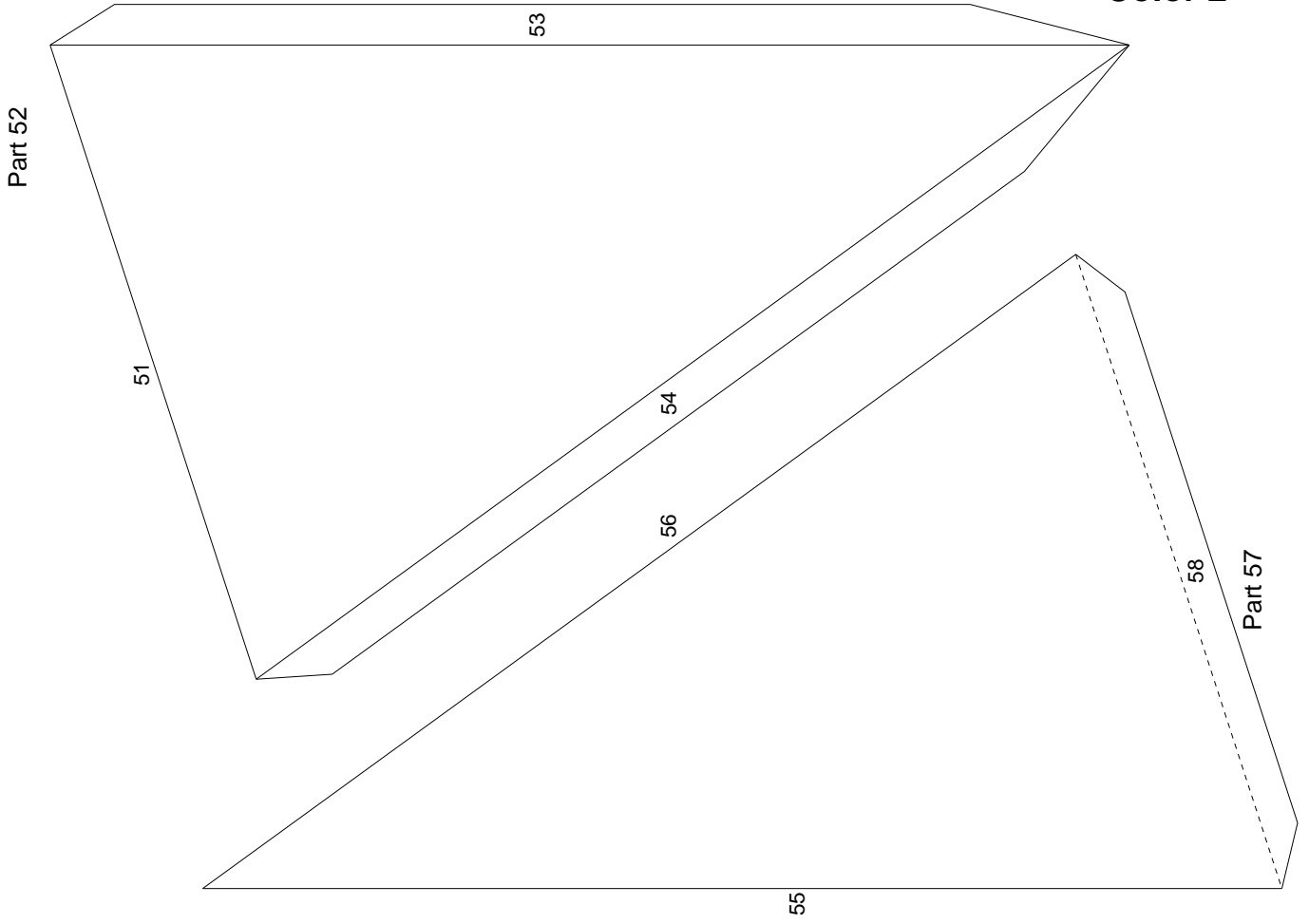
# Great Stellated Dodecahedron

Color 2



# Great Stellated Dodecahedron

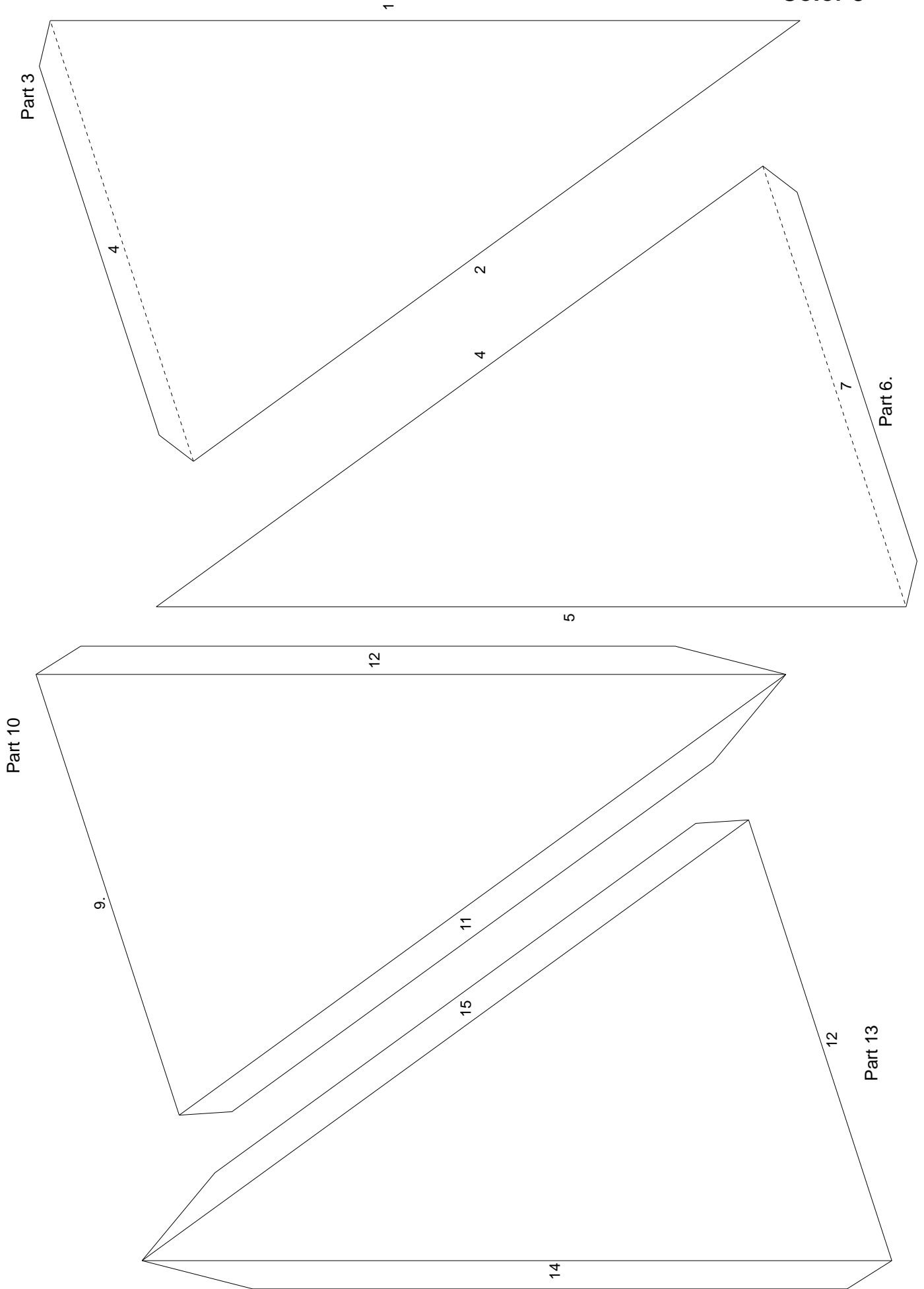
Color 2





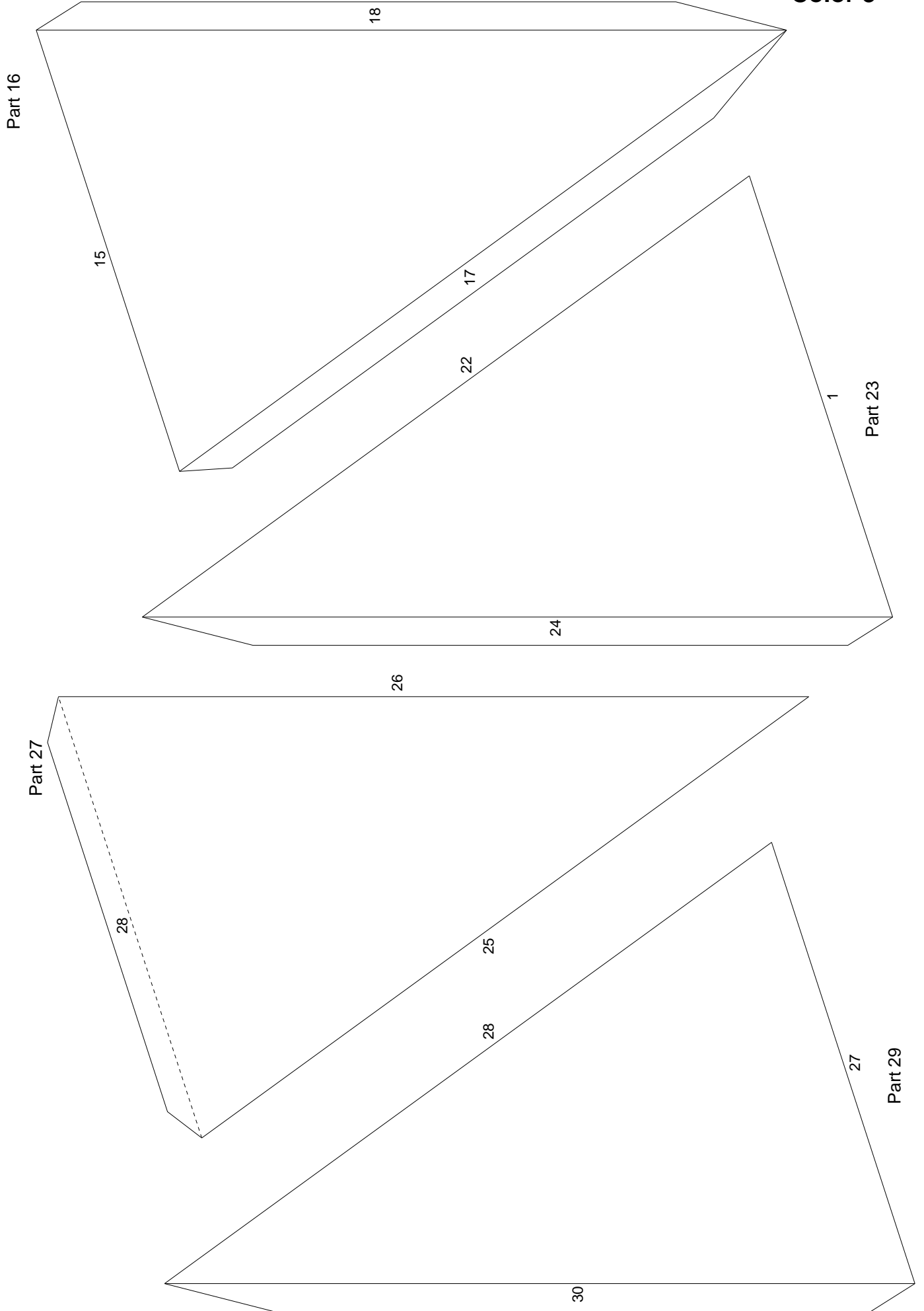
# Great Stellated Dodecahedron

Color 3



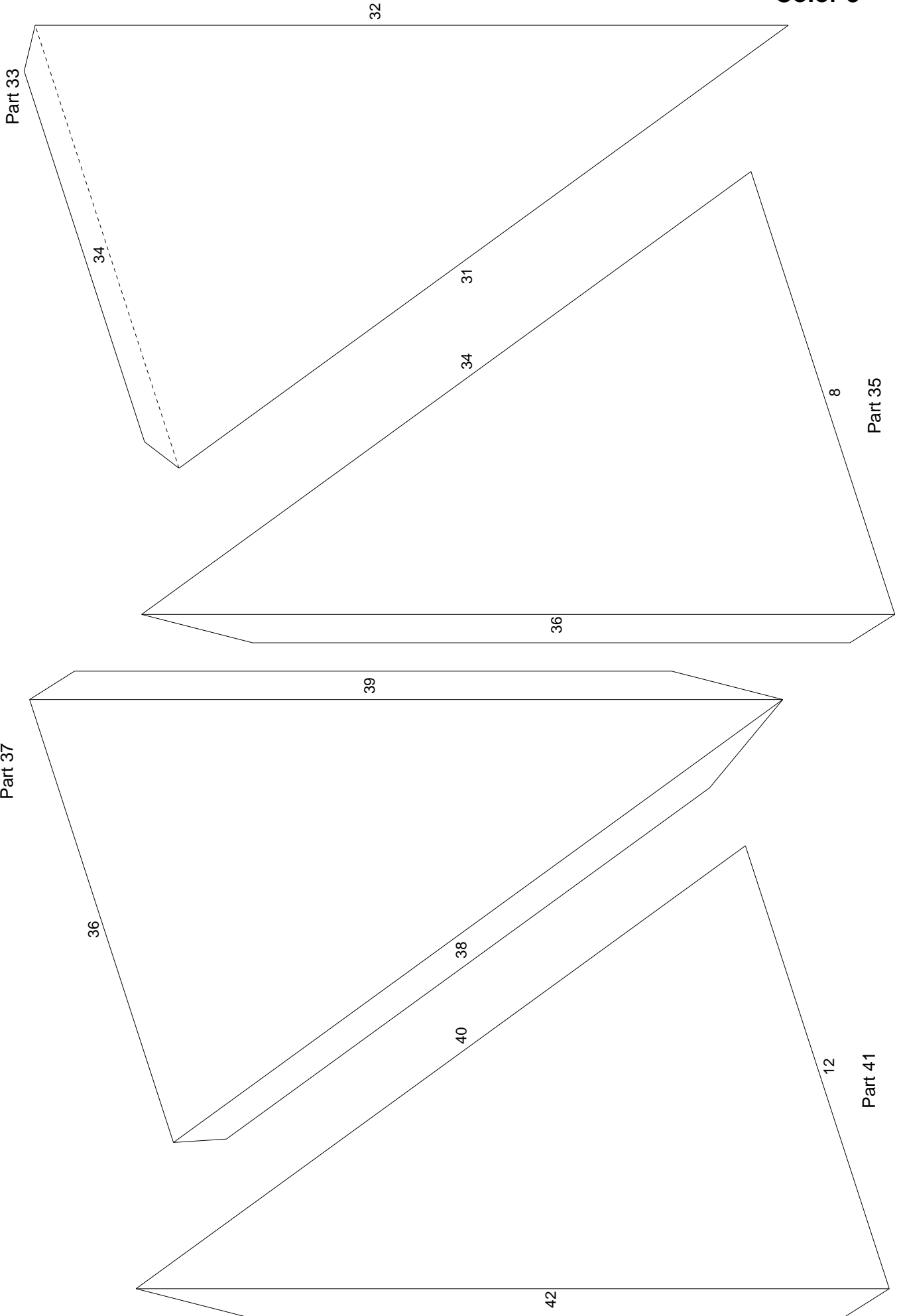
# Great Stellated Dodecahedron

Color 3



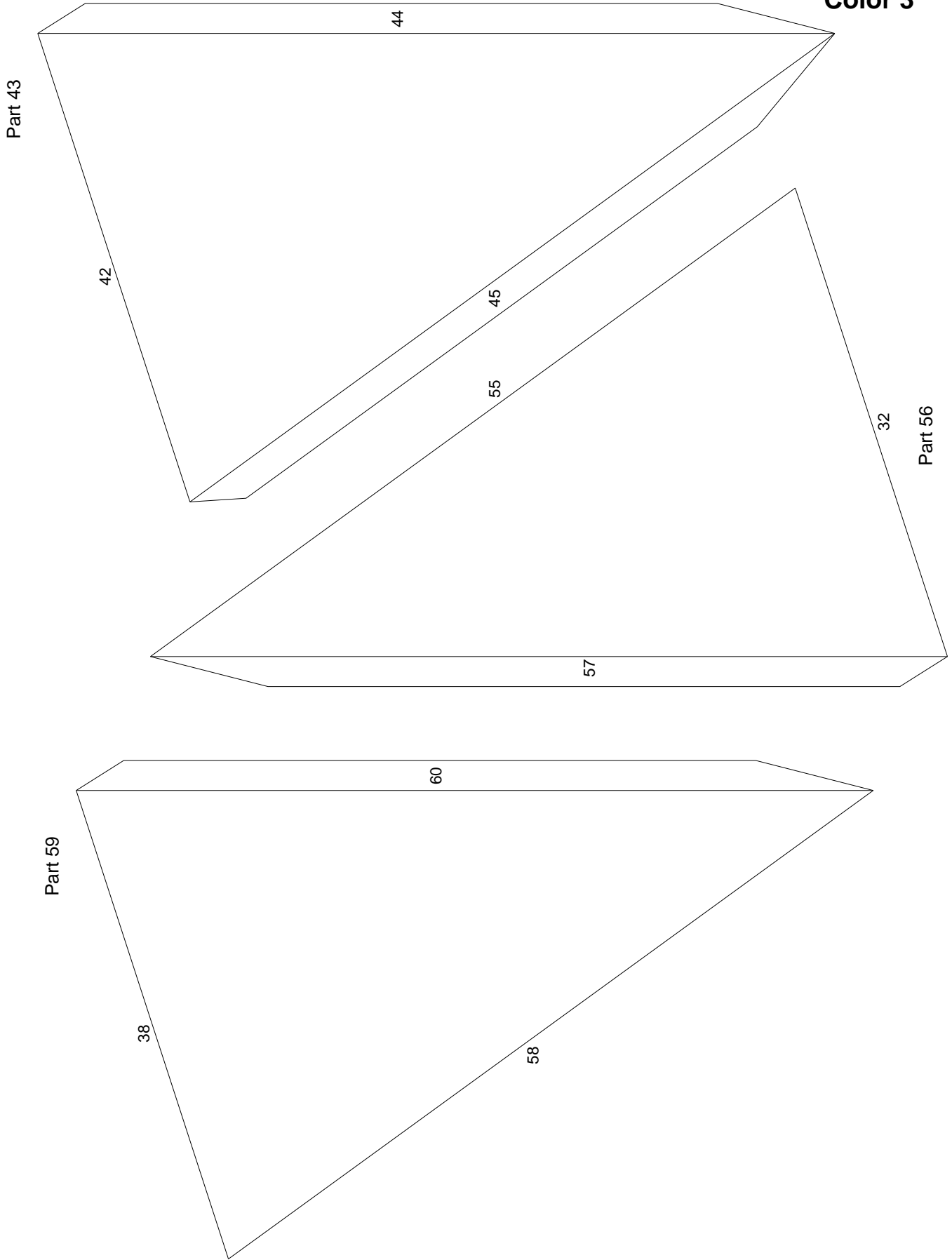
# Great Stellated Dodecahedron

Color 3



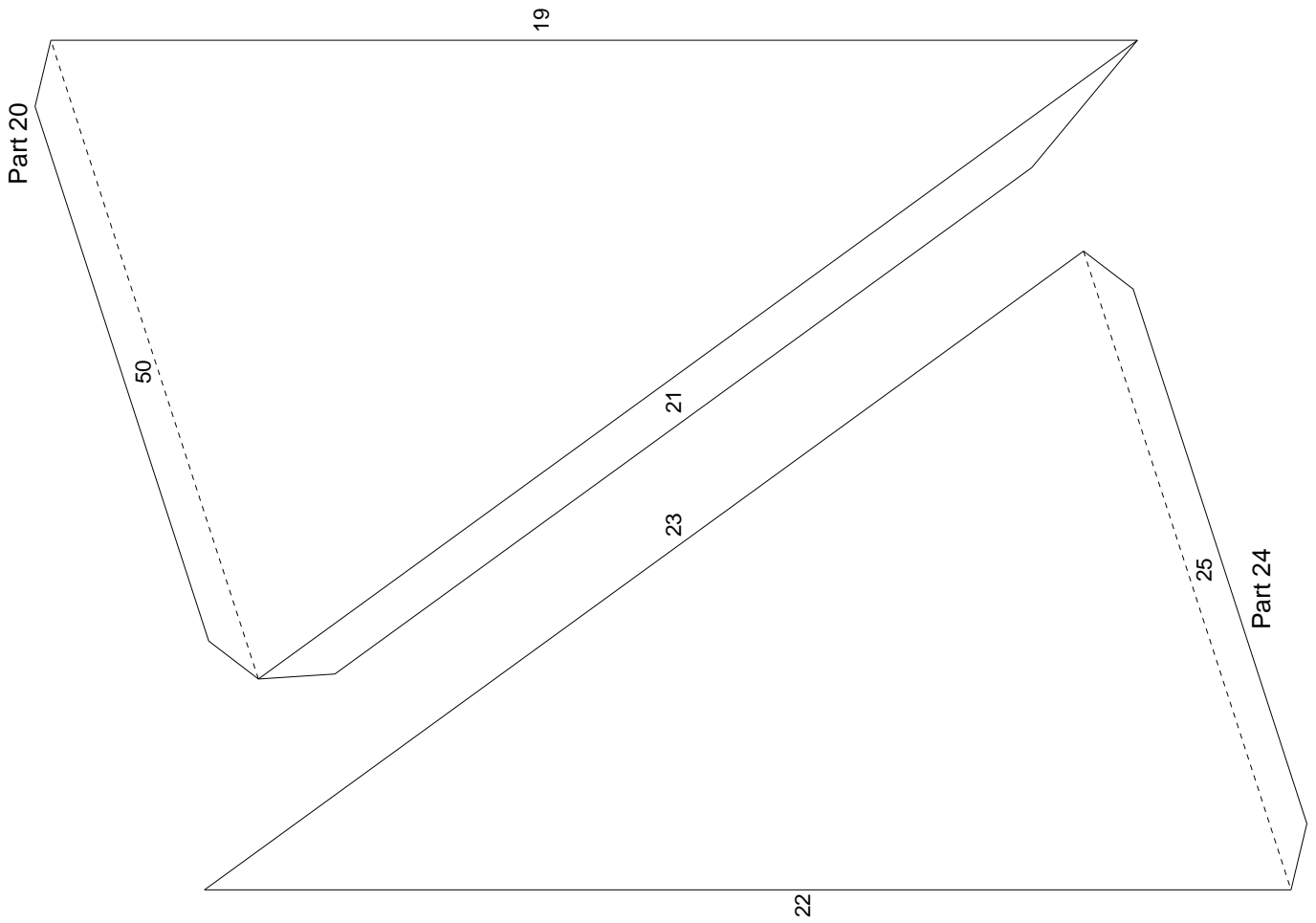
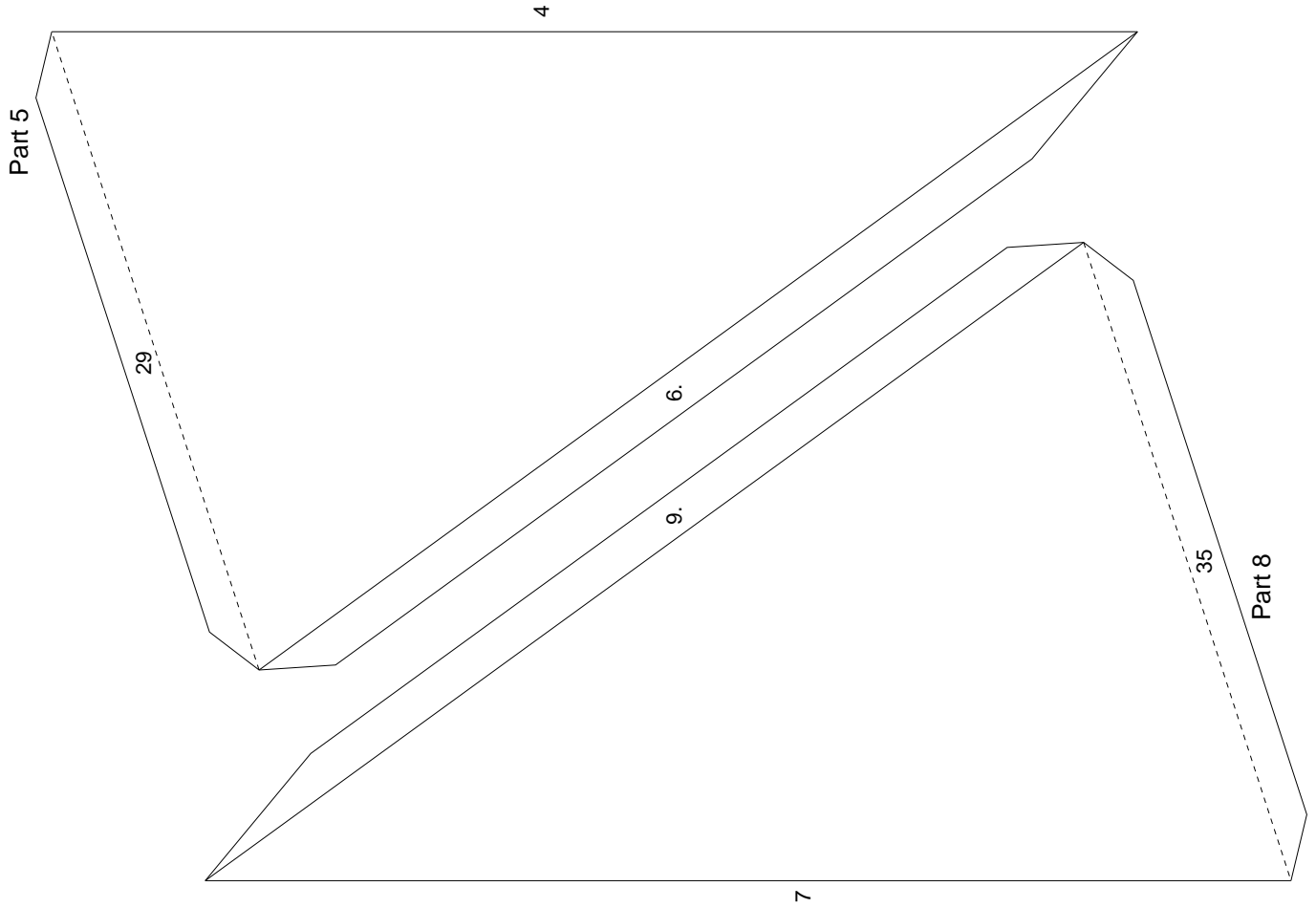
# Great Stellated Dodecahedron

Color 3



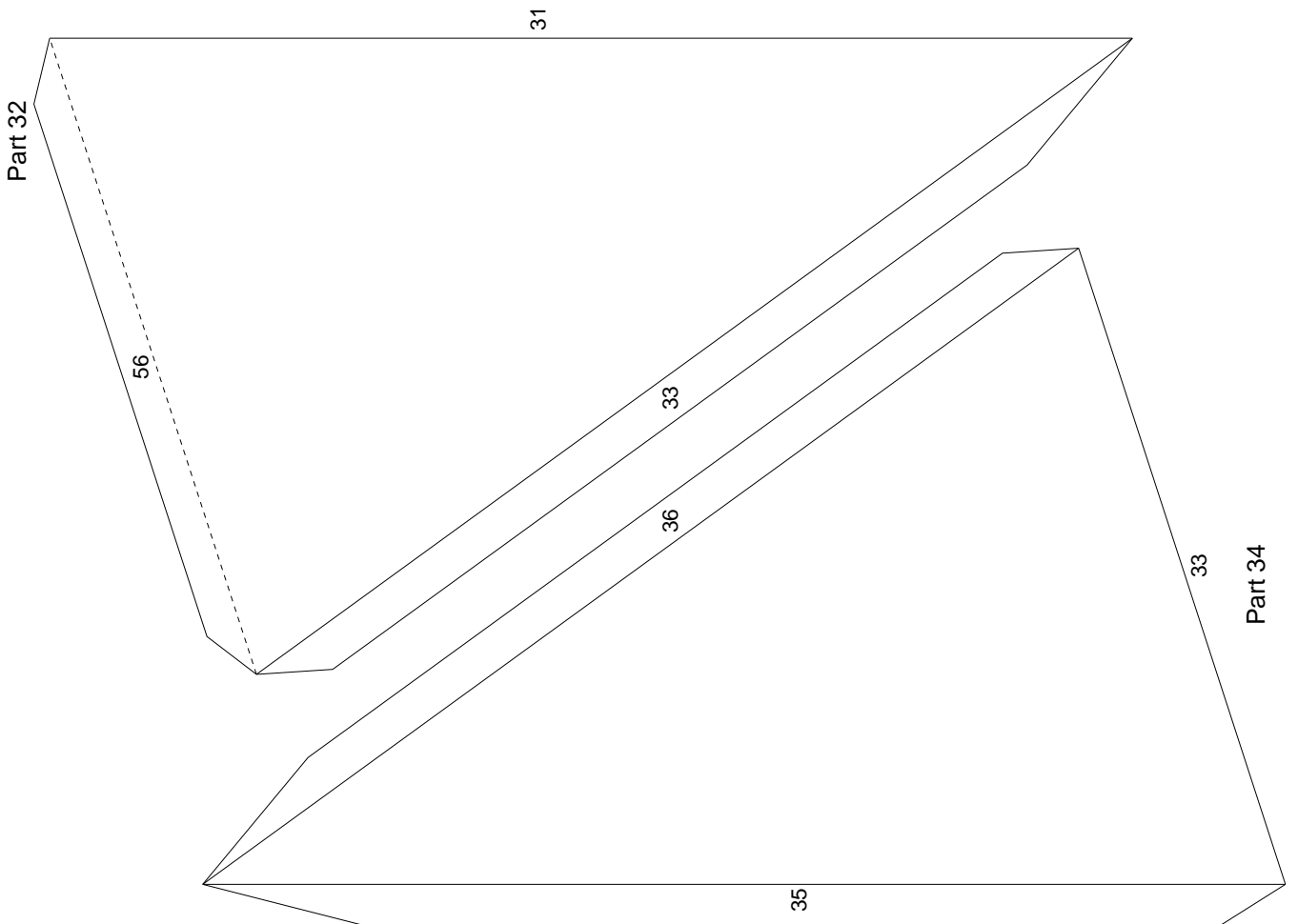
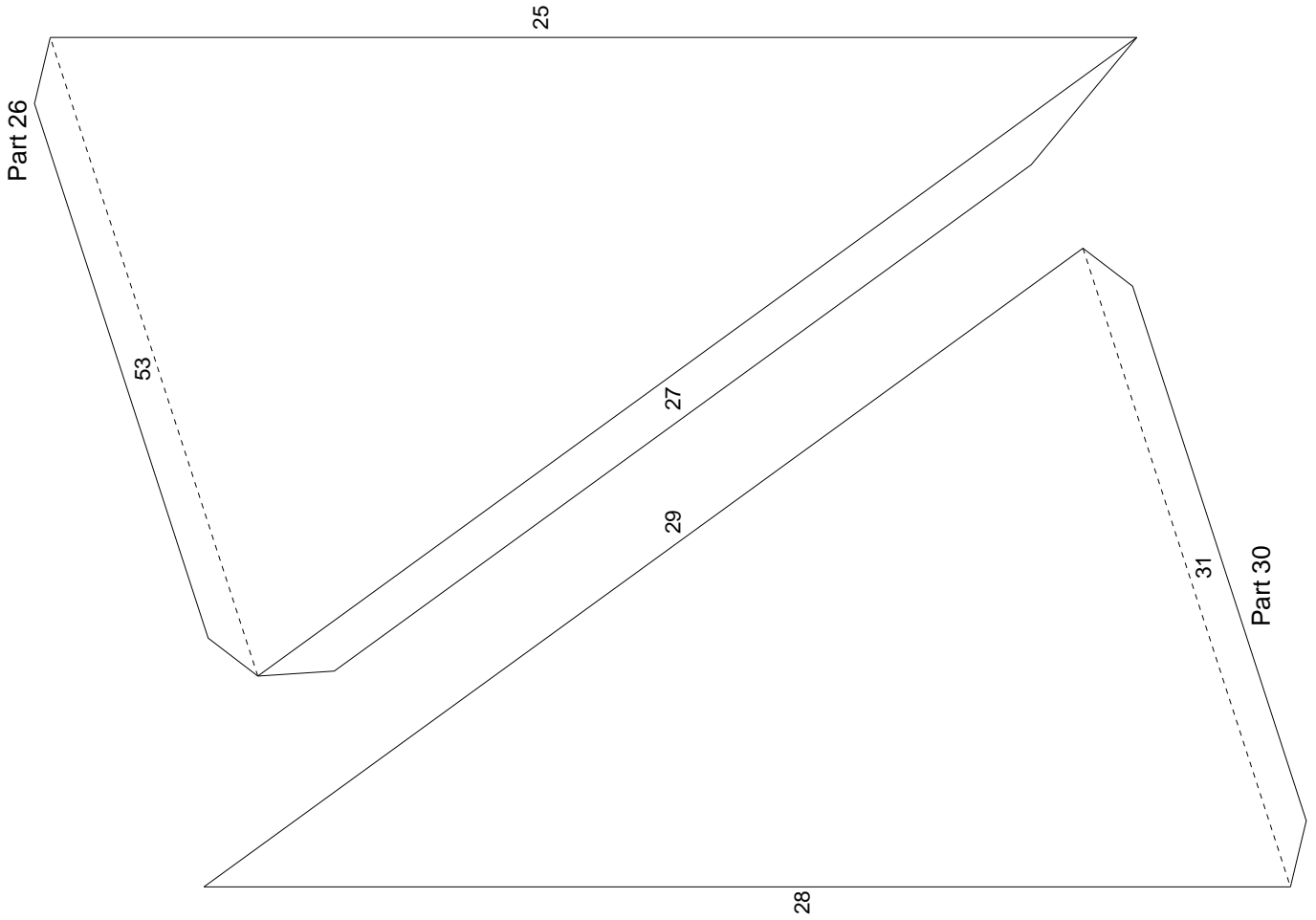
# Great Stellated Dodecahedron

Color 4



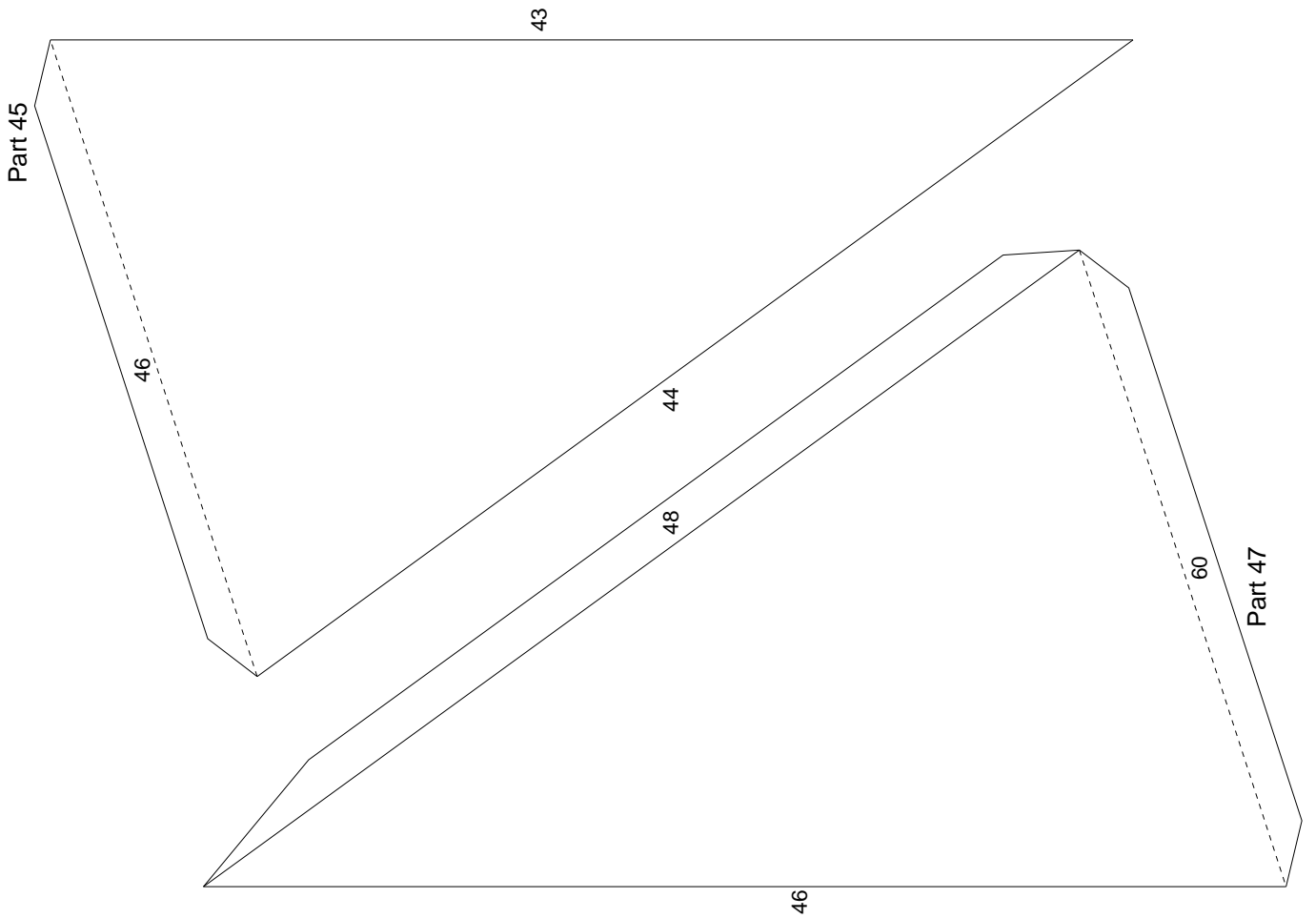
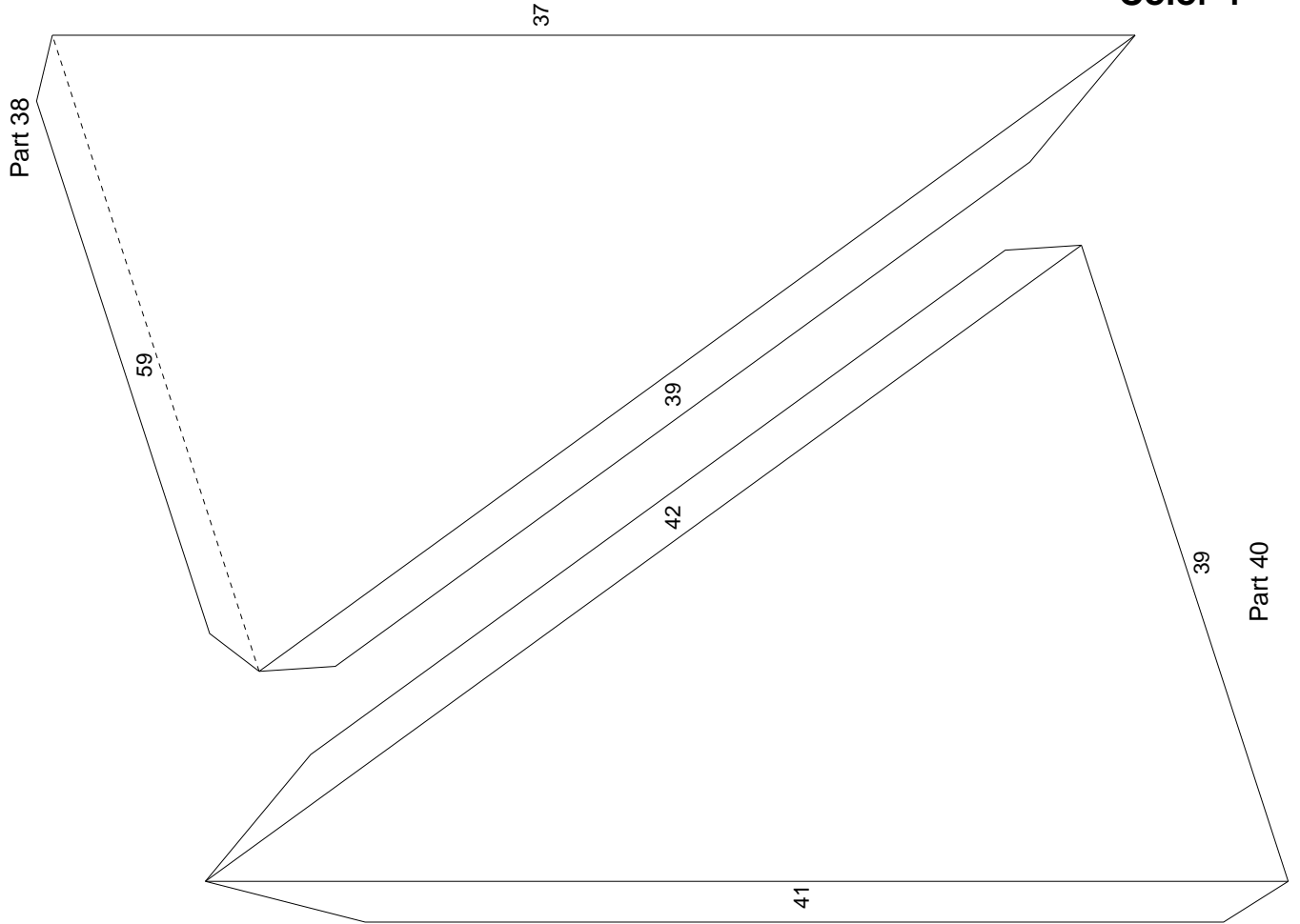
# Great Stellated Dodecahedron

Color 4



# Great Stellated Dodecahedron

Color 4



# Great Stellated Dodecahedron

Color 4

