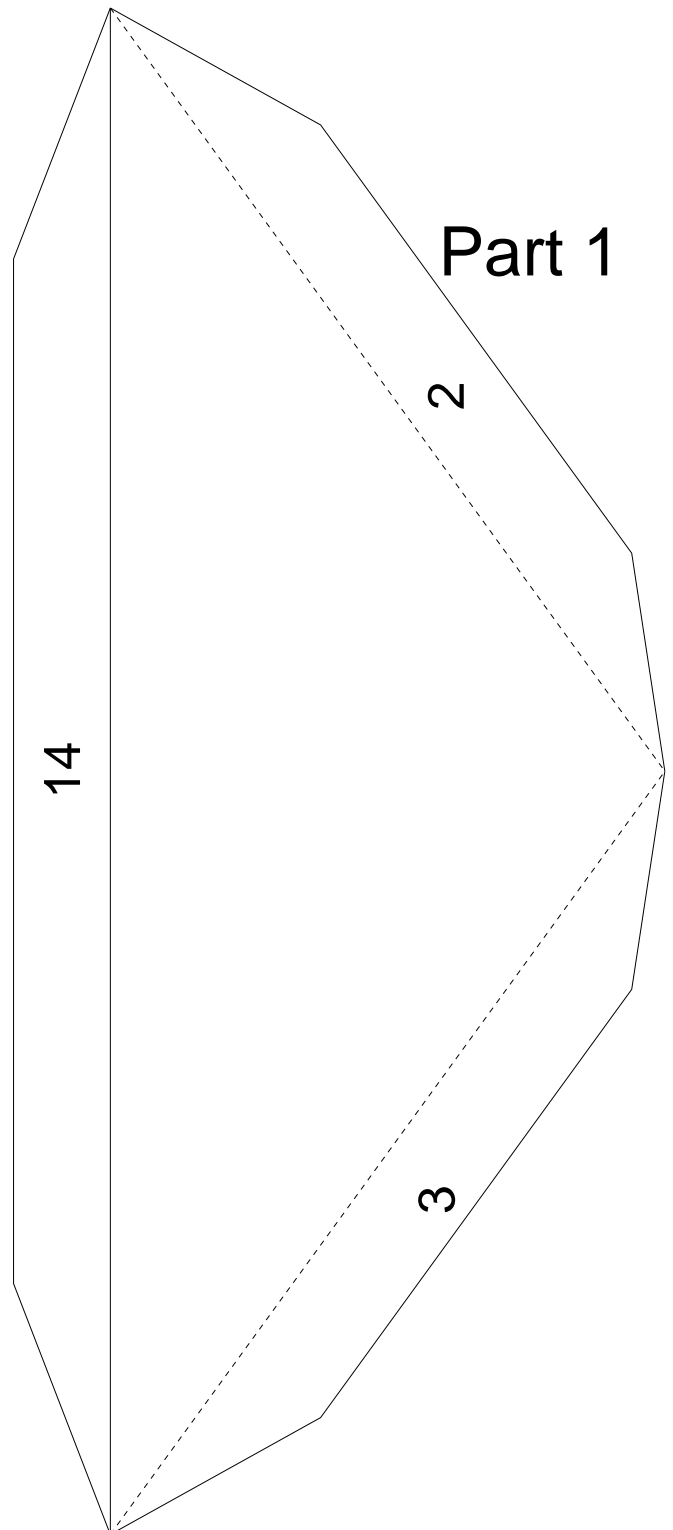
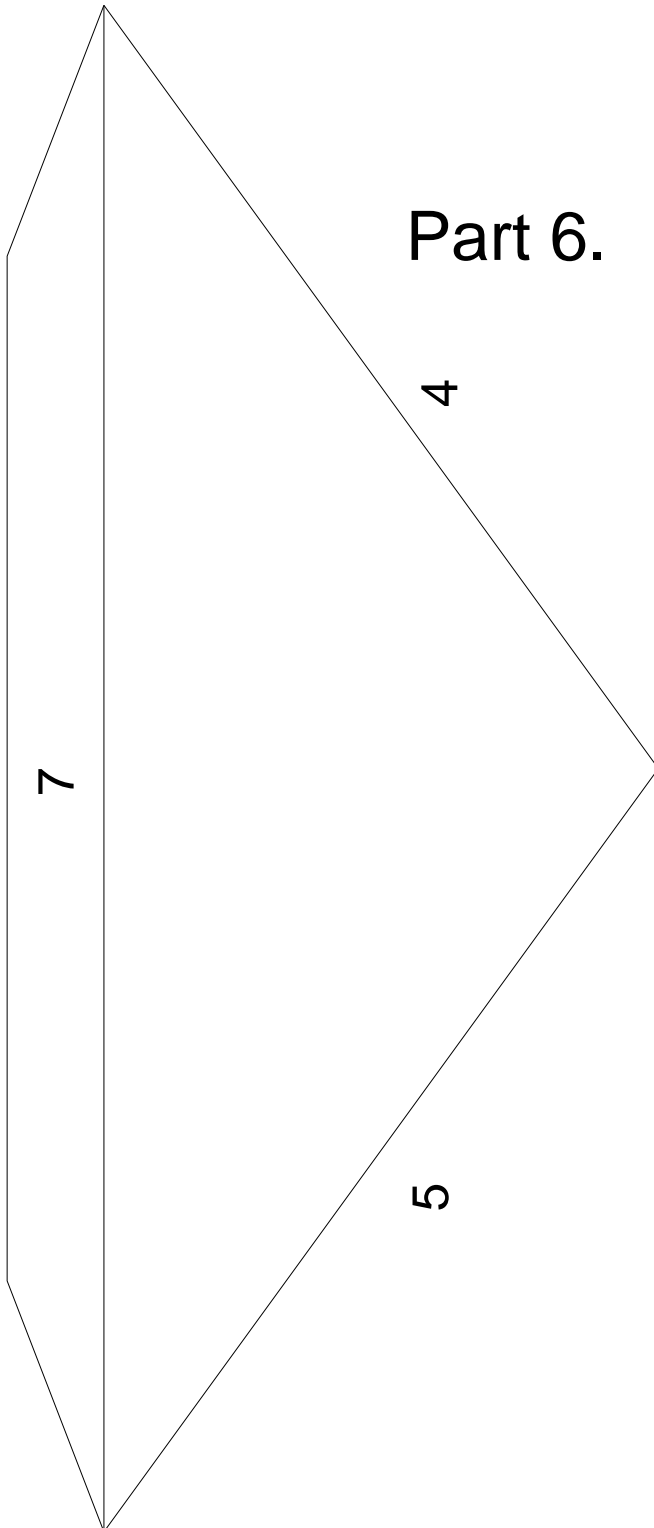


Great Dodecahedron

1. Start with part 1 and glue part 2 on the tab of part 1 with the number 2.
2. Glue part 3 on the parts 1 and 2 on the tab(s) with the number 3.
3. Glue part 4 on the parts 1, 2 and 3 on the tab(s) with the number 4.
- Etc.

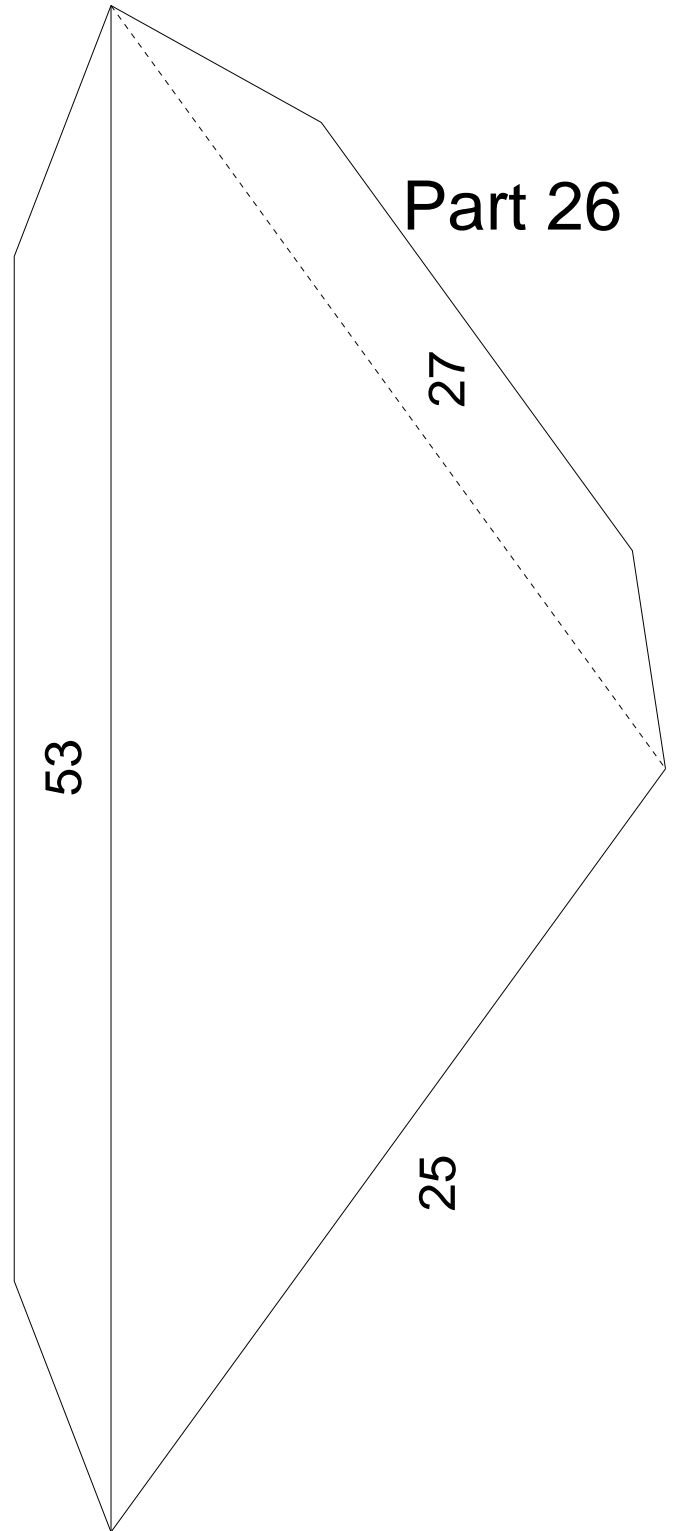
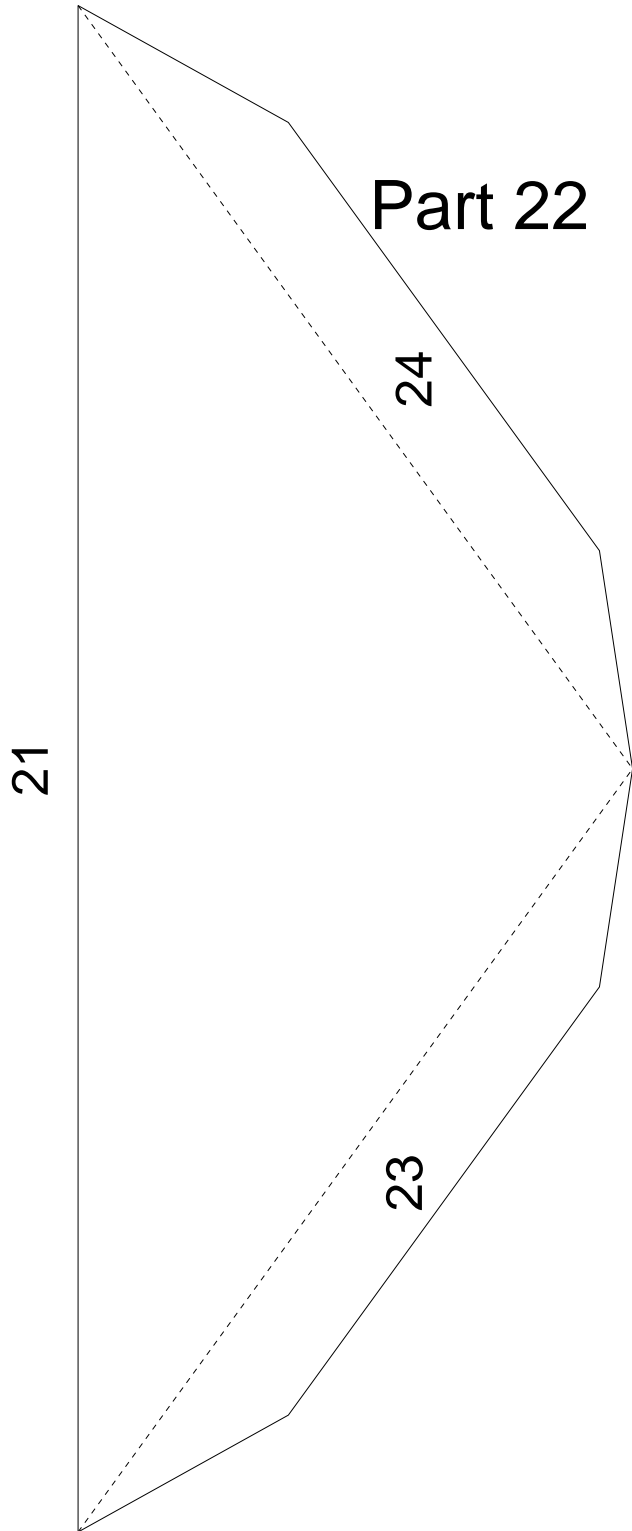
Color 1

Print the model on six
different colored papers
(each color 5 sheets of paper)



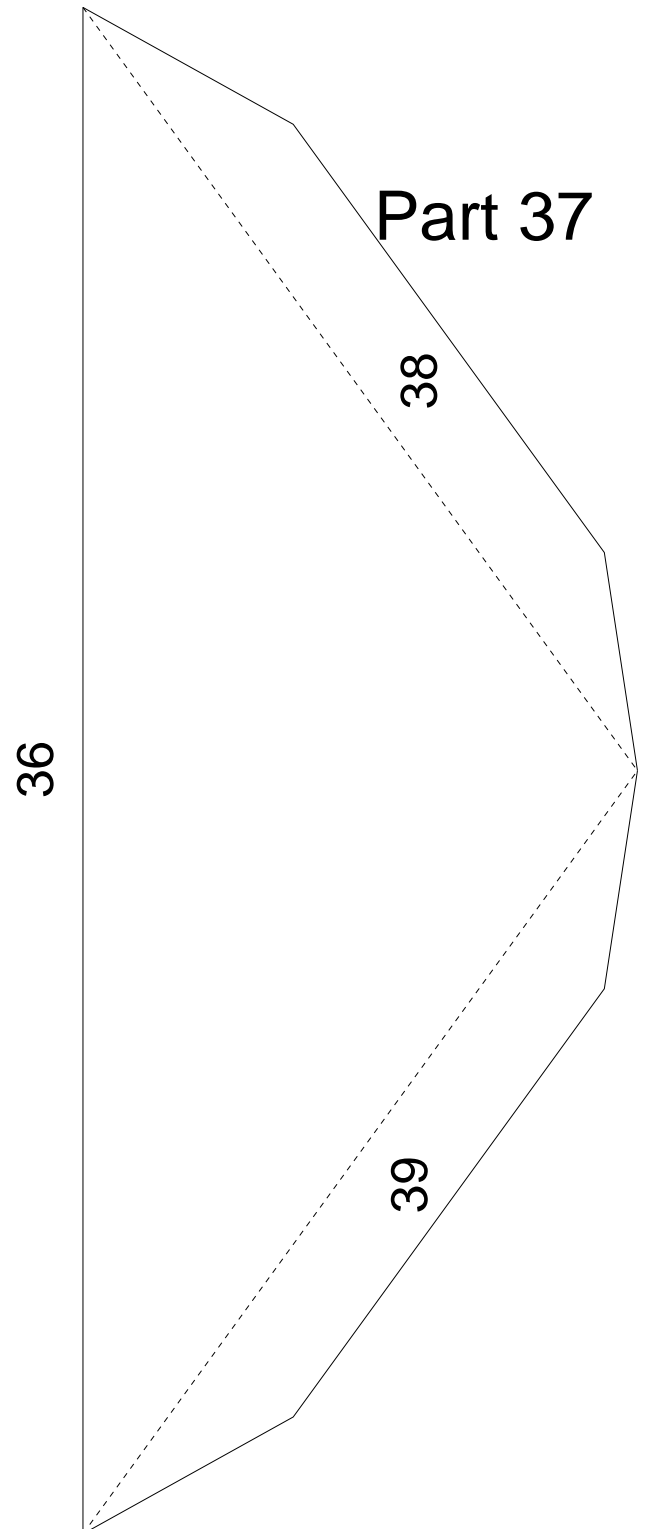
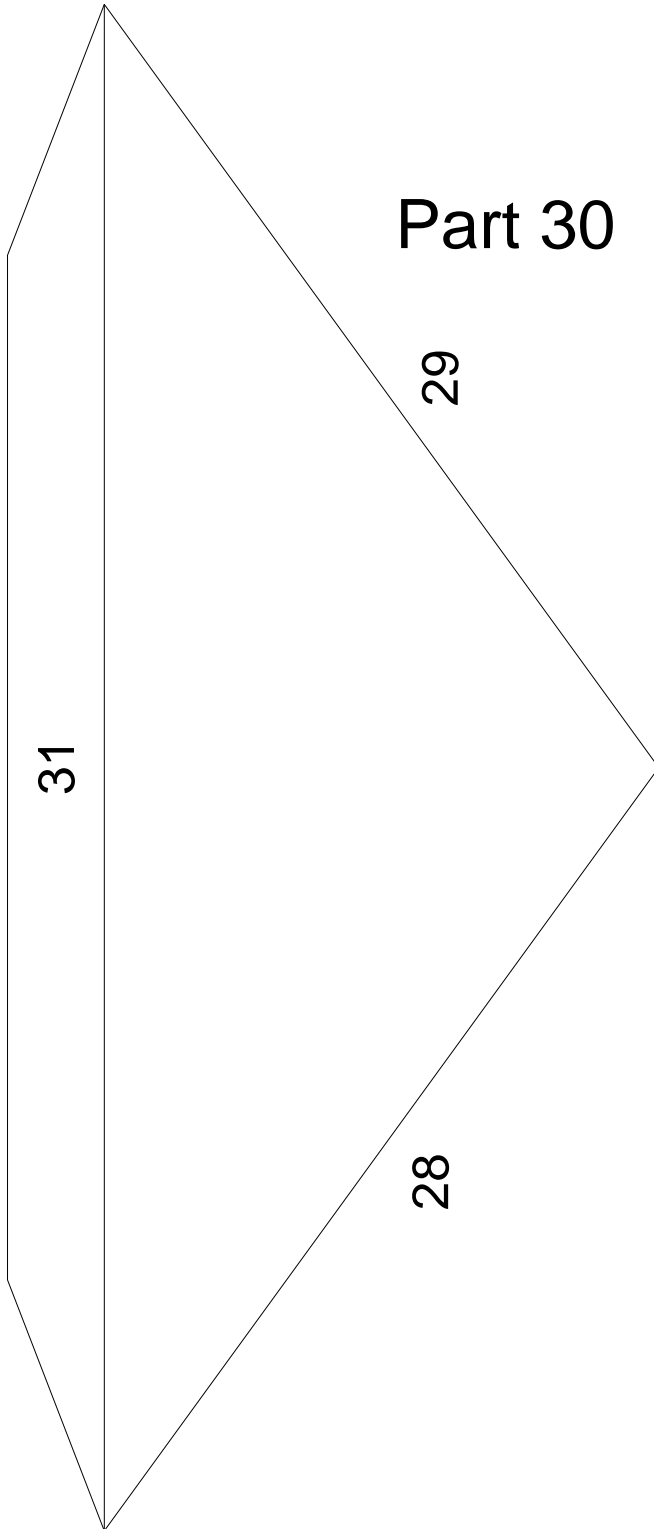
Great Dodecahedron

Color 1



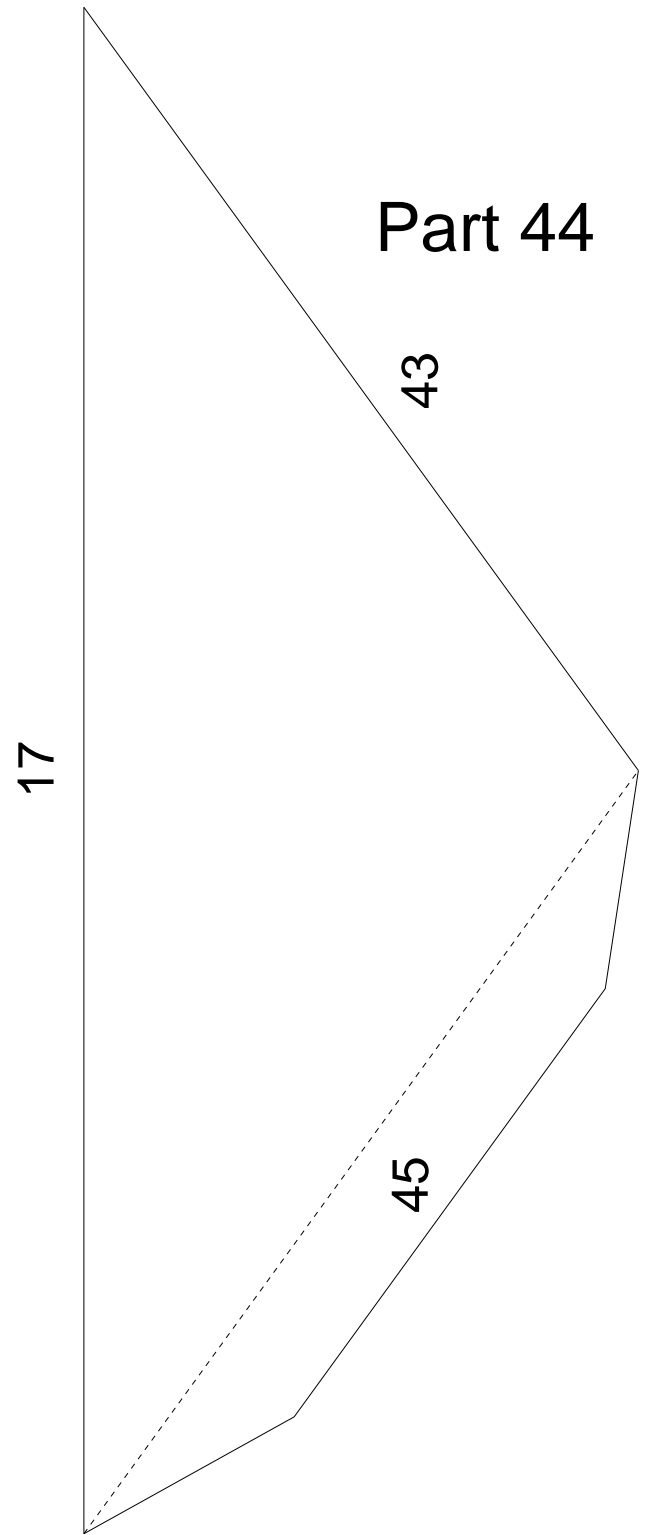
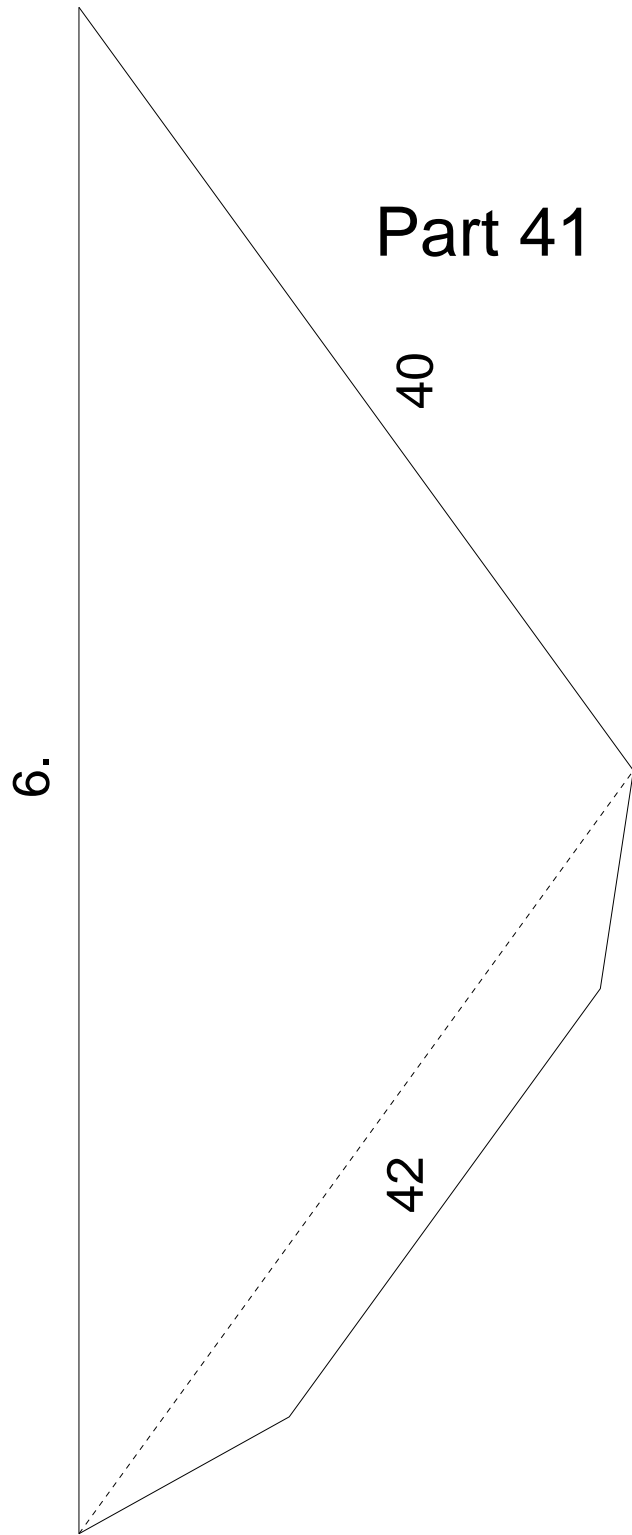
Great Dodecahedron

Color 1



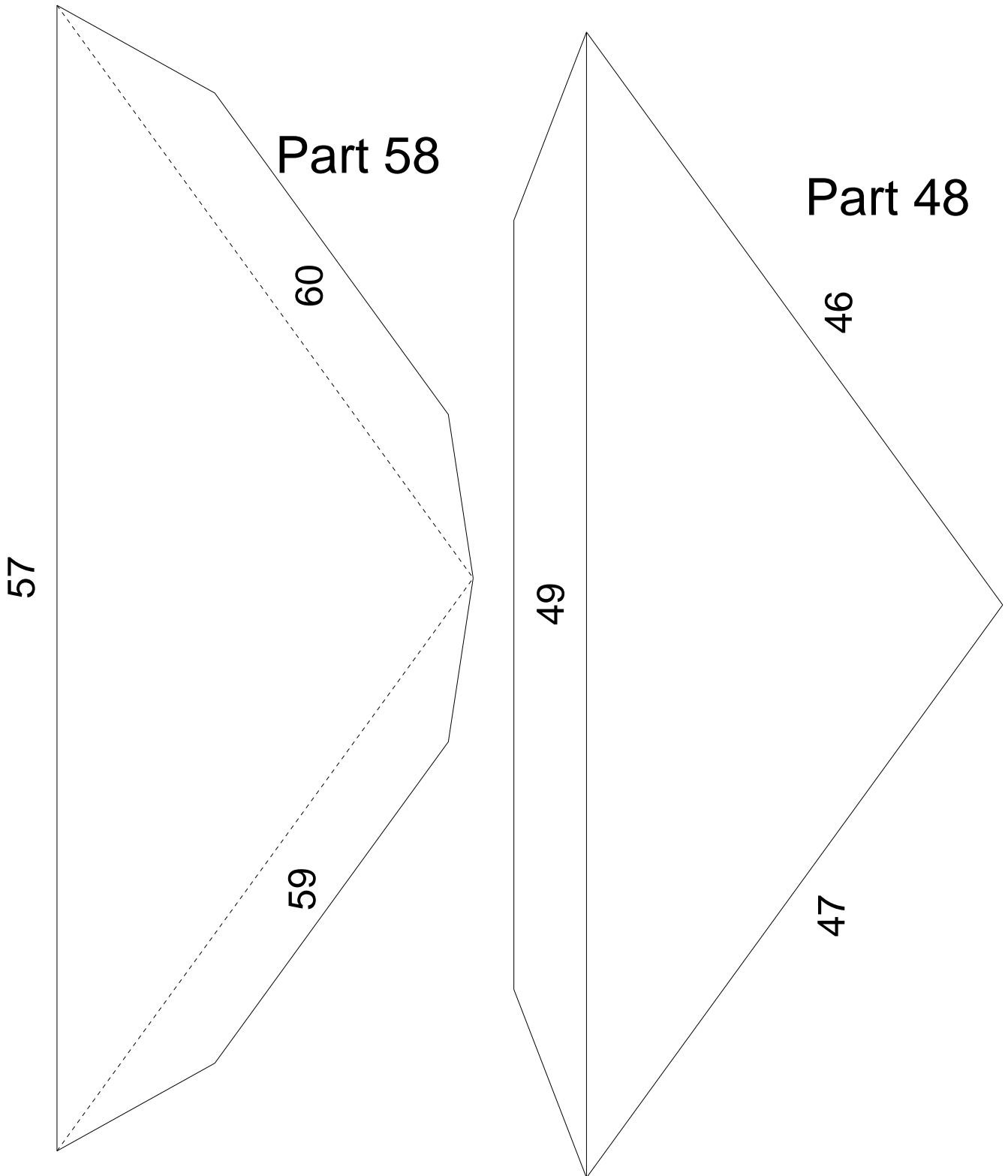
Great Dodecahedron

Color 1



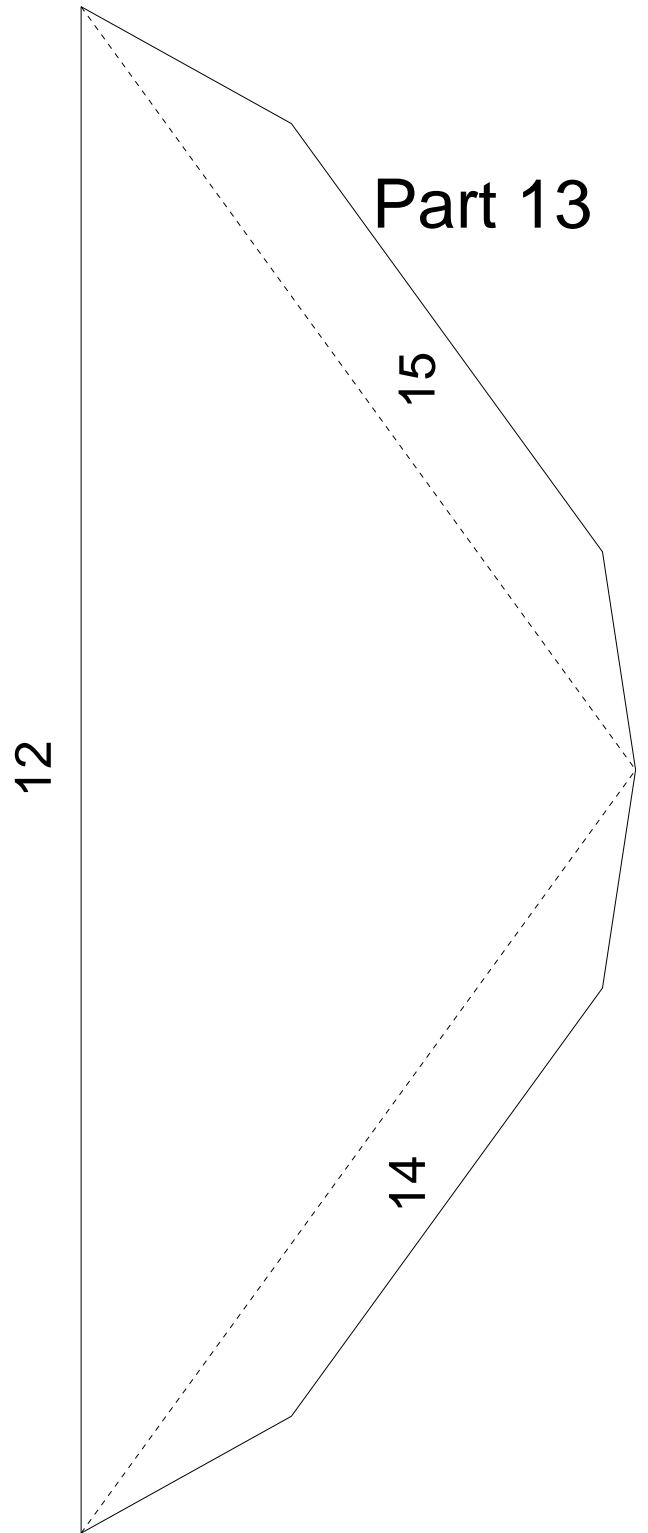
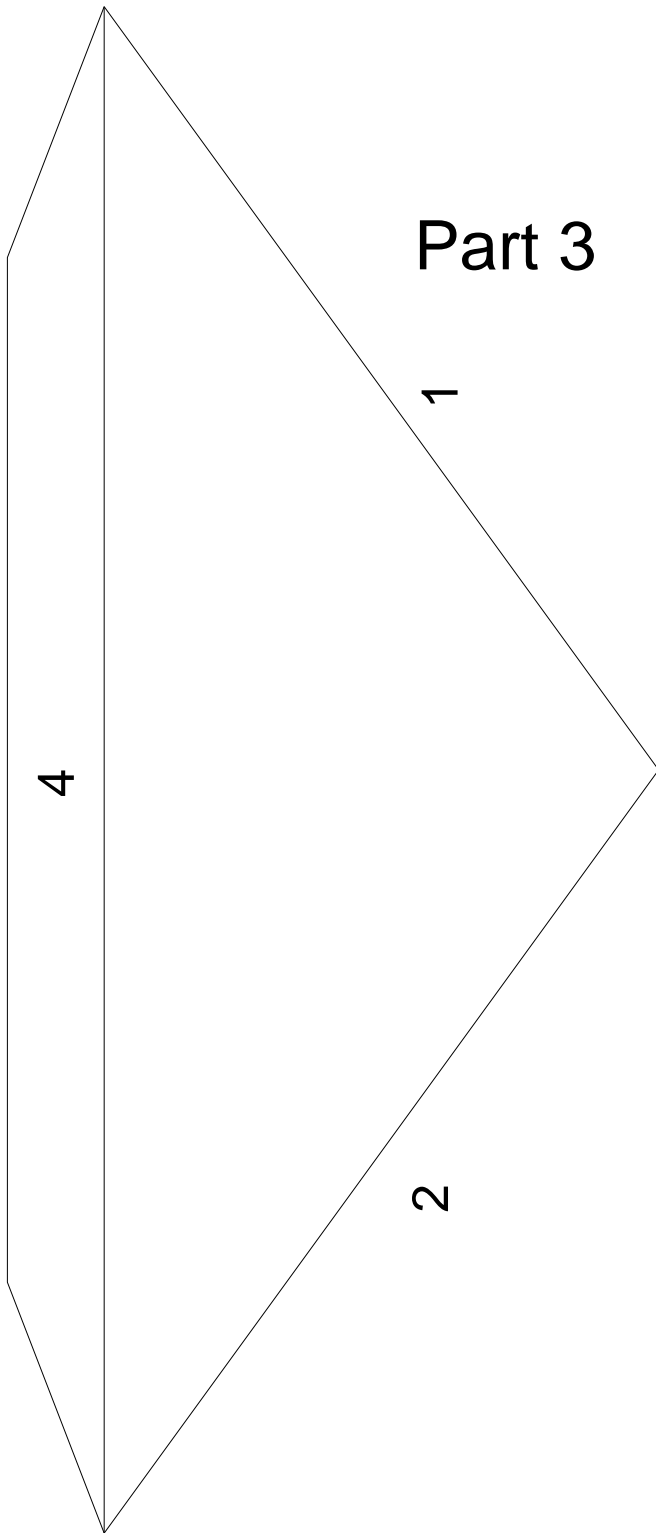
Great Dodecahedron

Color 1



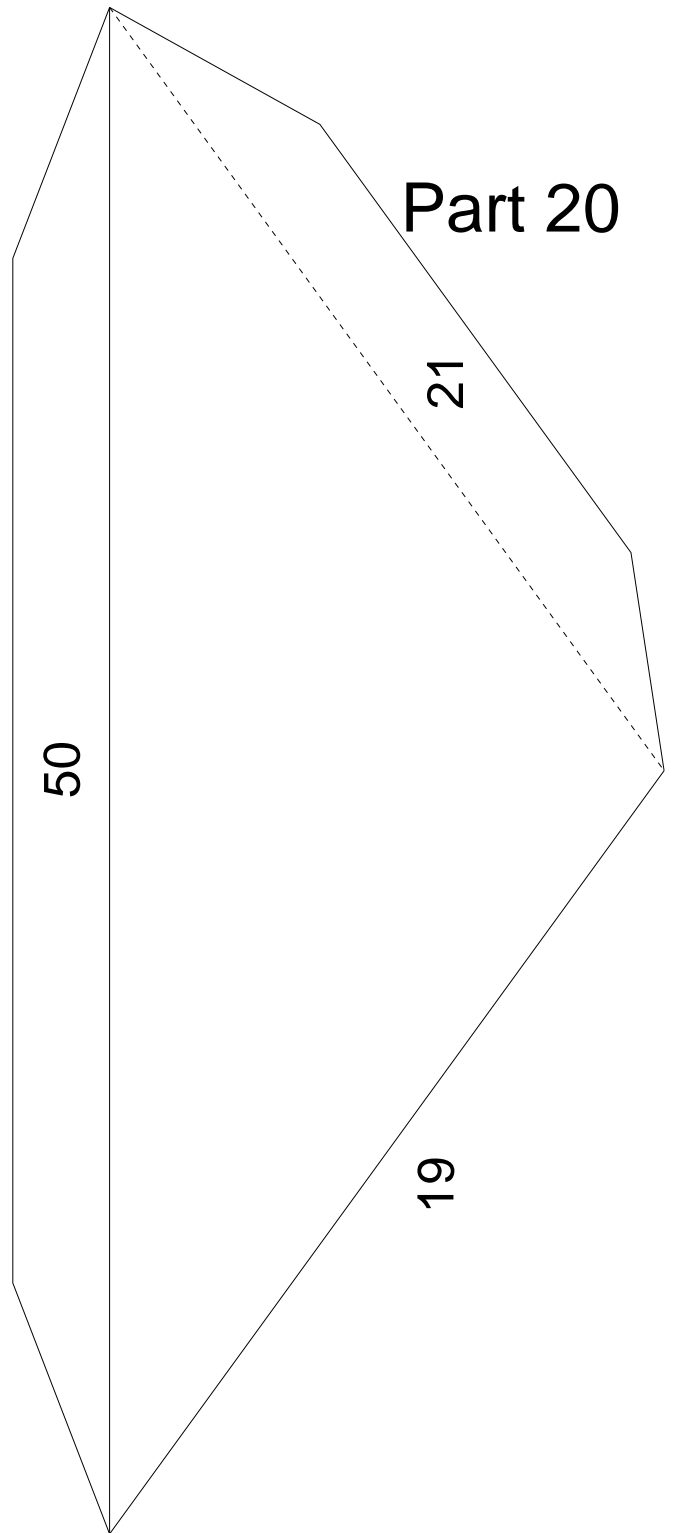
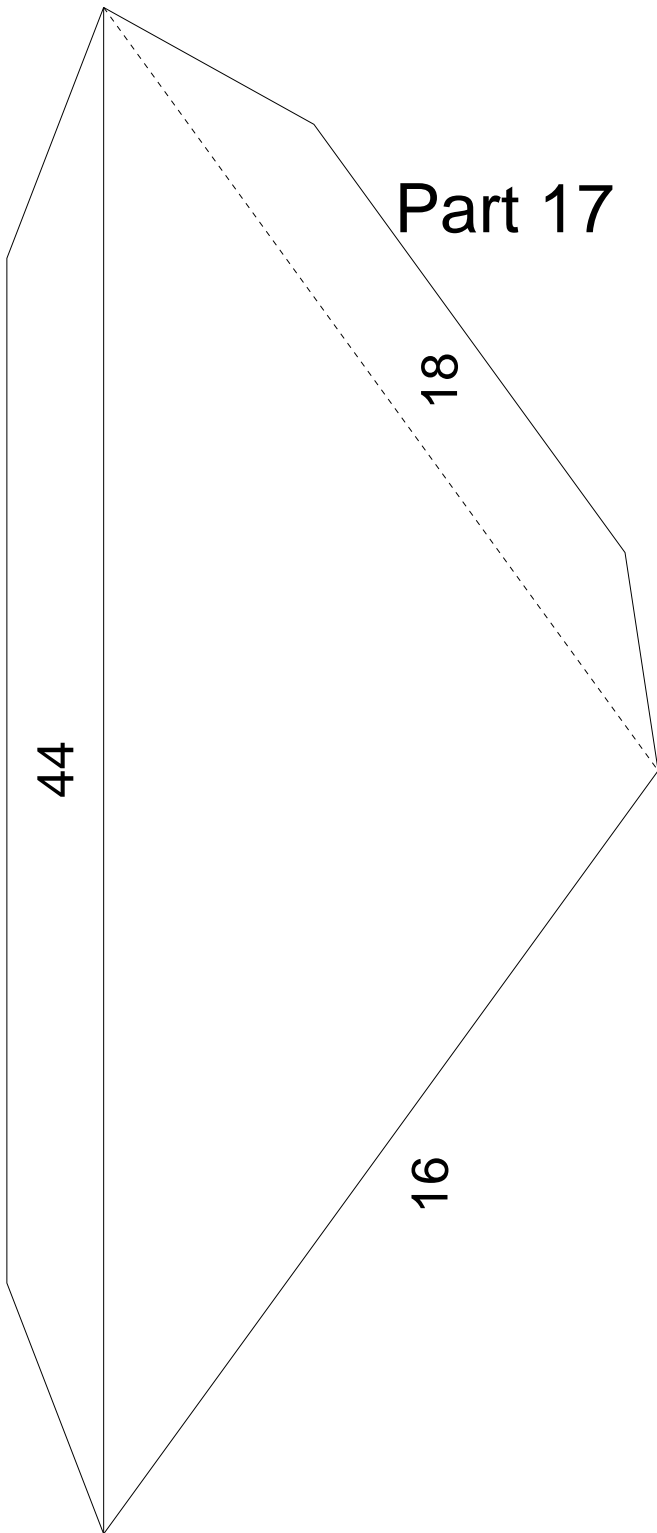
Great Dodecahedron

Color 2



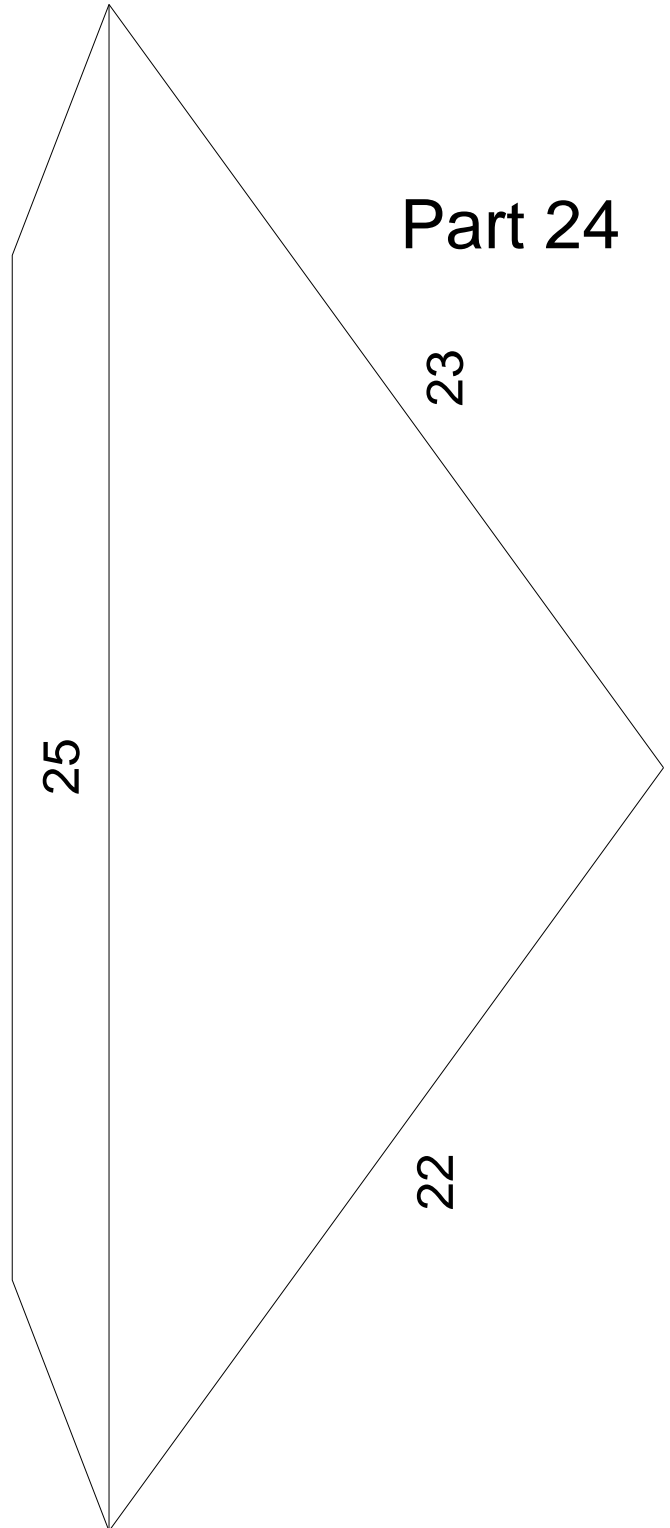
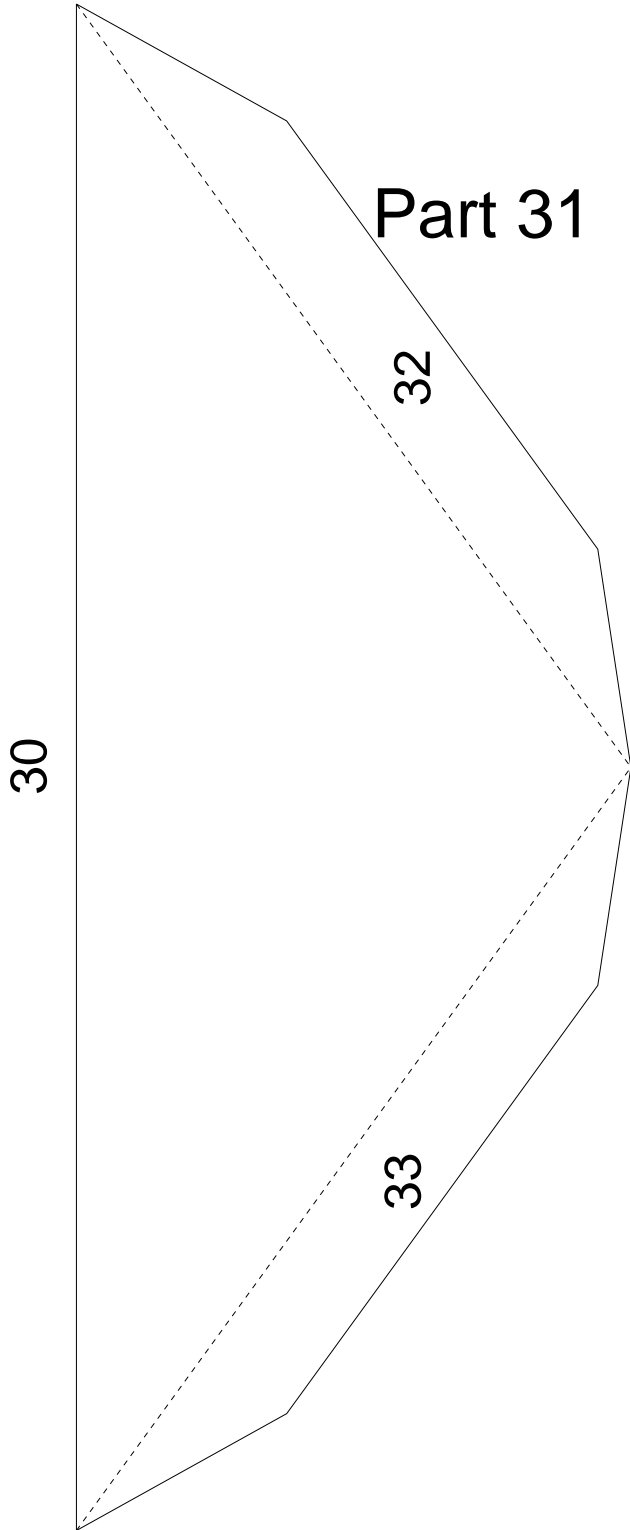
Great Dodecahedron

Color 2



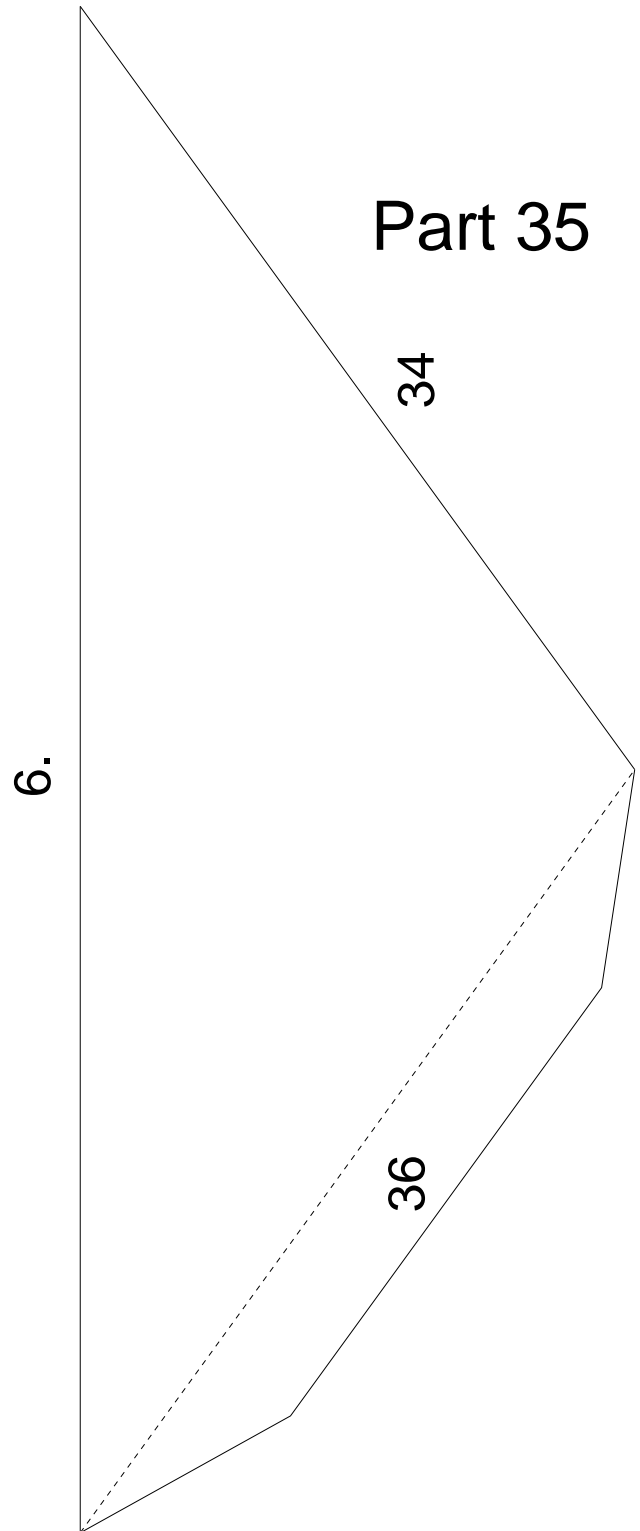
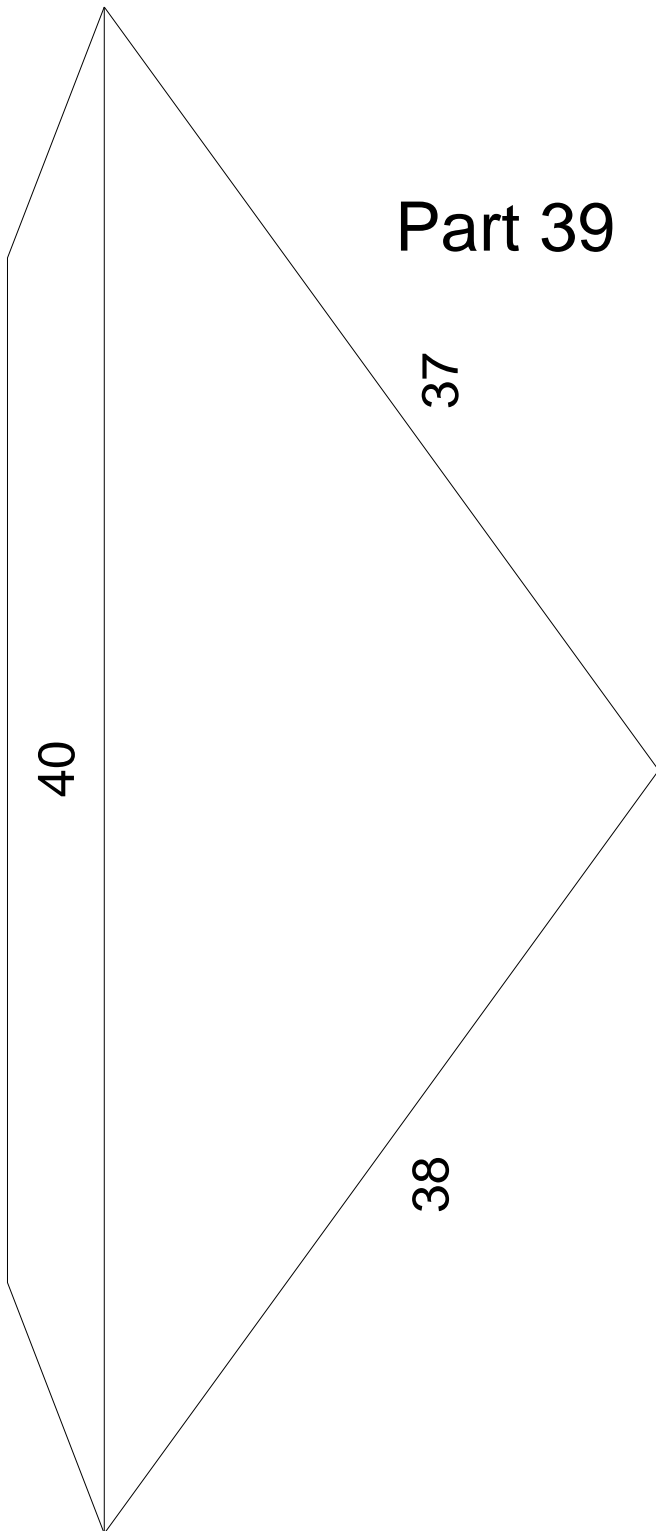
Great Dodecahedron

Color 2



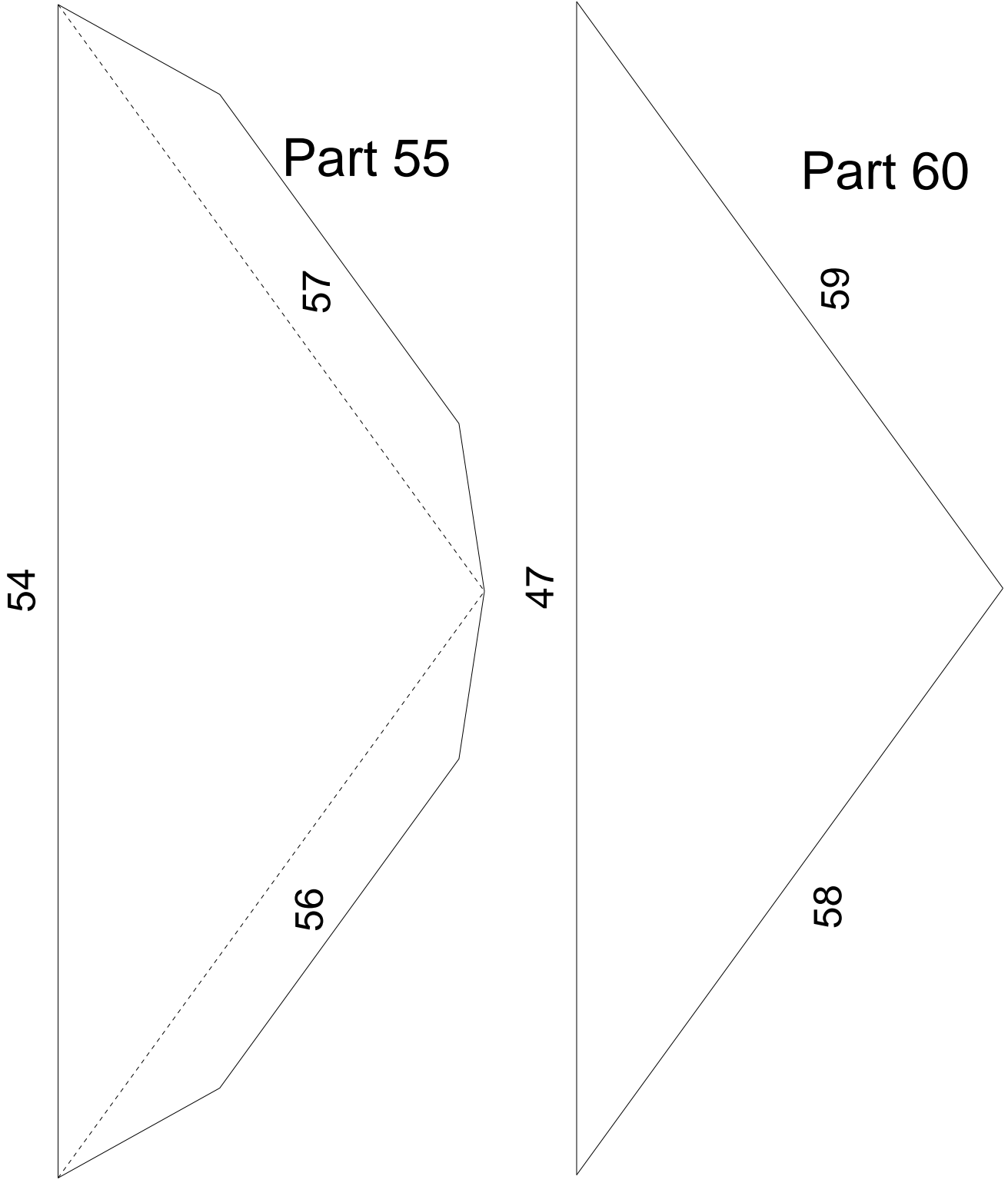
Great Dodecahedron

Color 2



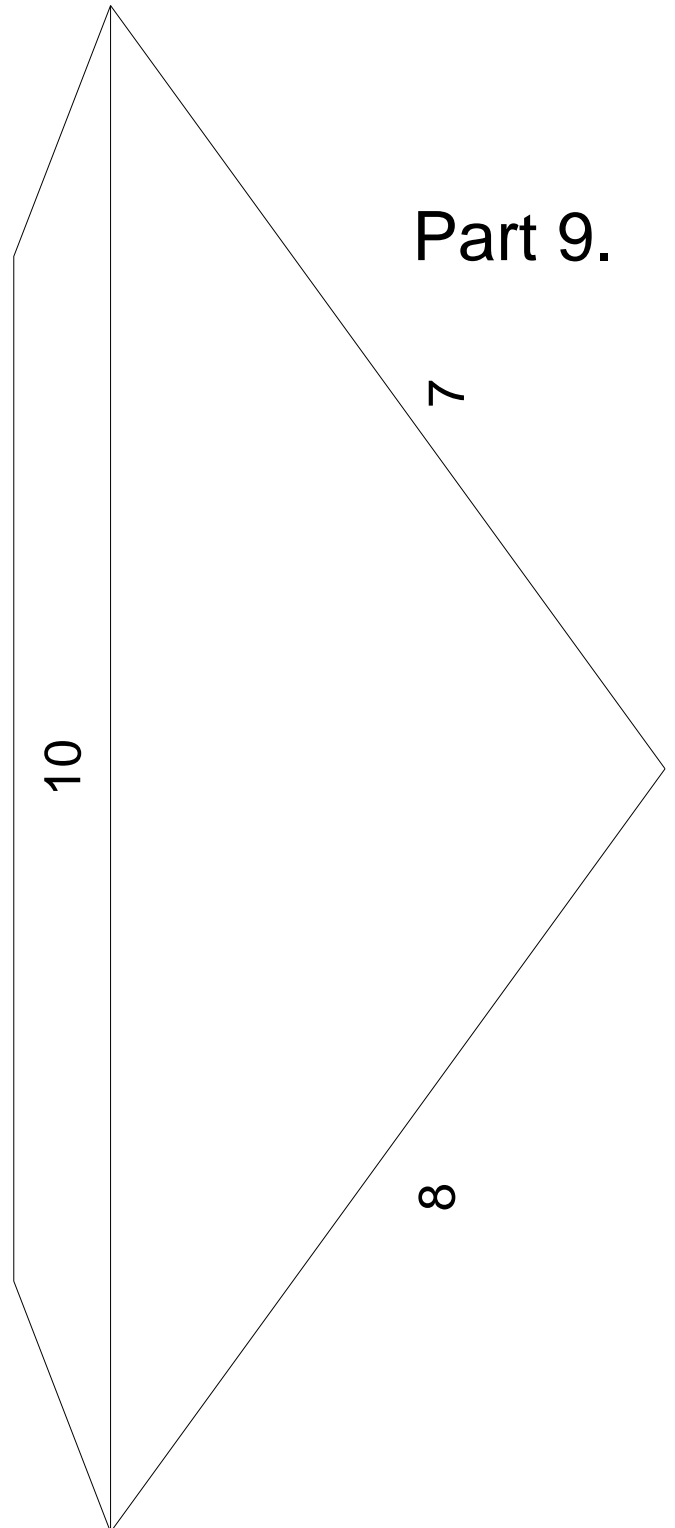
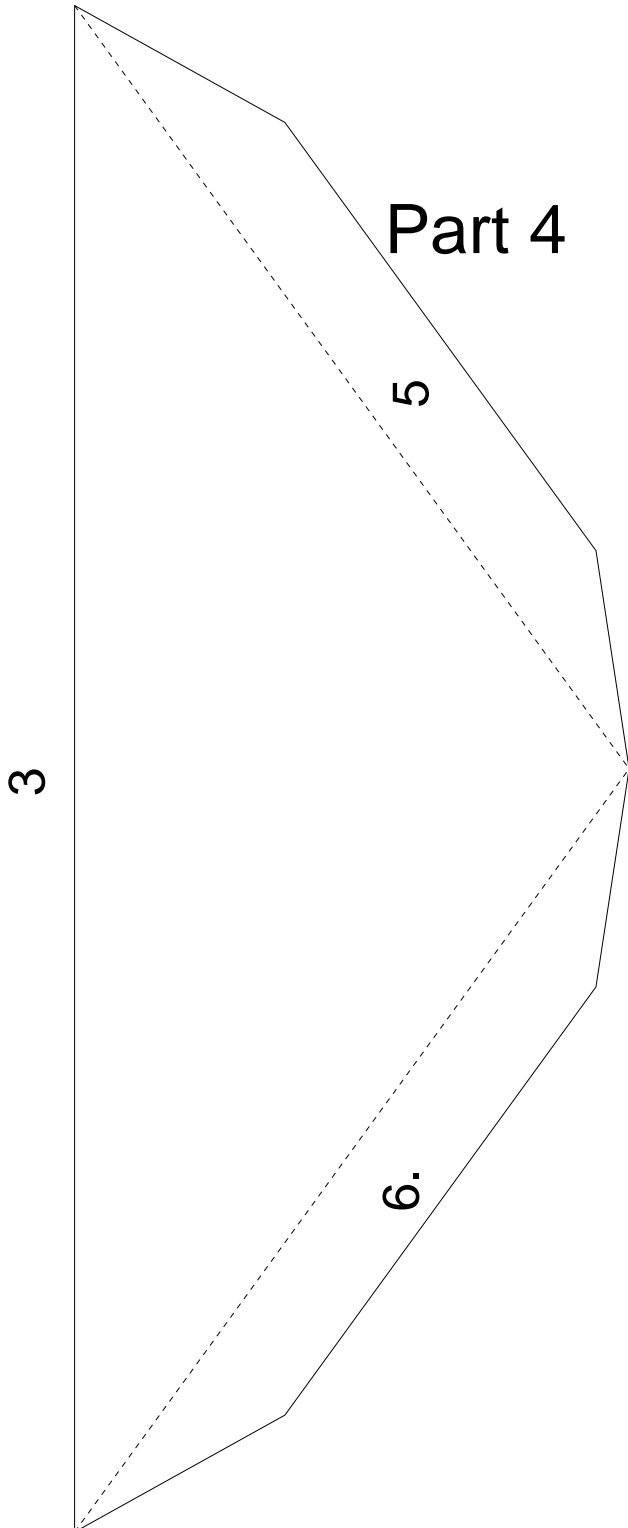
Great Dodecahedron

Color 2



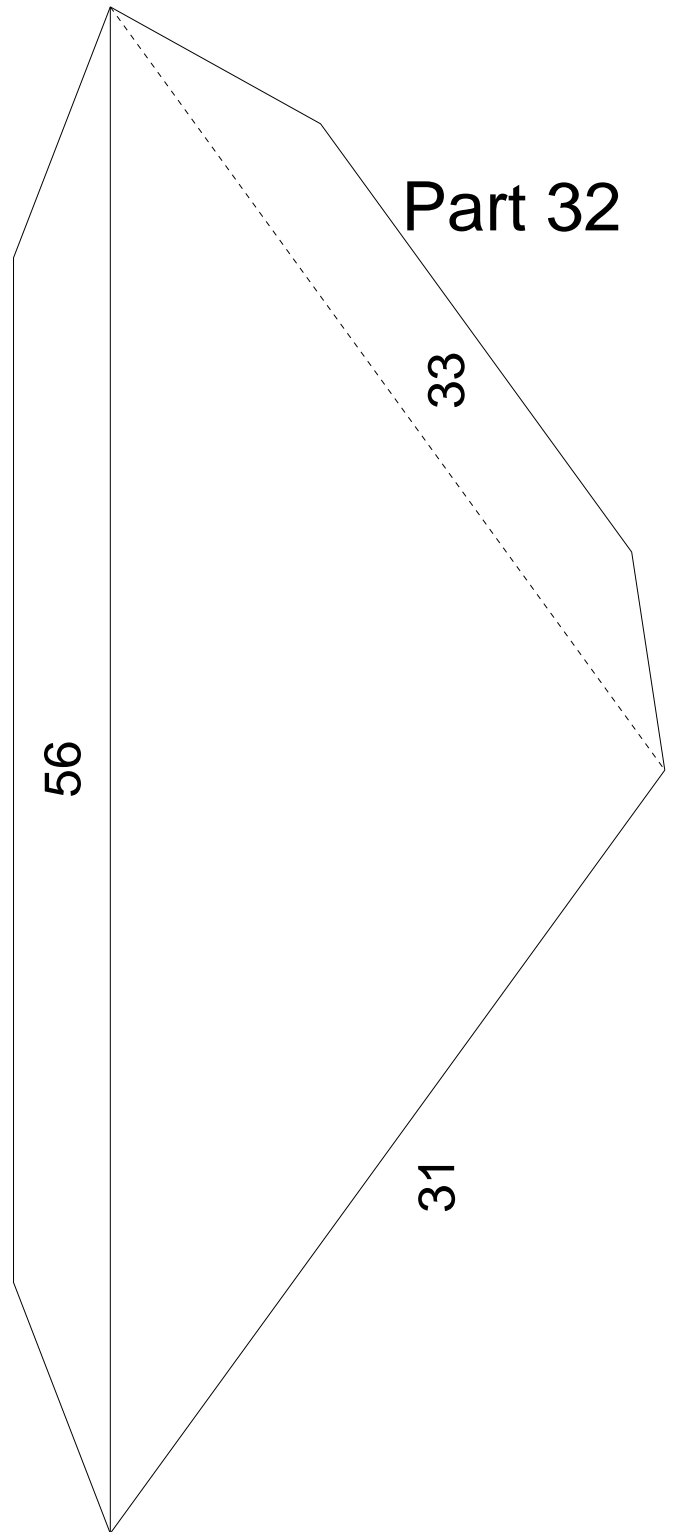
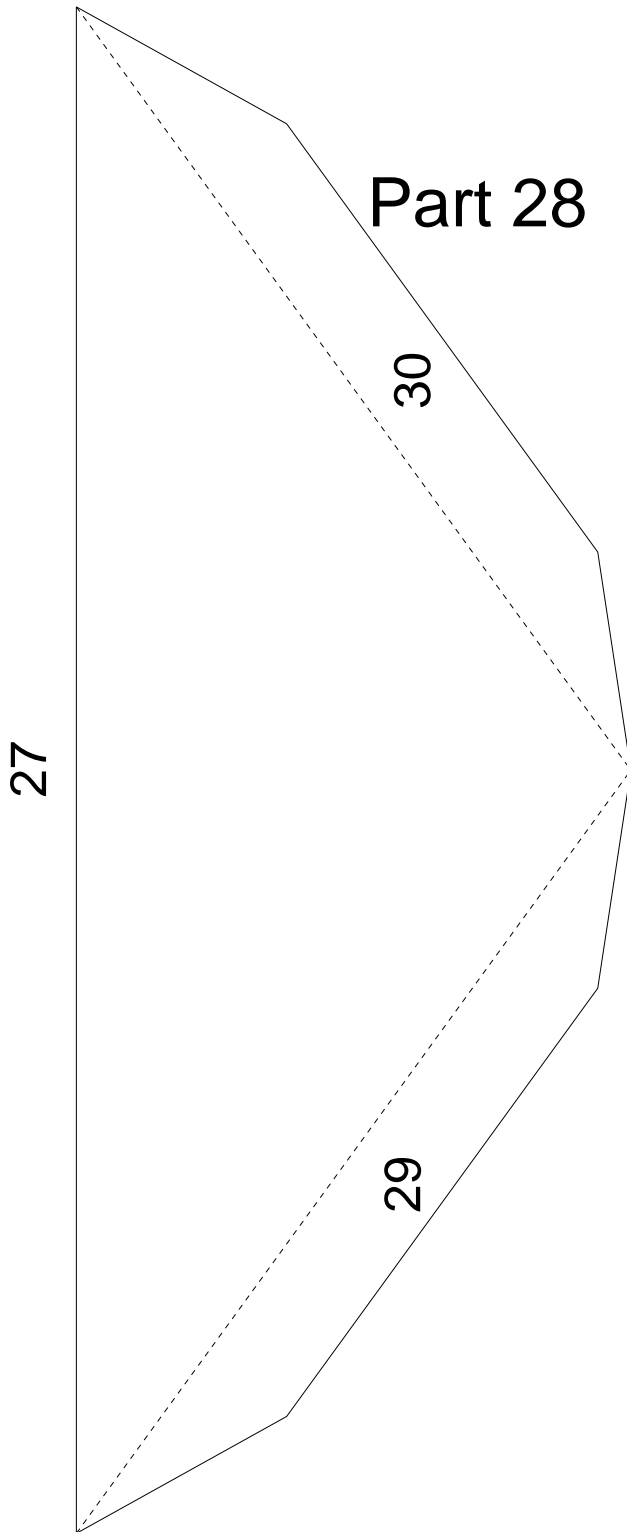
Great Dodecahedron

Color 3



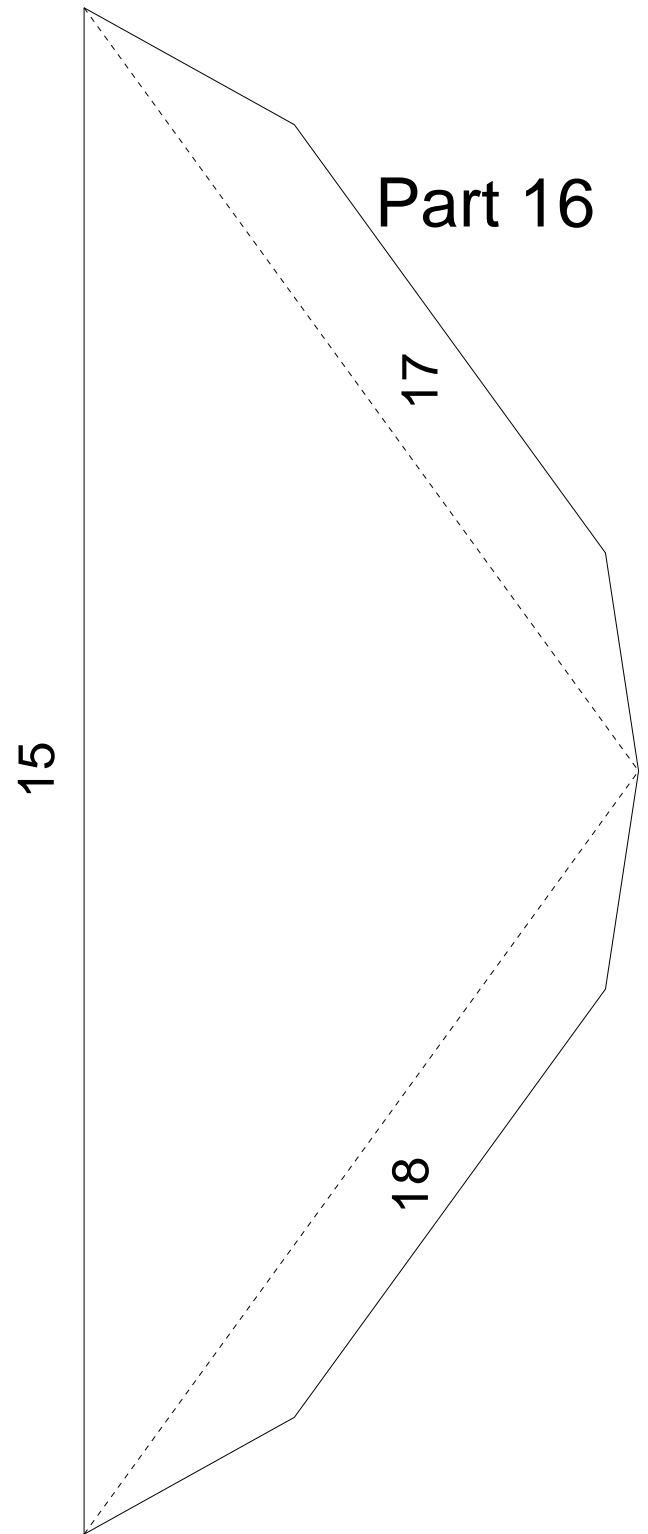
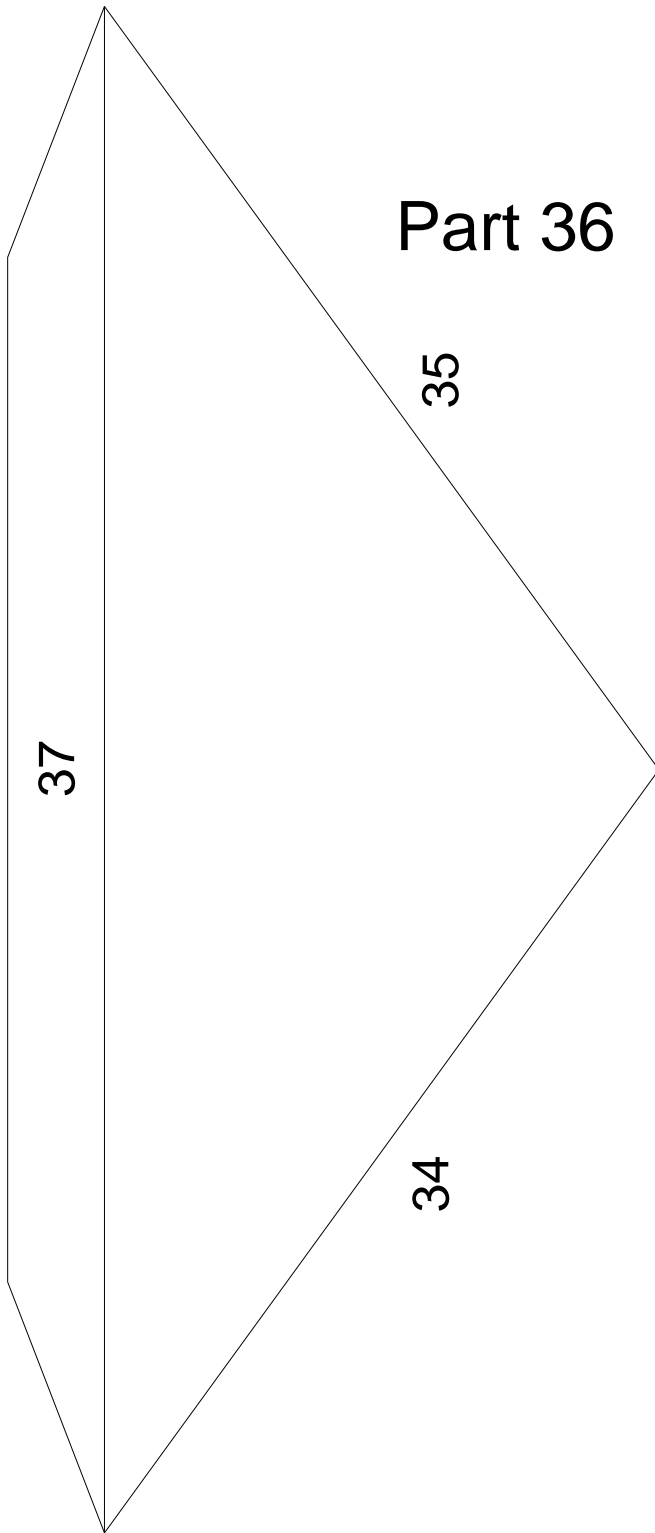
Great Dodecahedron

Color 3



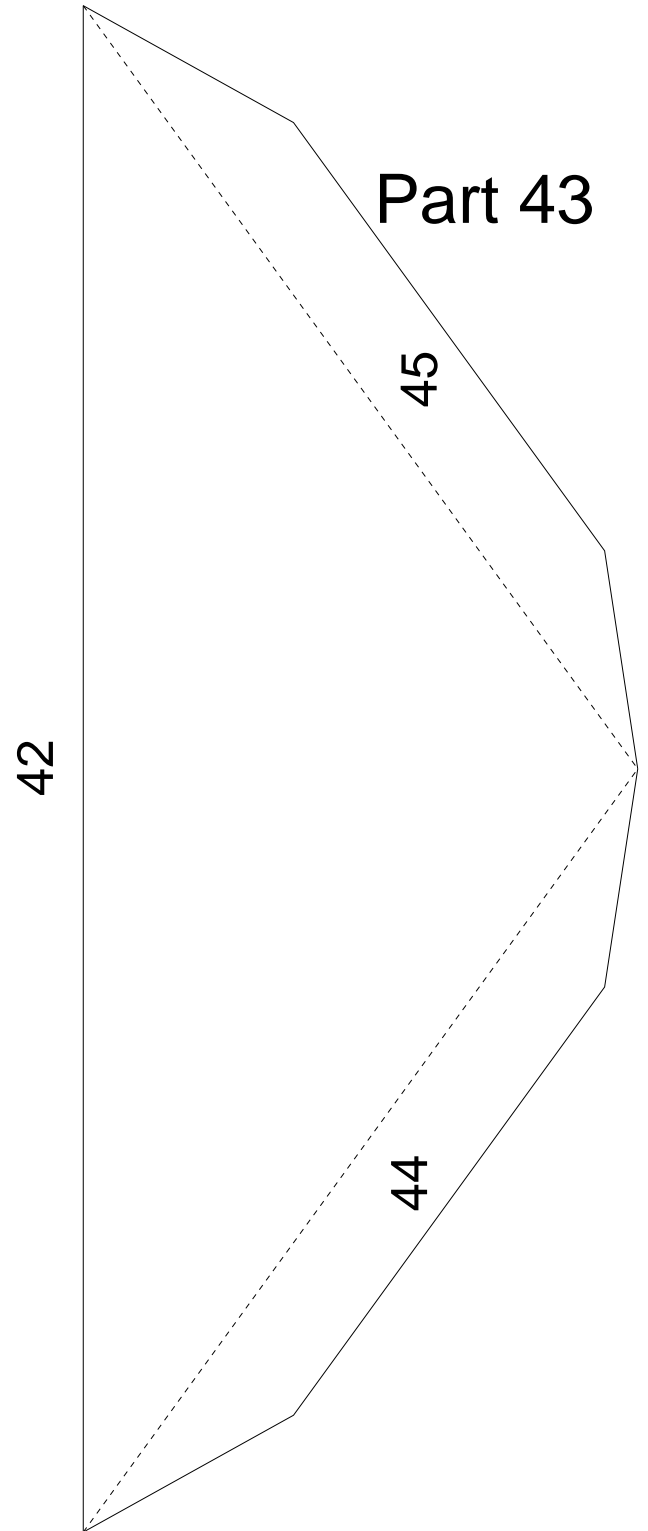
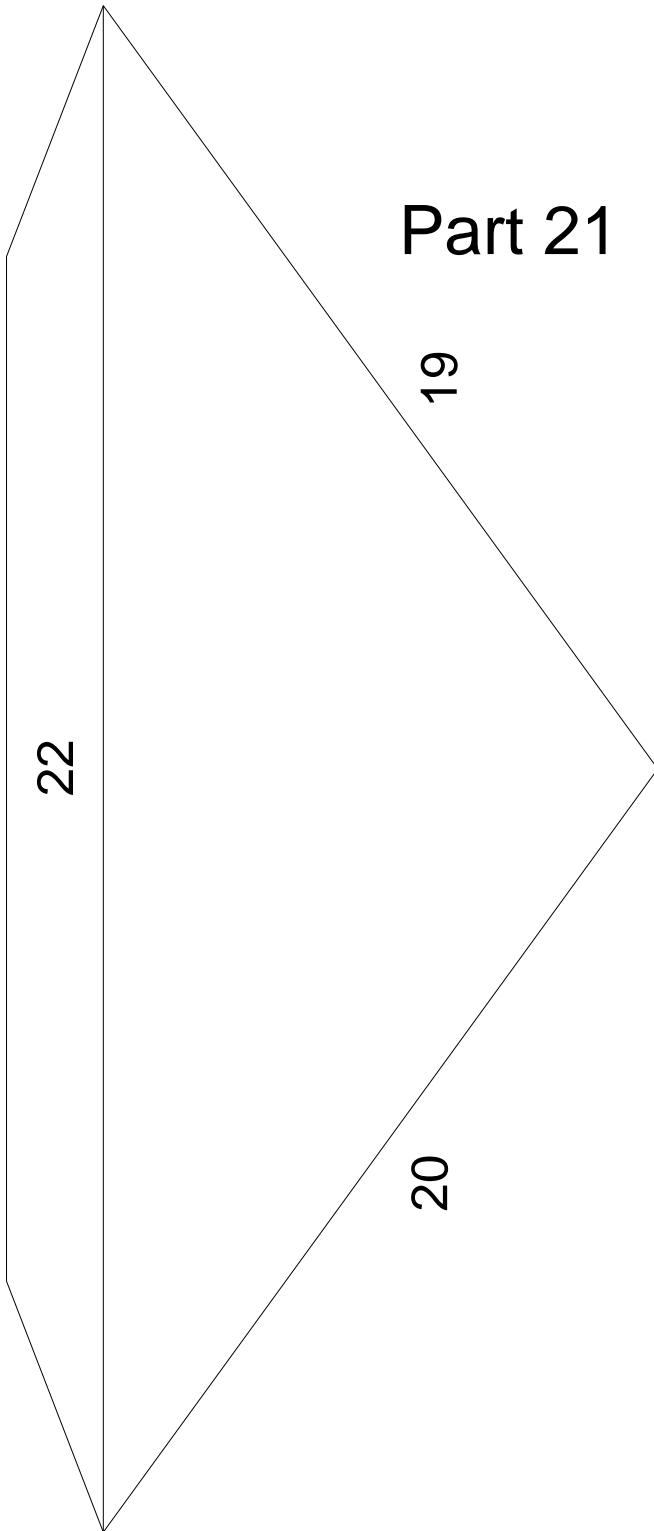
Great Dodecahedron

Color 3



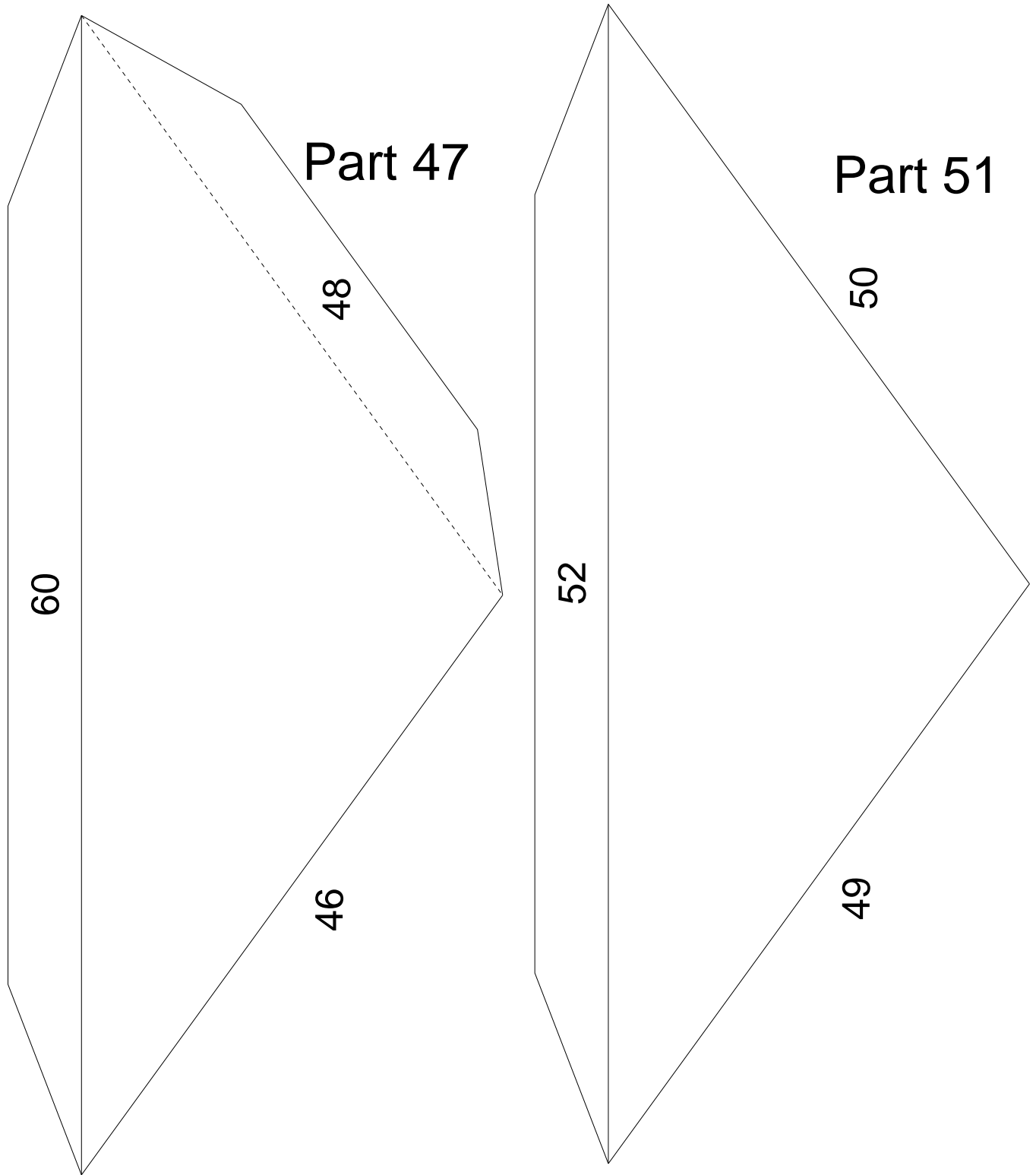
Great Dodecahedron

Color 3



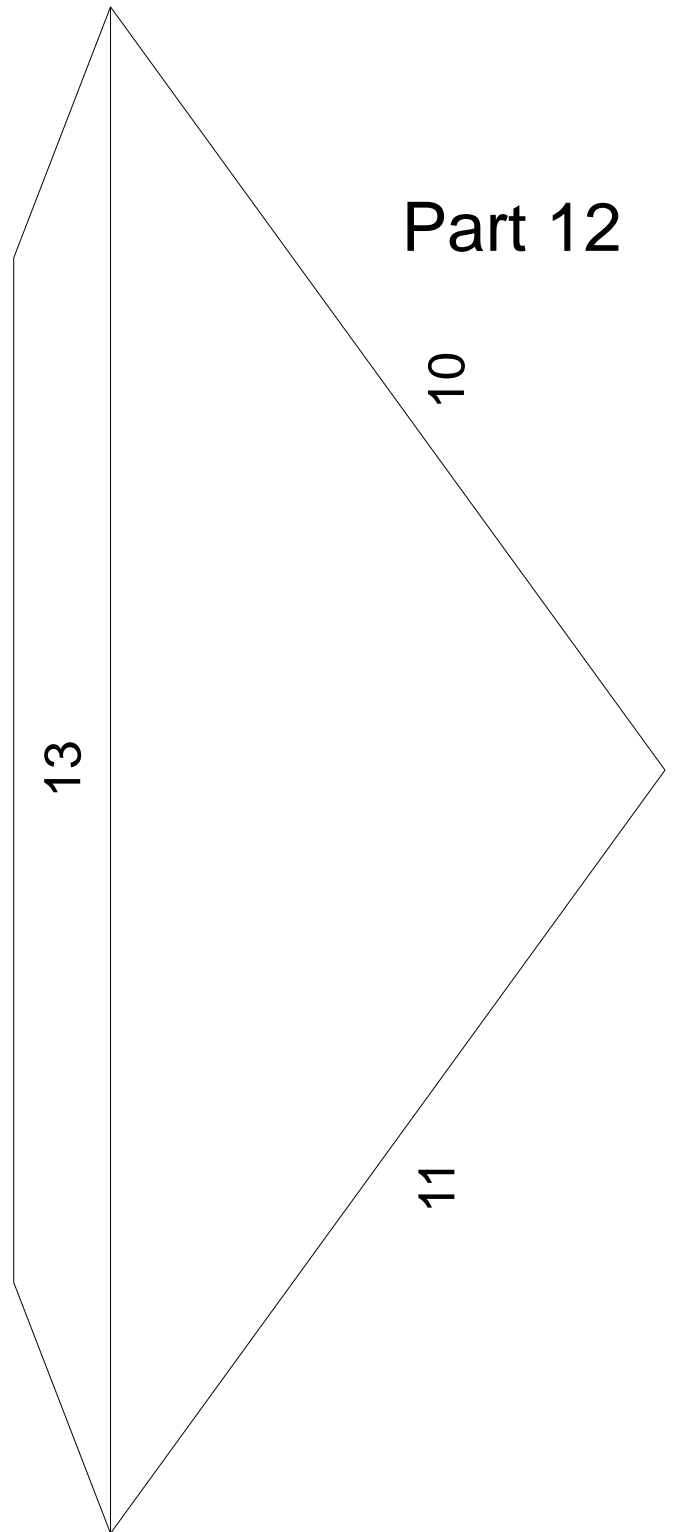
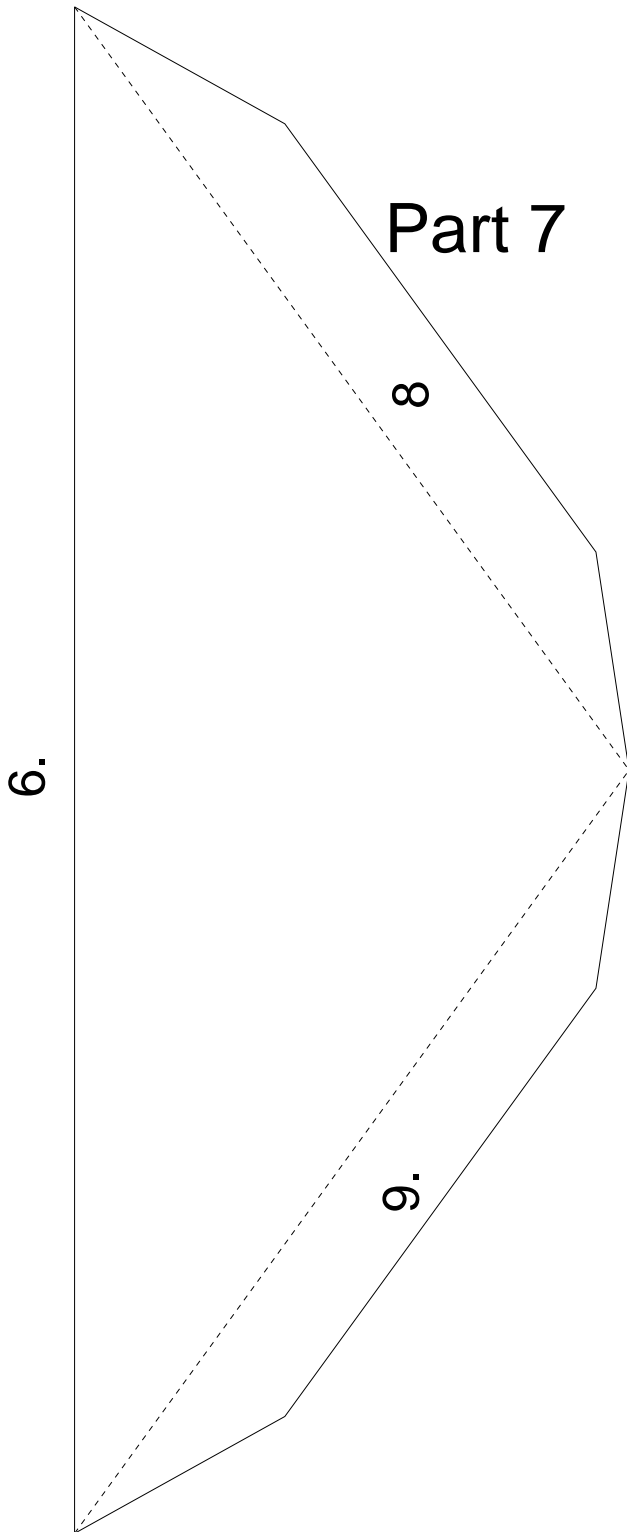
Great Dodecahedron

Color 3



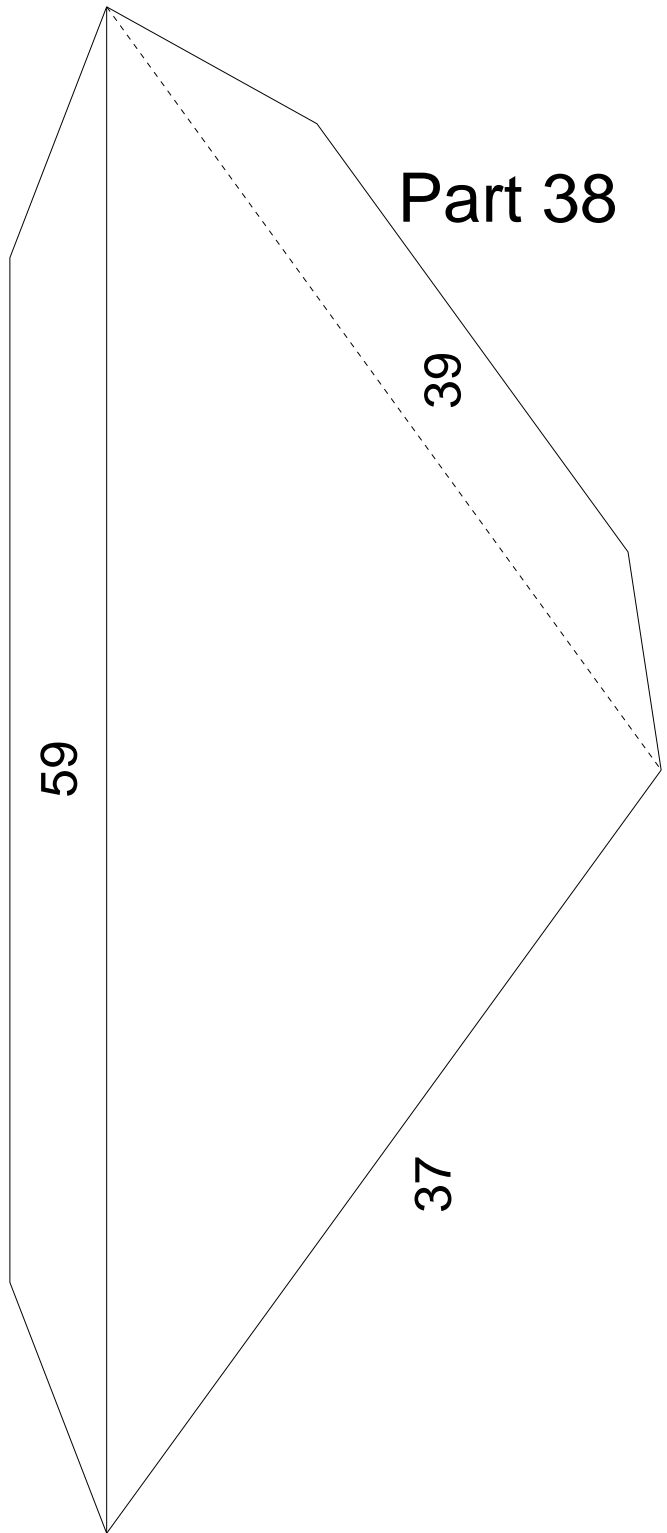
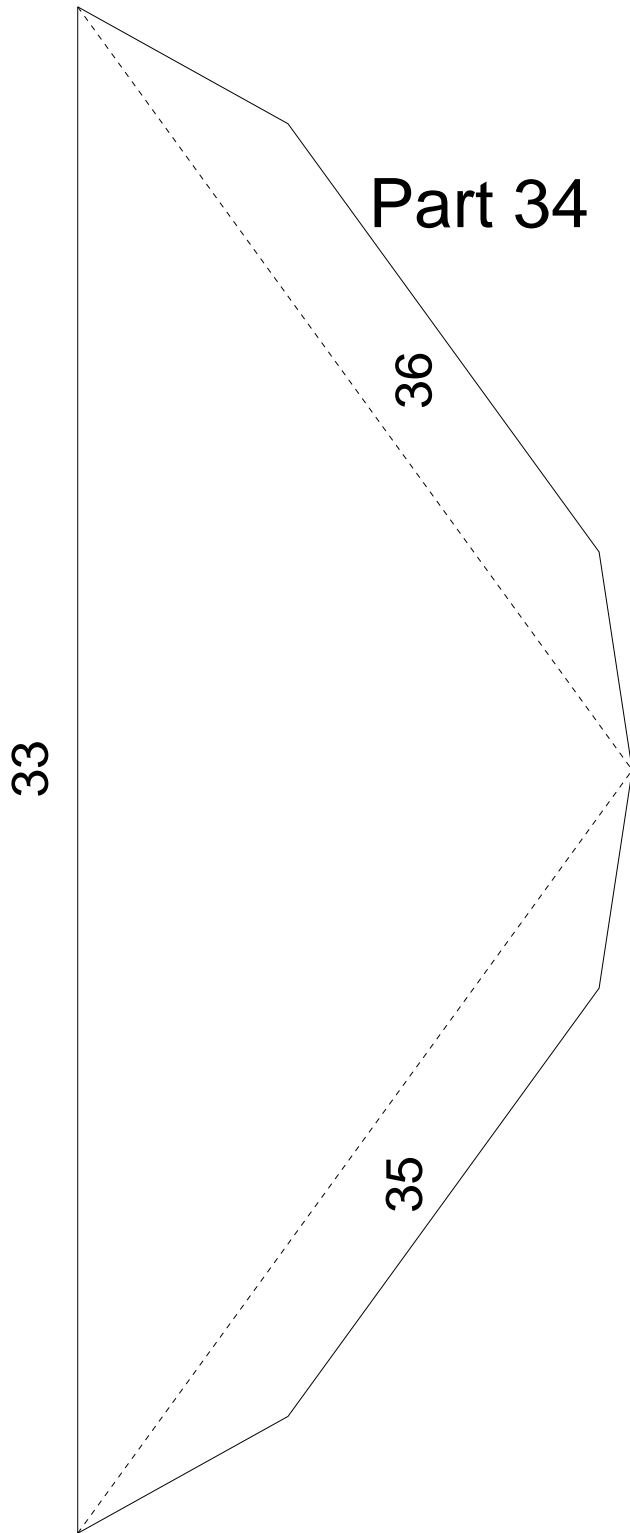
Great Dodecahedron

Color 4



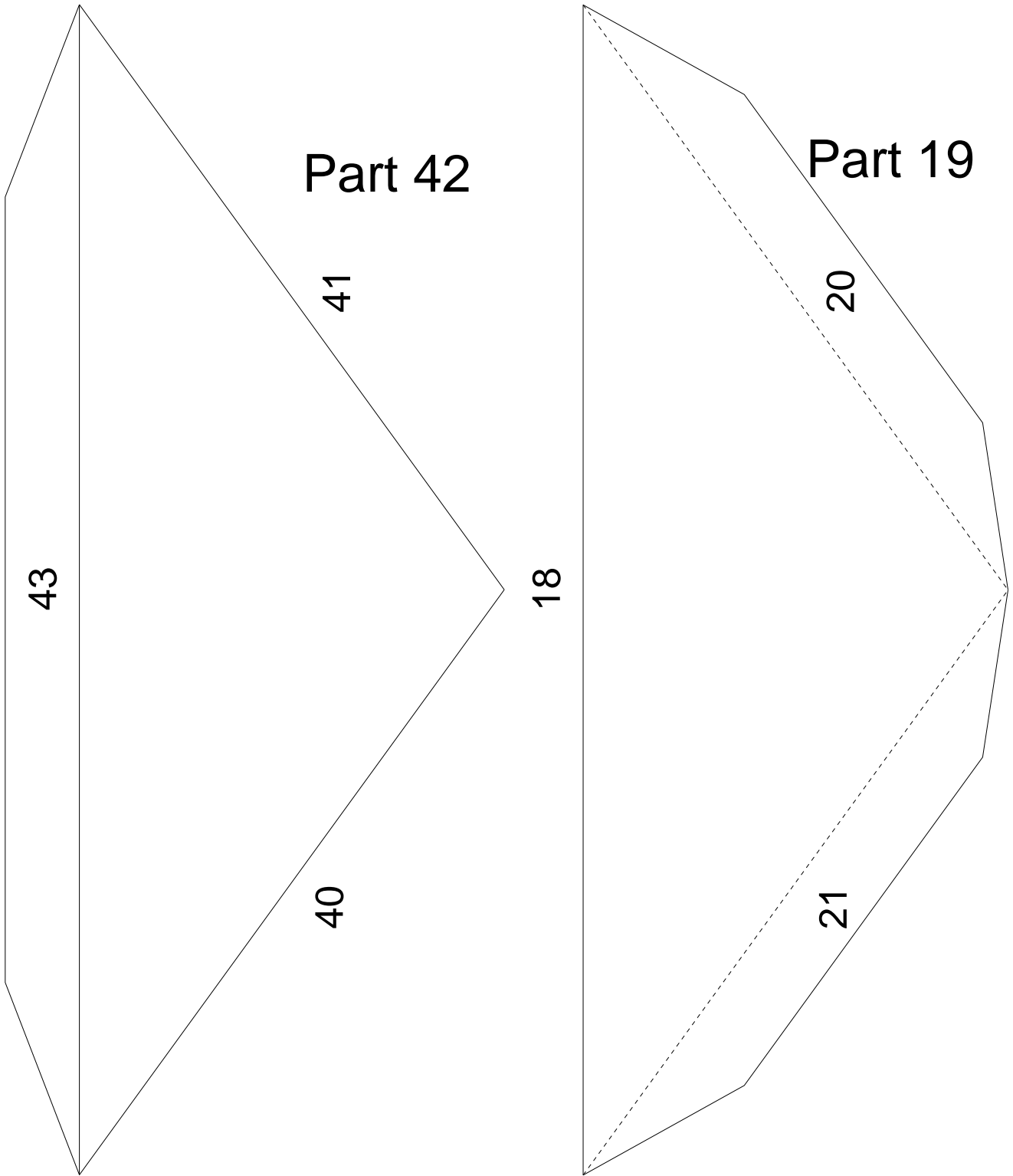
Great Dodecahedron

Color 4



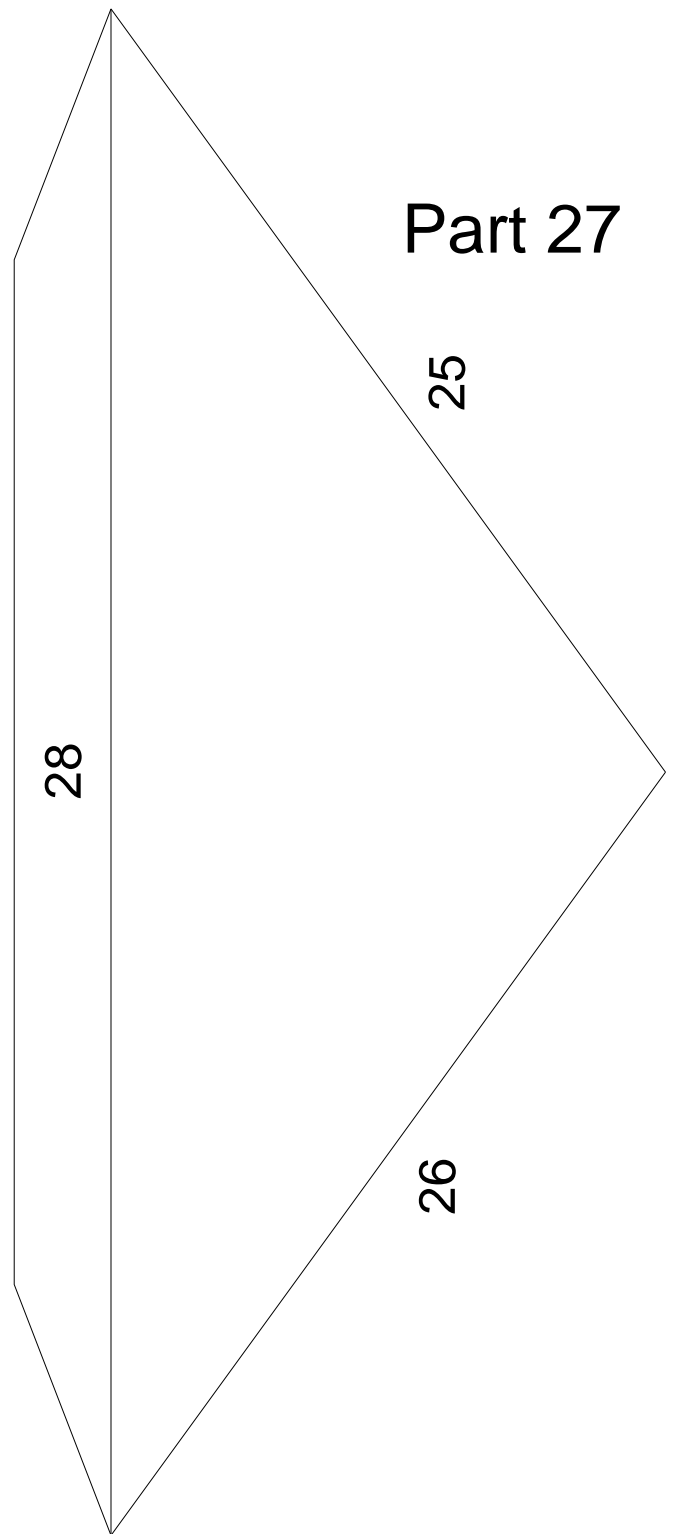
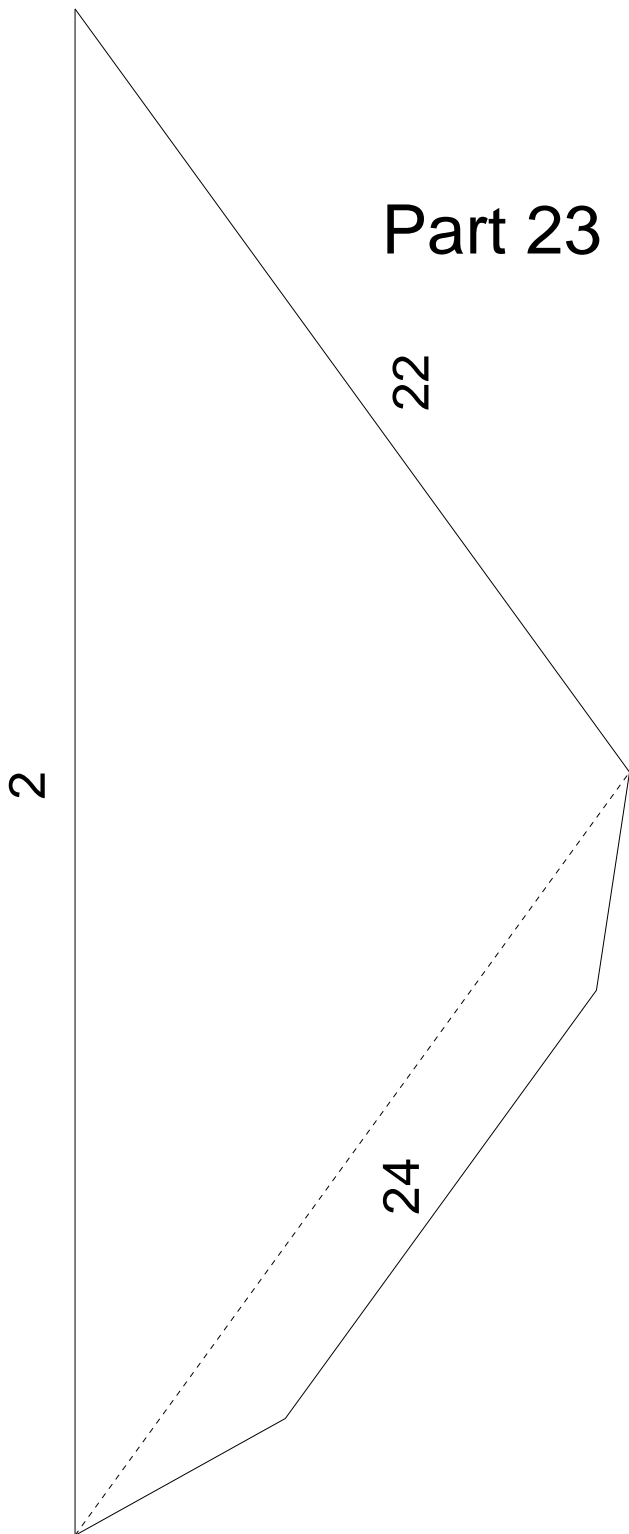
Great Dodecahedron

Color 4



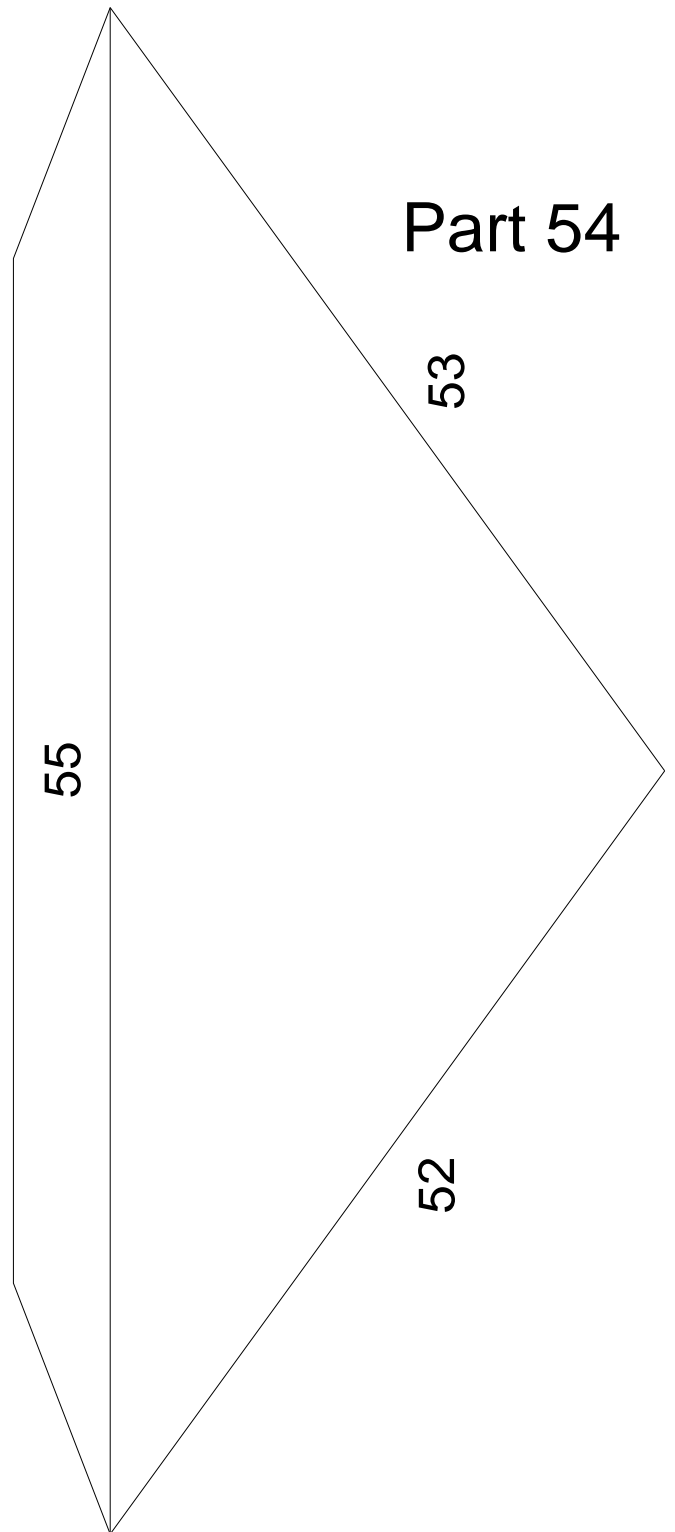
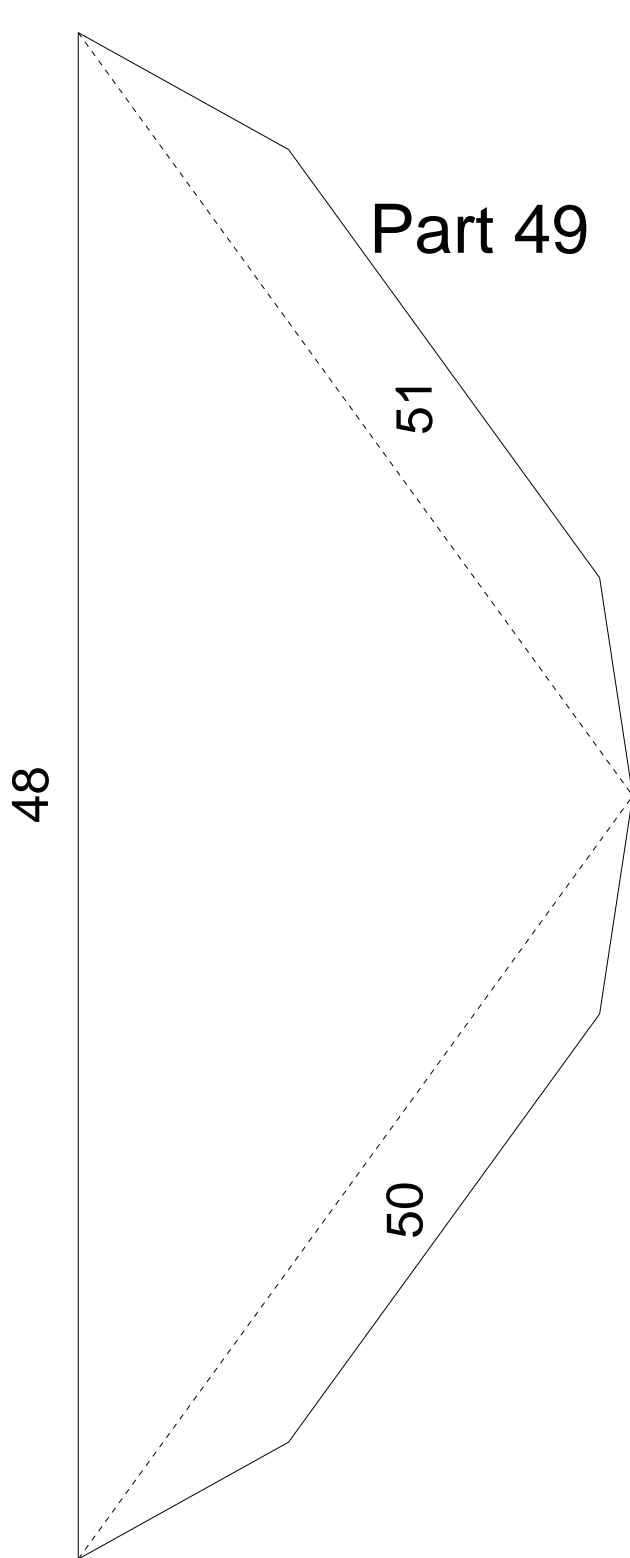
Great Dodecahedron

Color 4



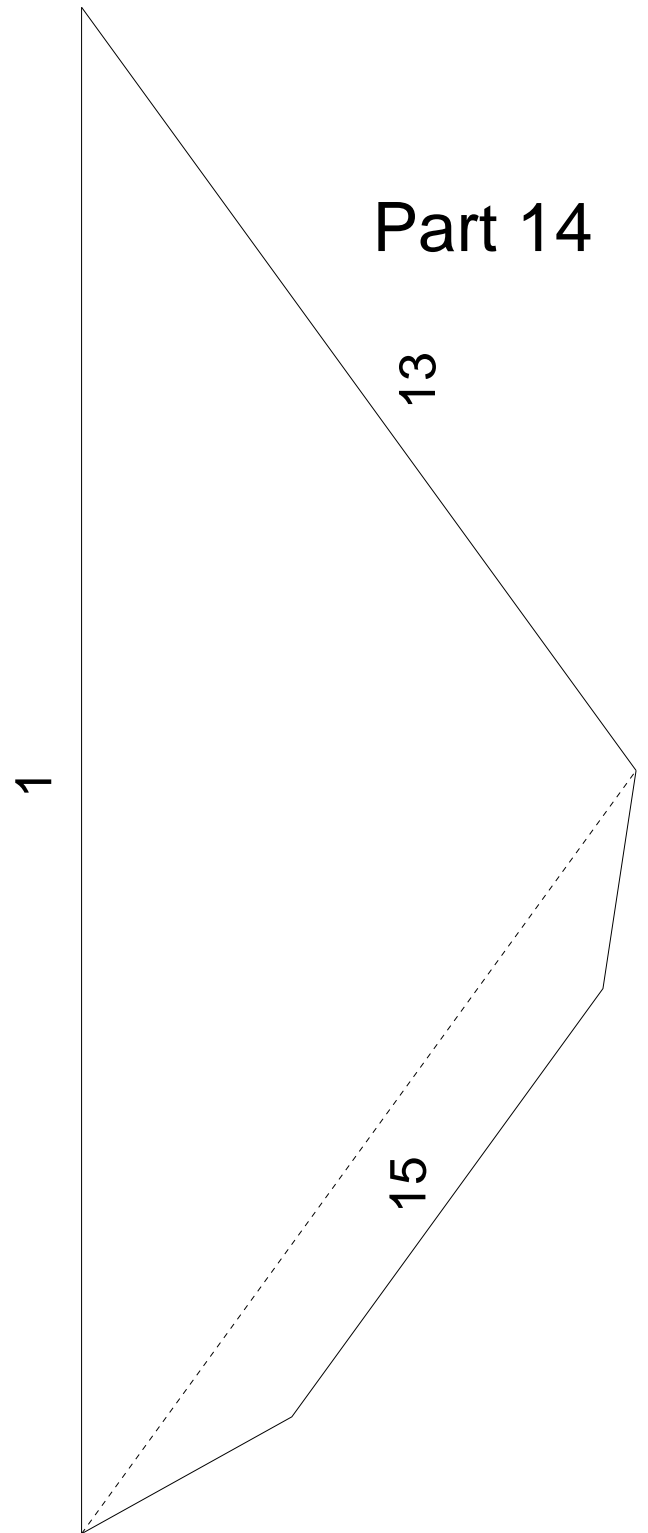
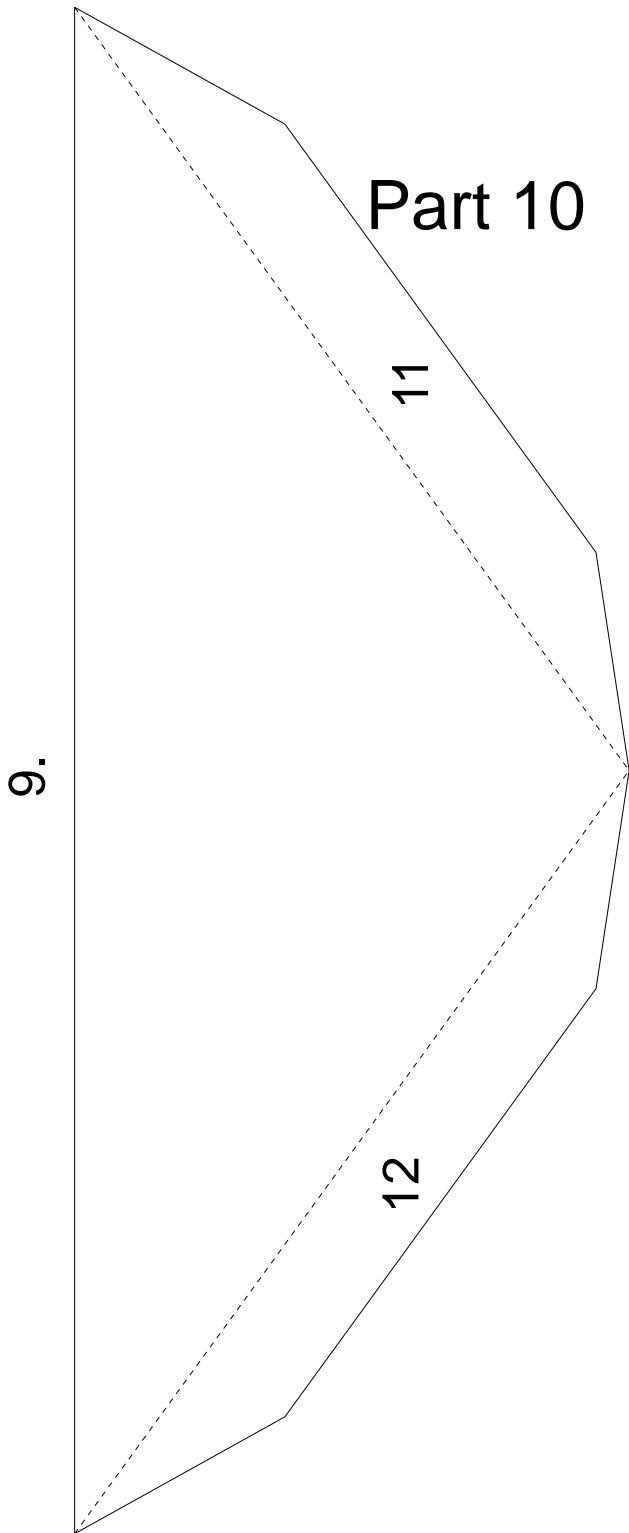
Great Dodecahedron

Color 4



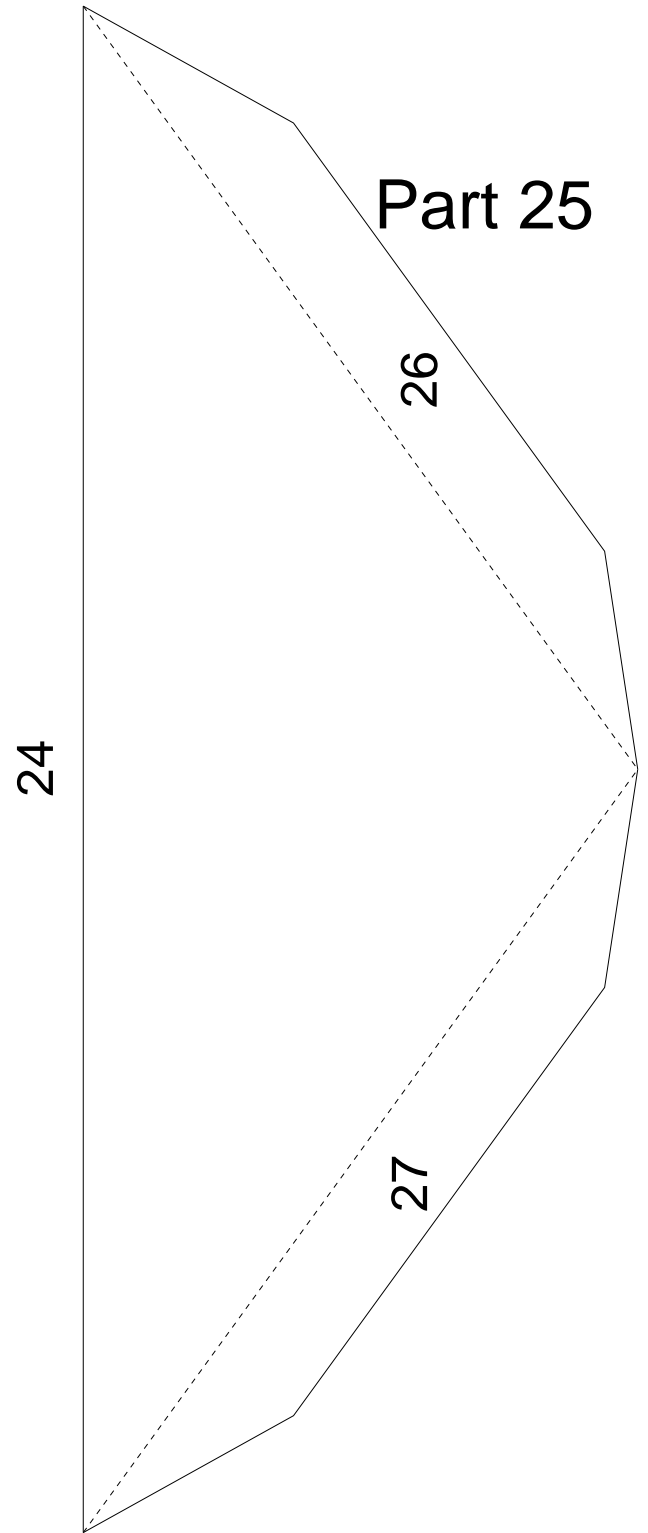
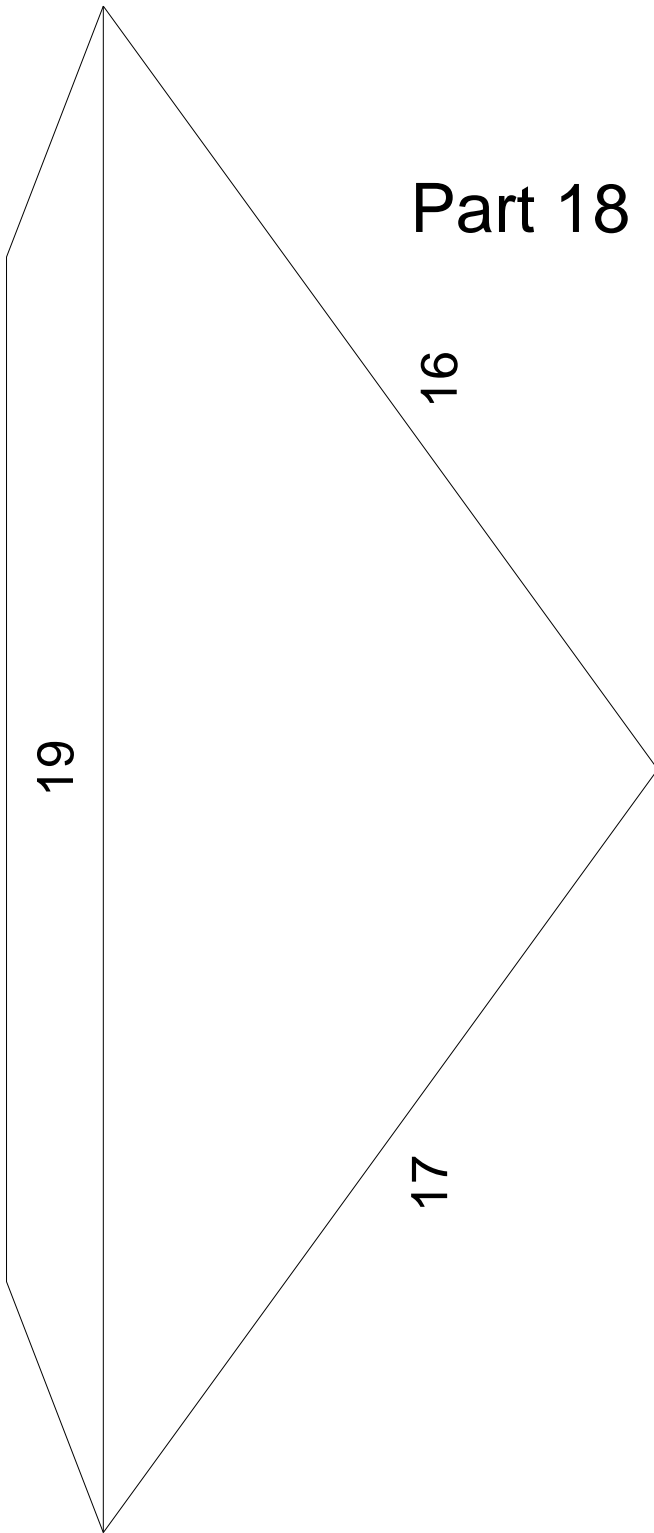
Great Dodecahedron

Color 5



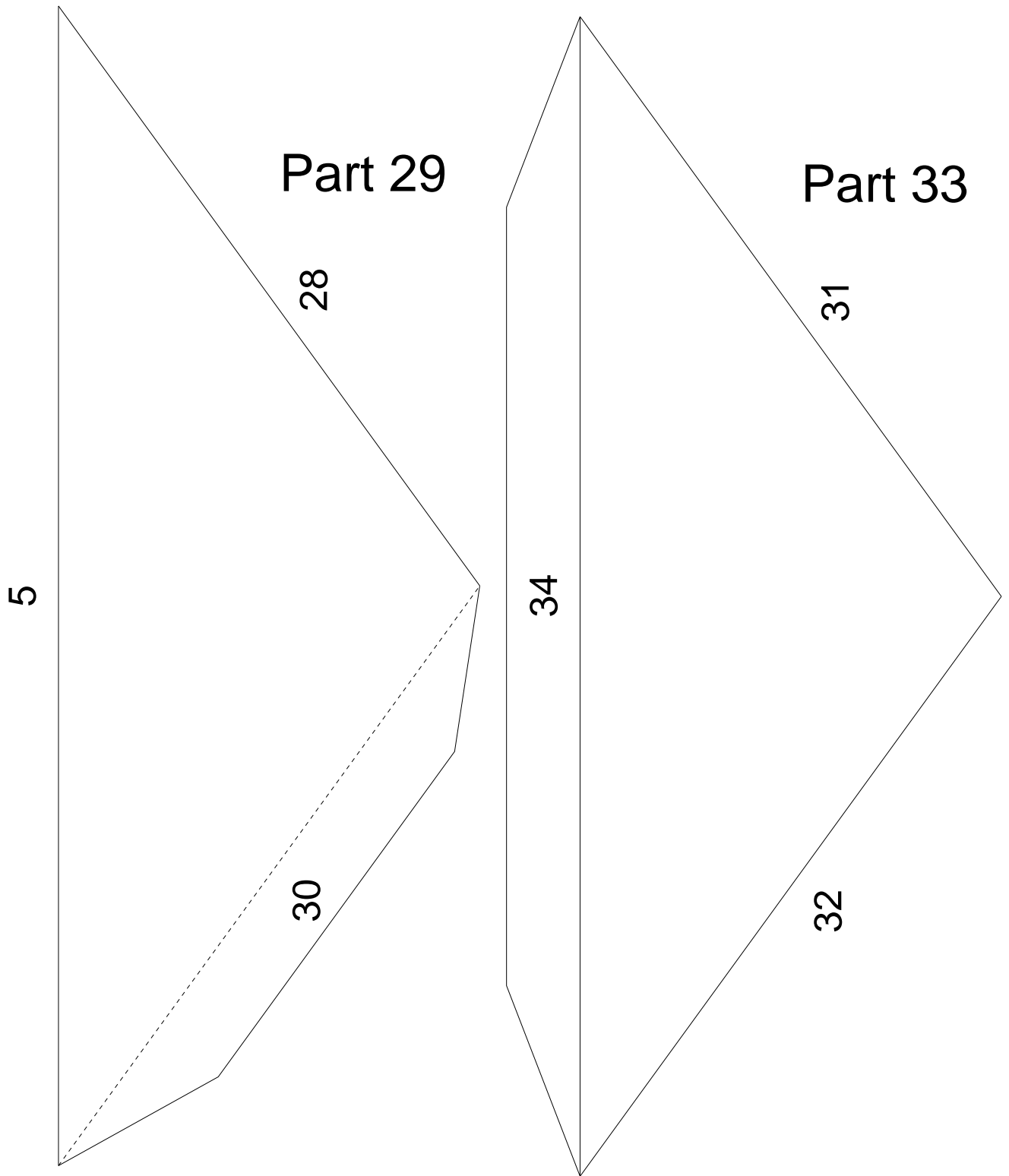
Great Dodecahedron

Color 5



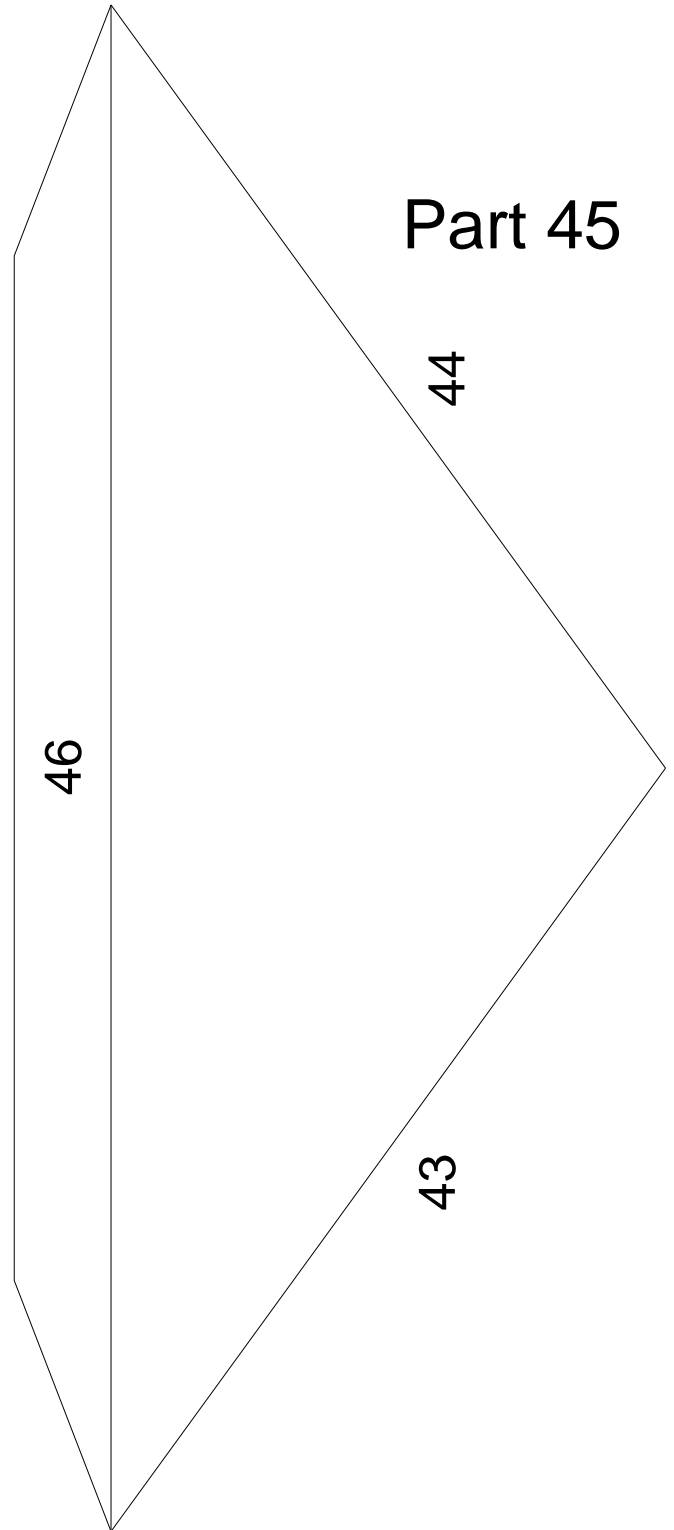
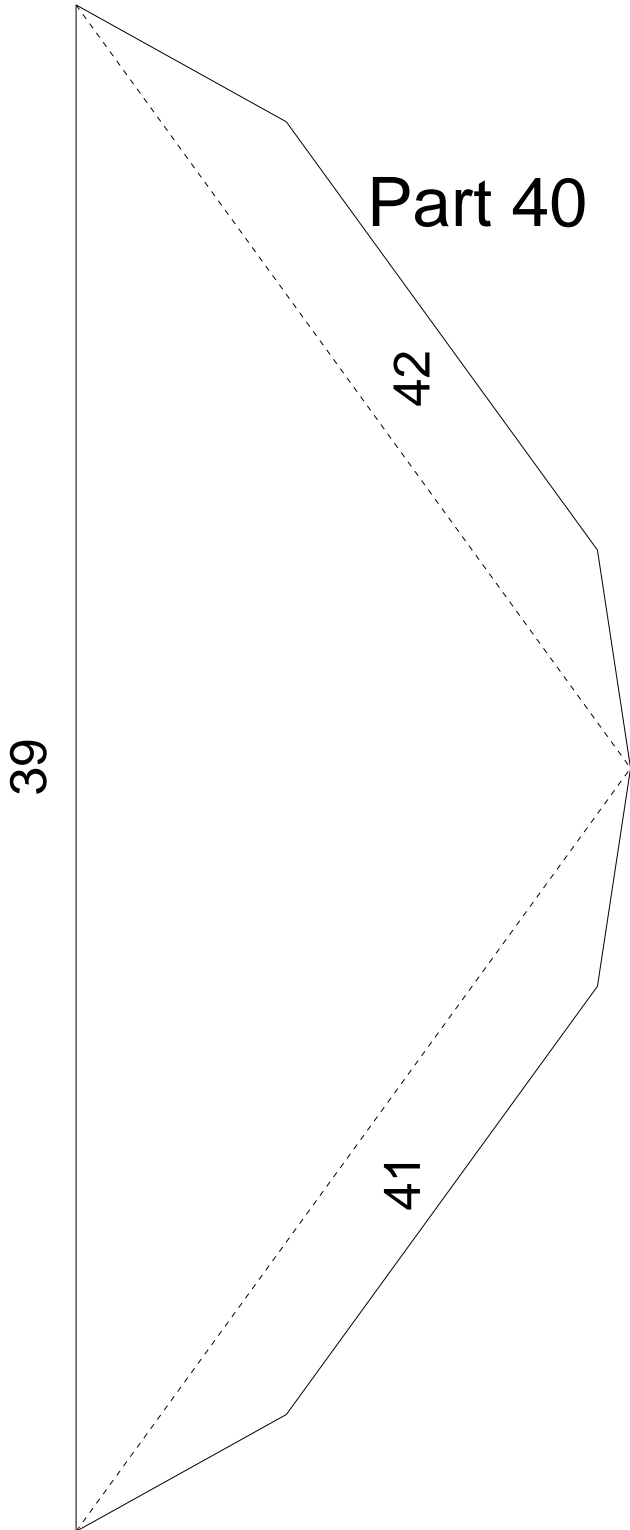
Great Dodecahedron

Color 5



Great Dodecahedron

Color 5



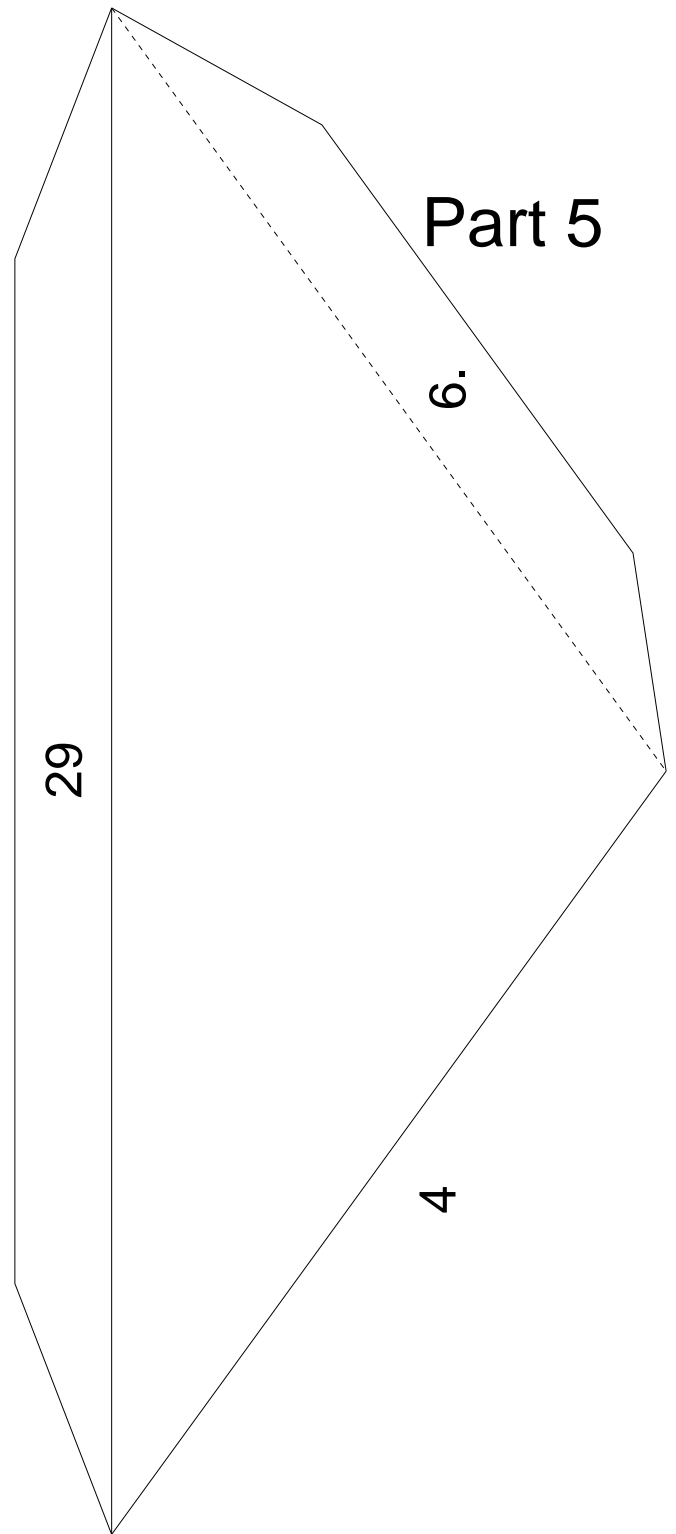
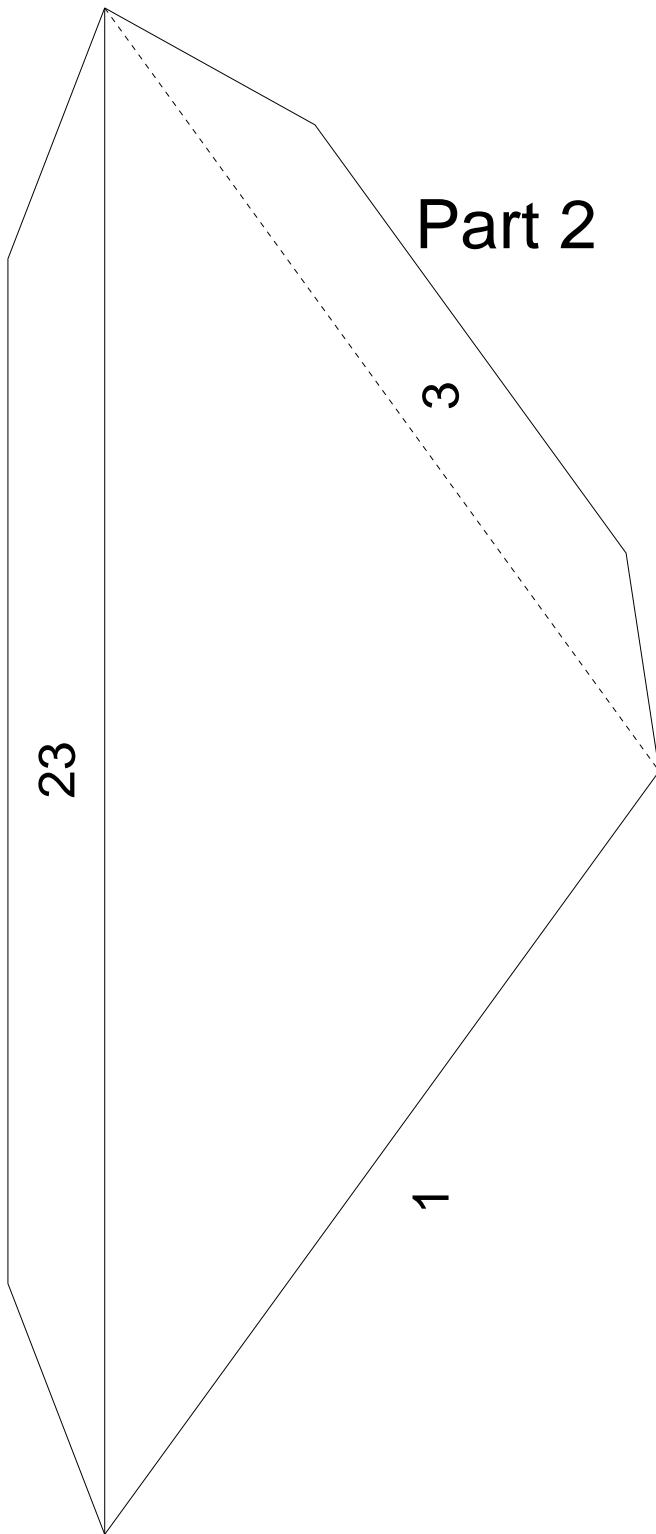
Great Dodecahedron

Color 5



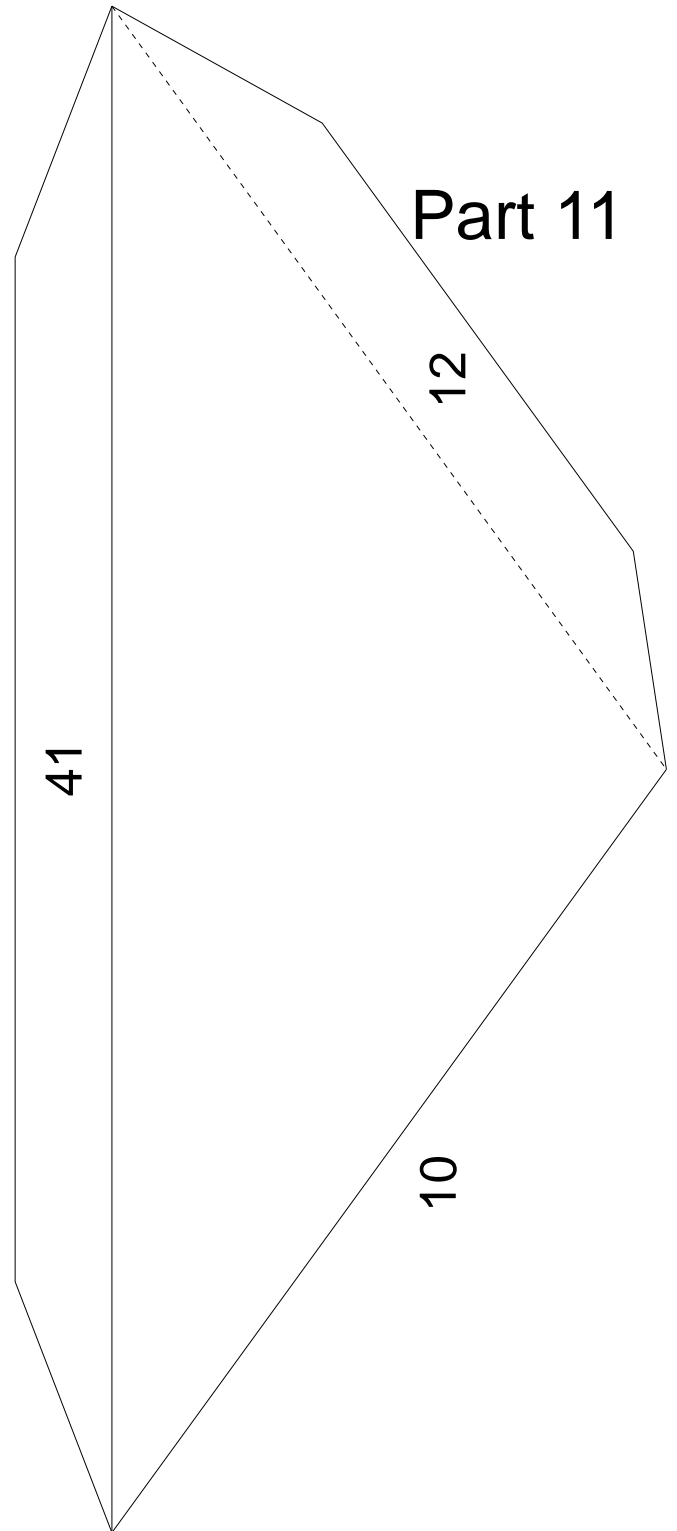
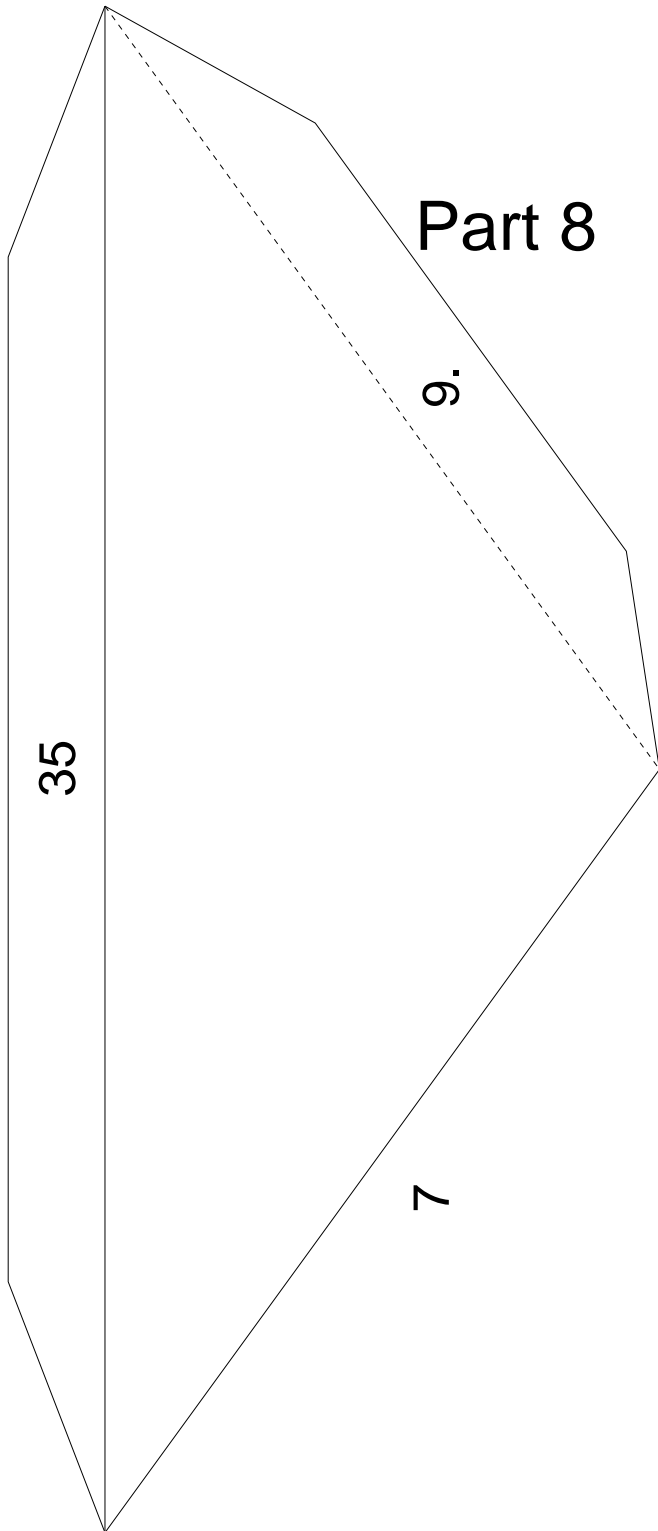
Great Dodecahedron

Color 6



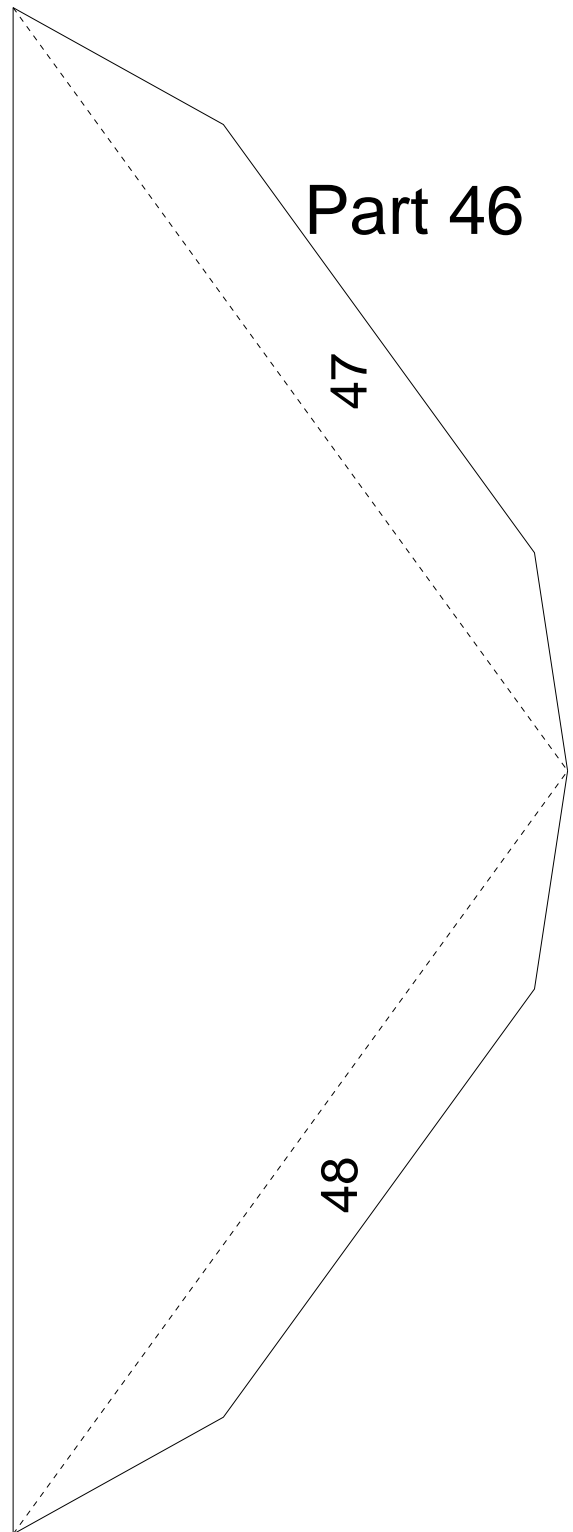
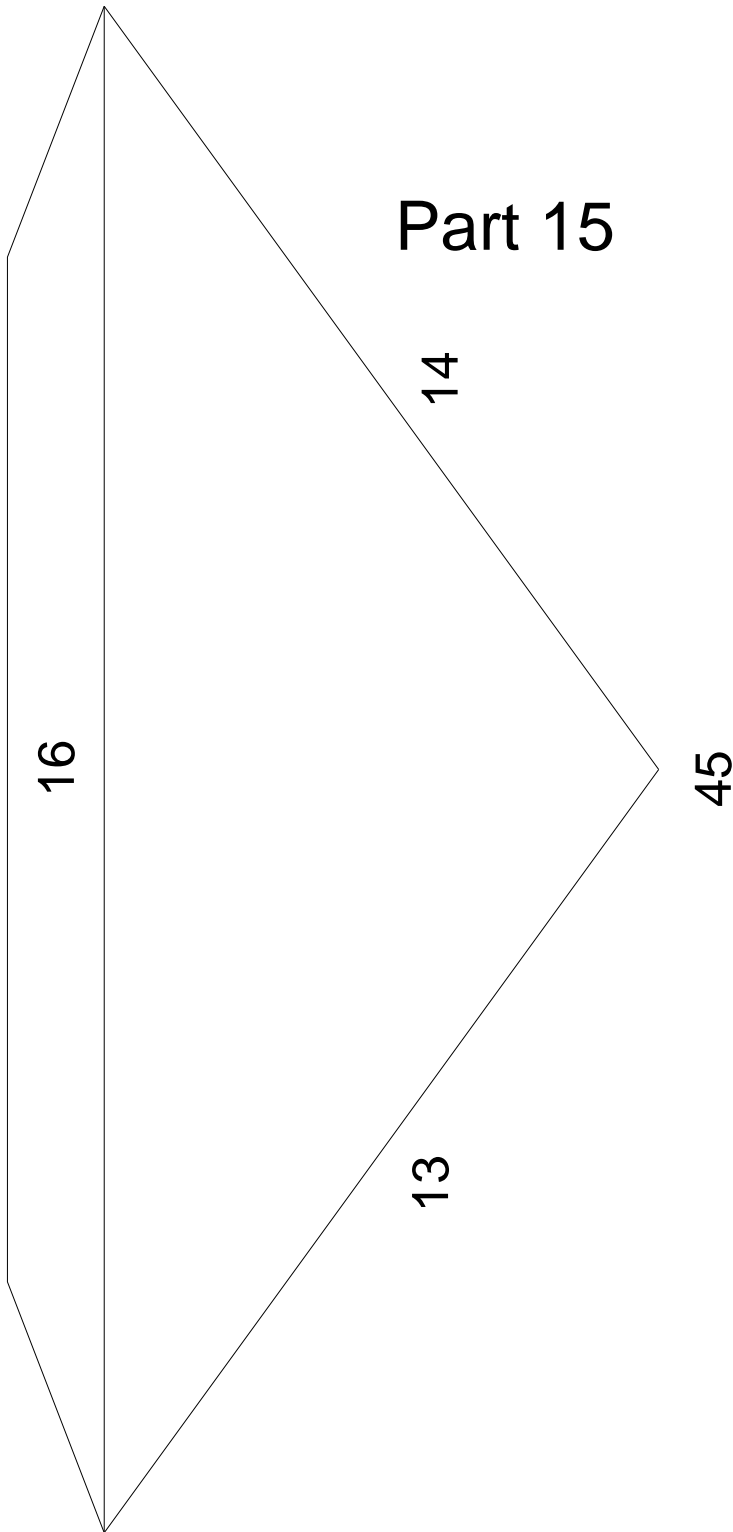
Great Dodecahedron

Color 6



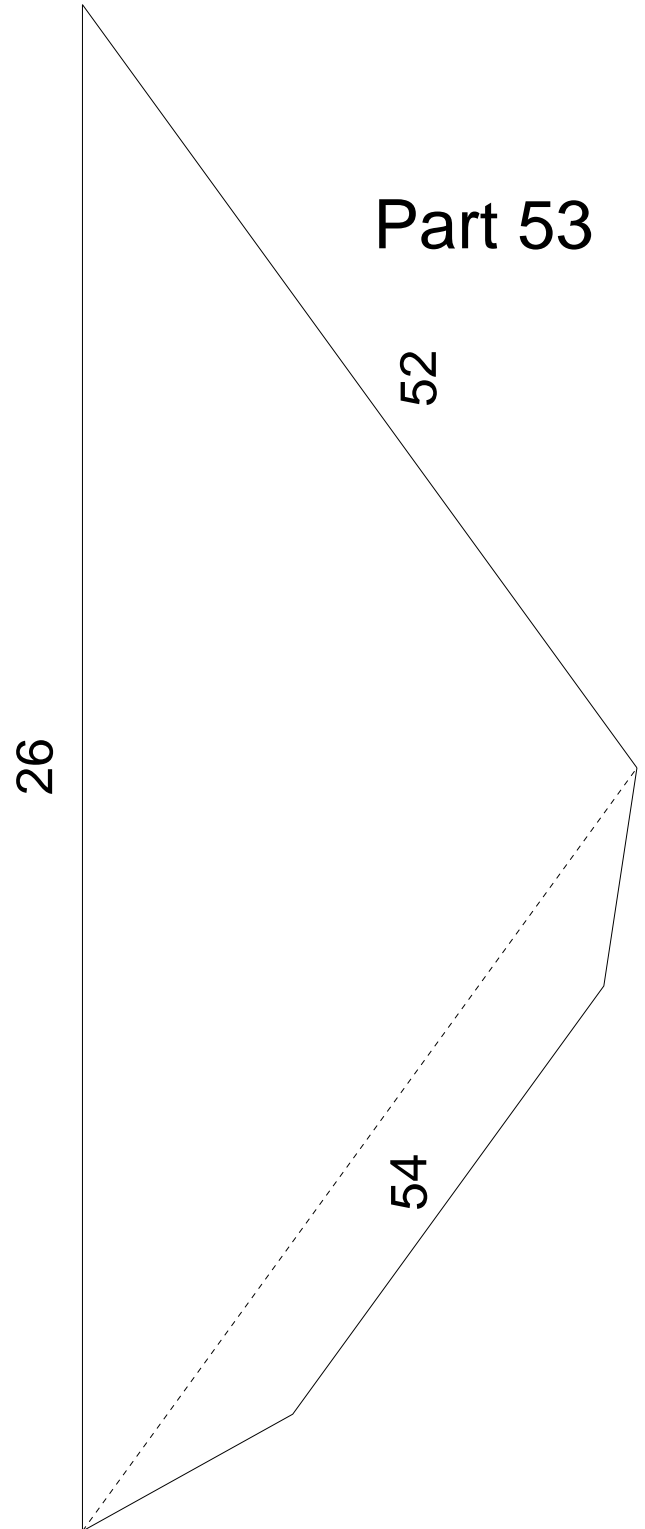
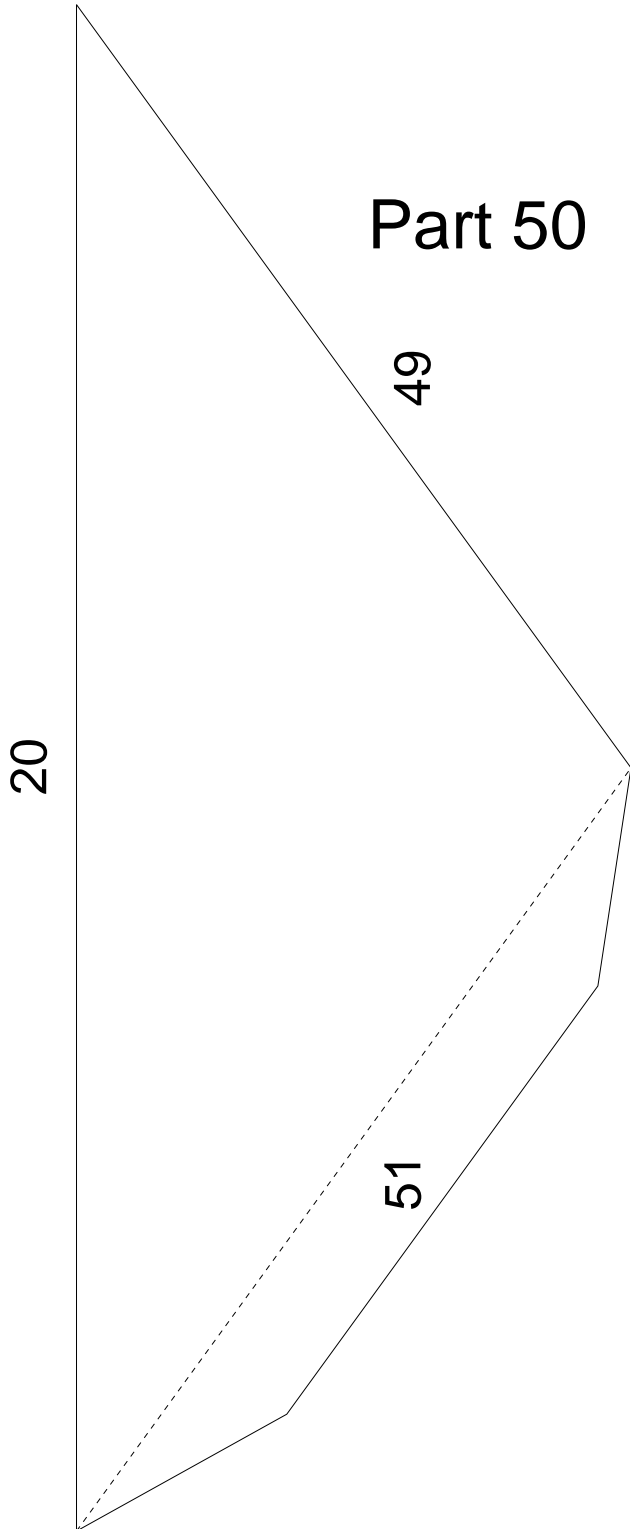
Great Dodecahedron

Color 6



Great Dodecahedron

Color 6



Great Dodecahedron

Color 6

