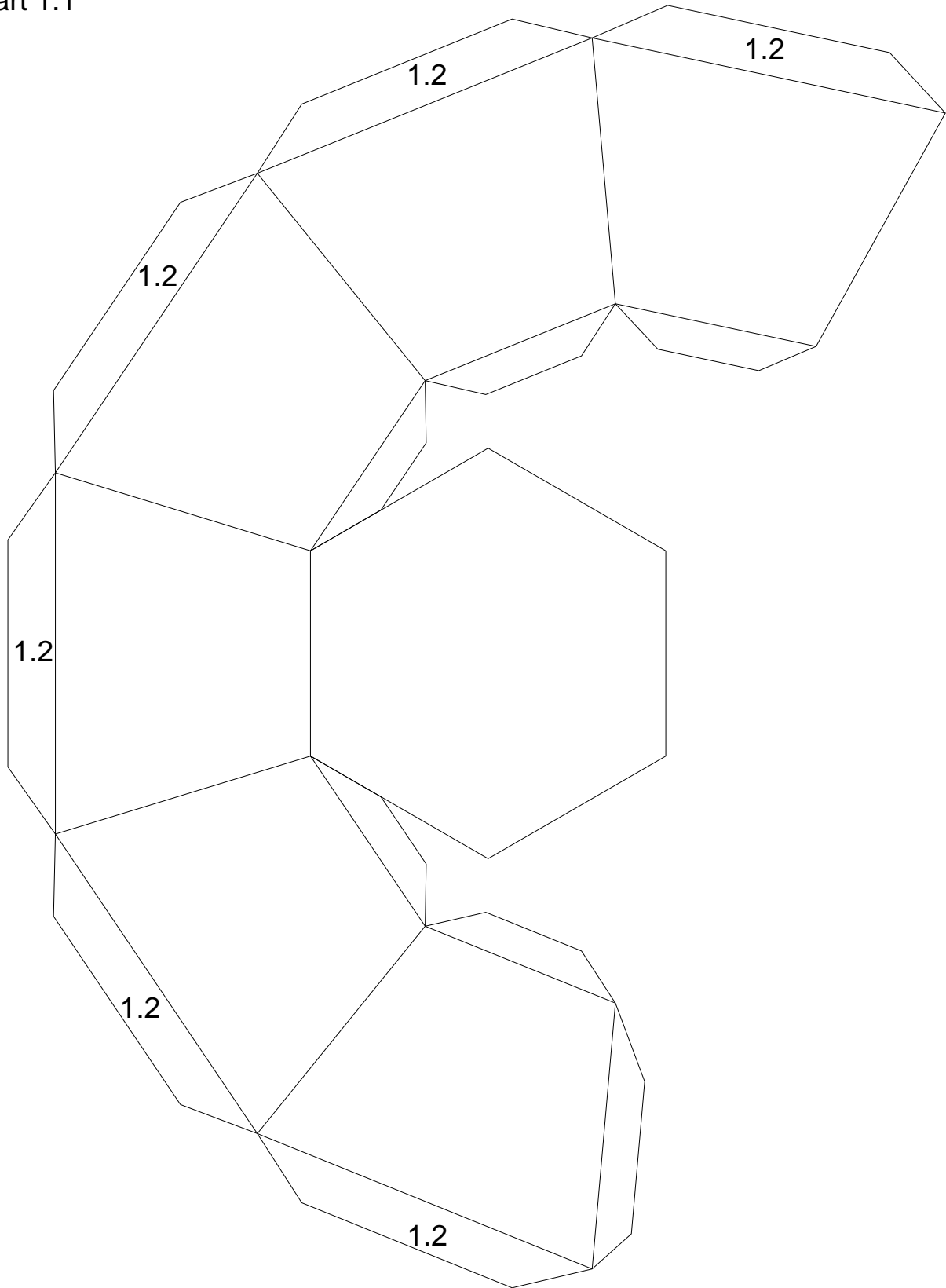


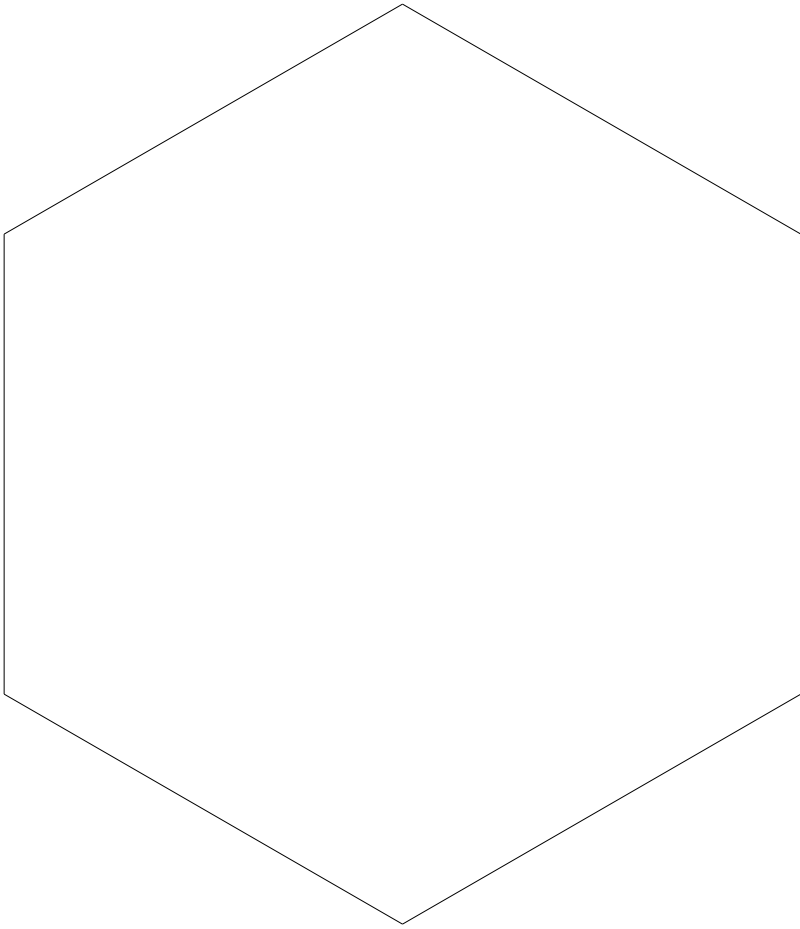
Christmas Tree

Part 1.1



Christmas Tree

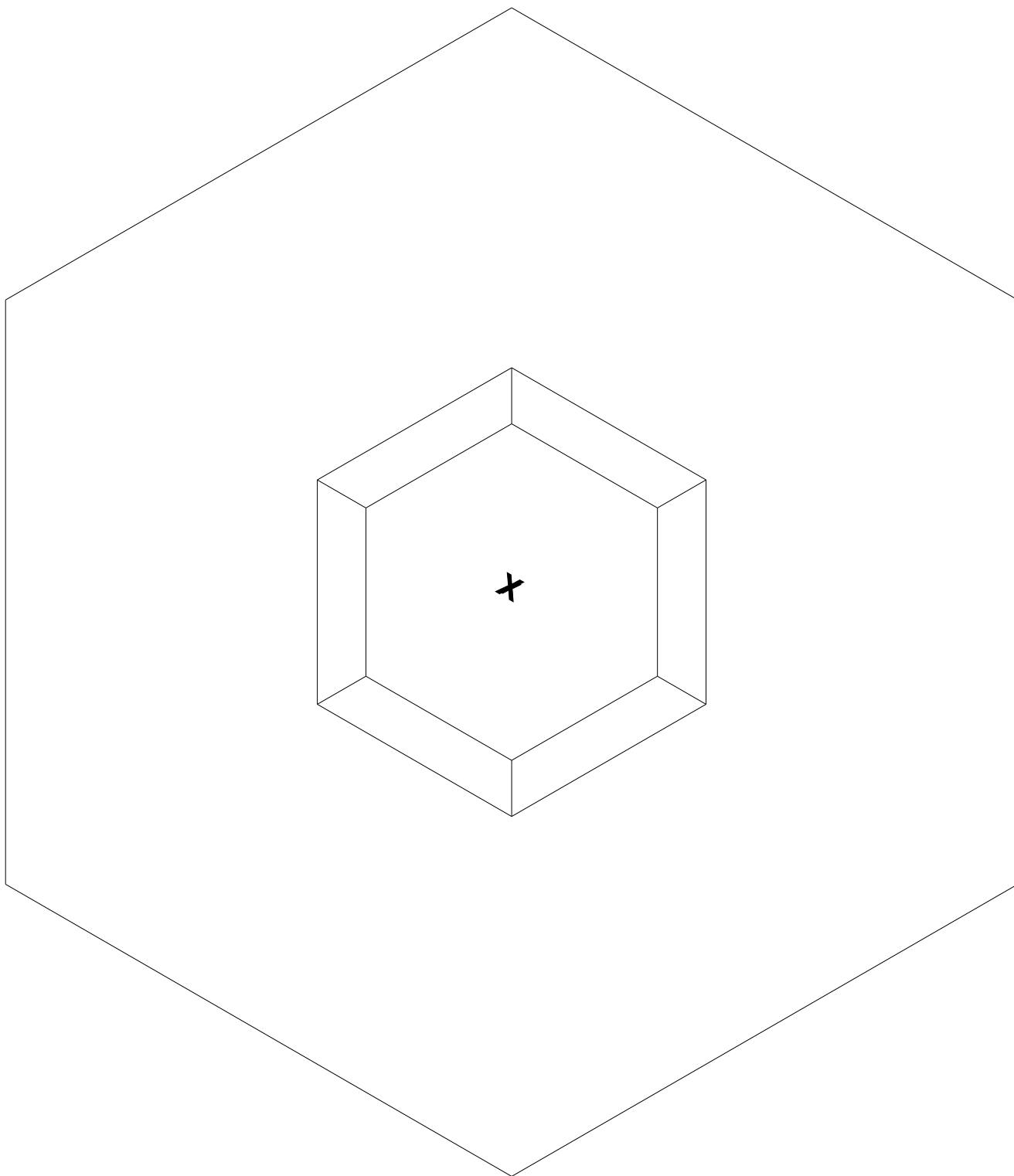
Part 1.2



Christmas Tree

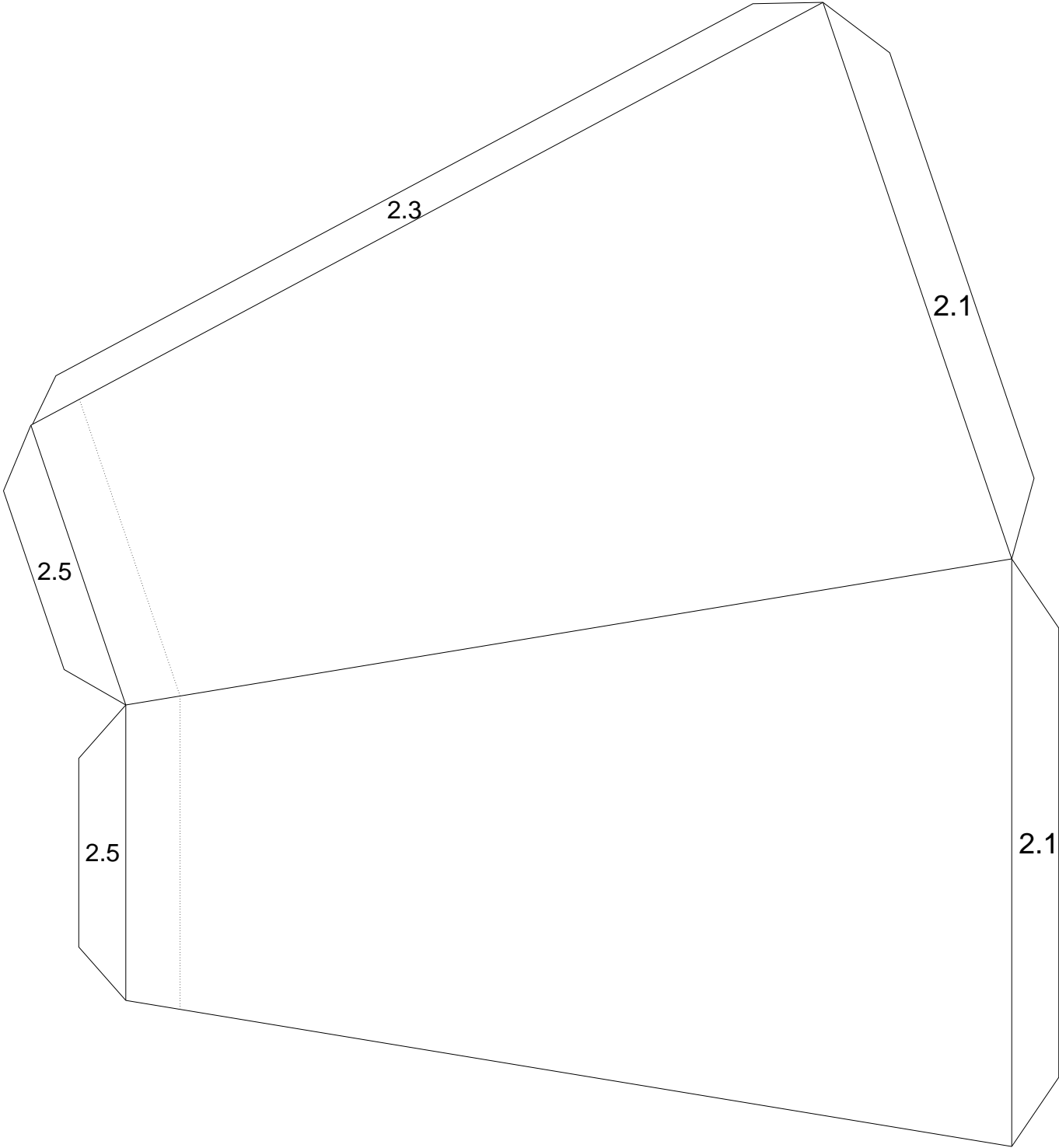
Part 2.1

x: cut out



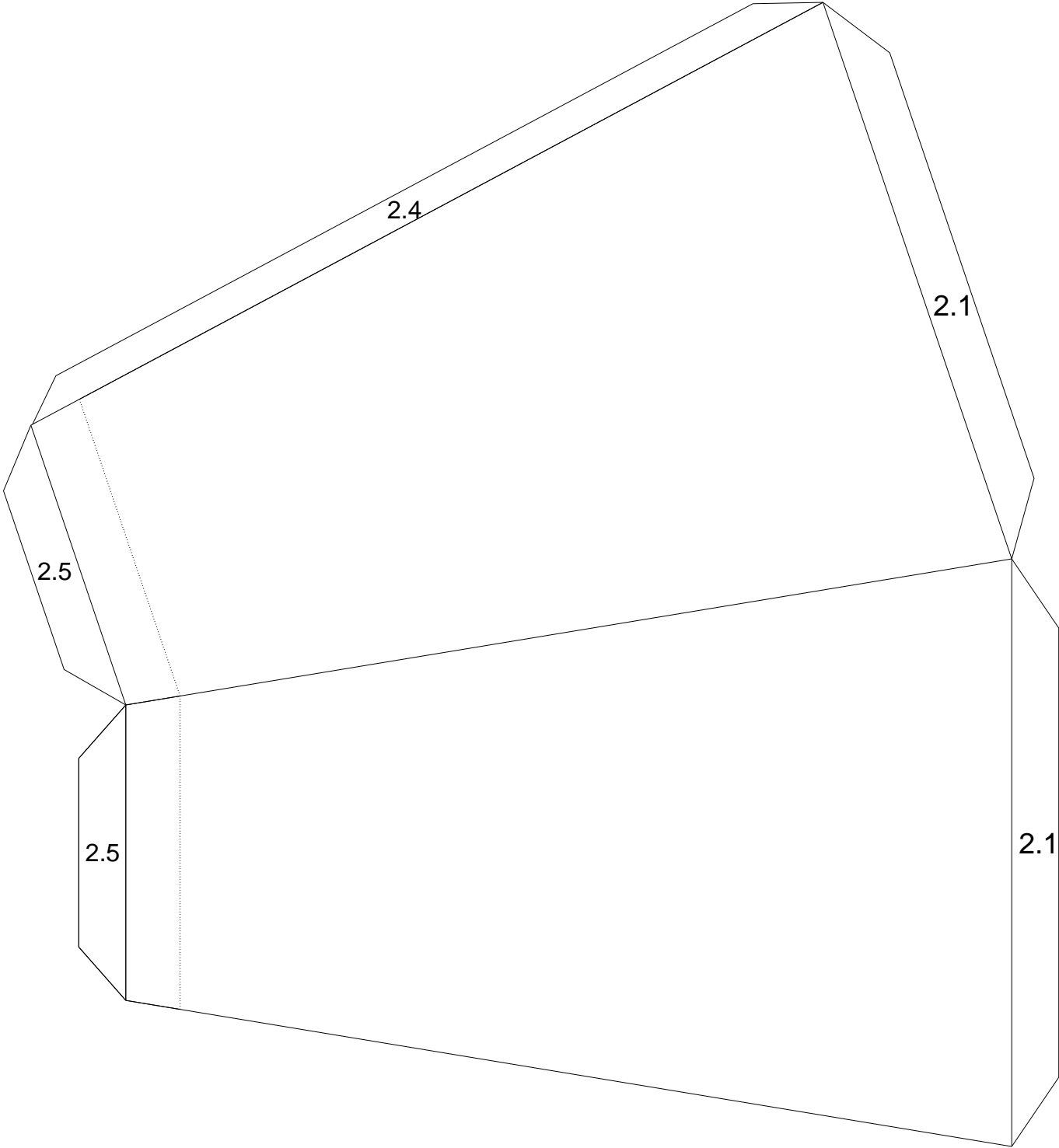
Christmas Tree

Part 2.2



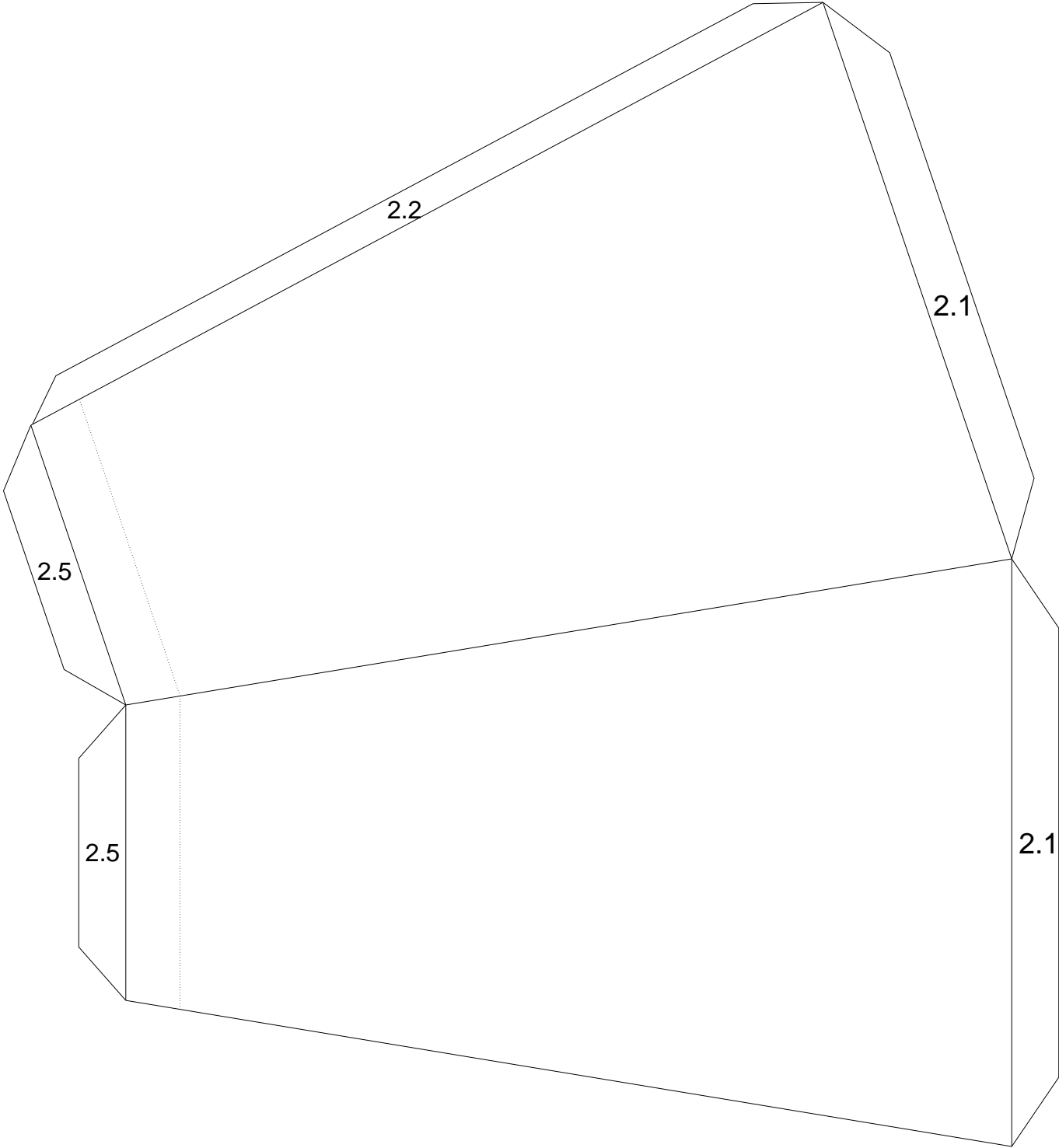
Christmas Tree

Part 2.3



Christmas Tree

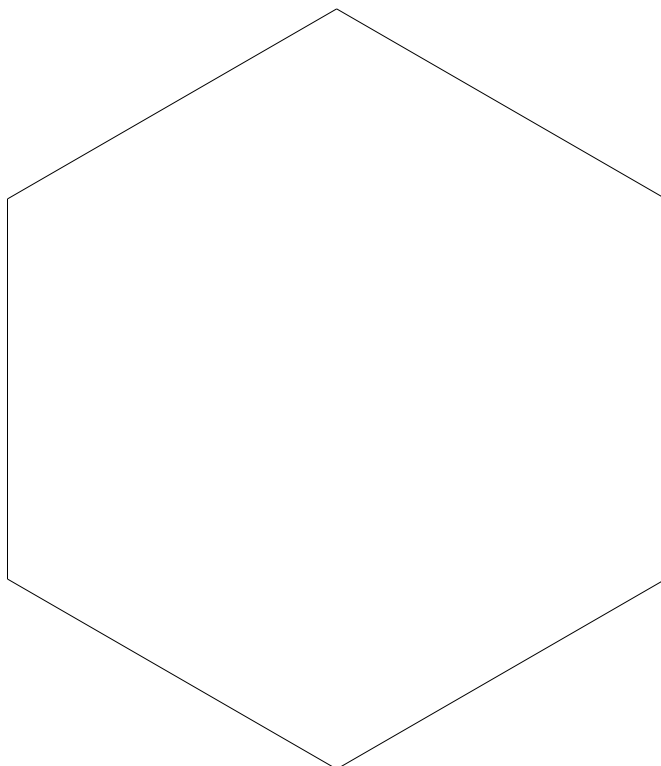
Part 2.4



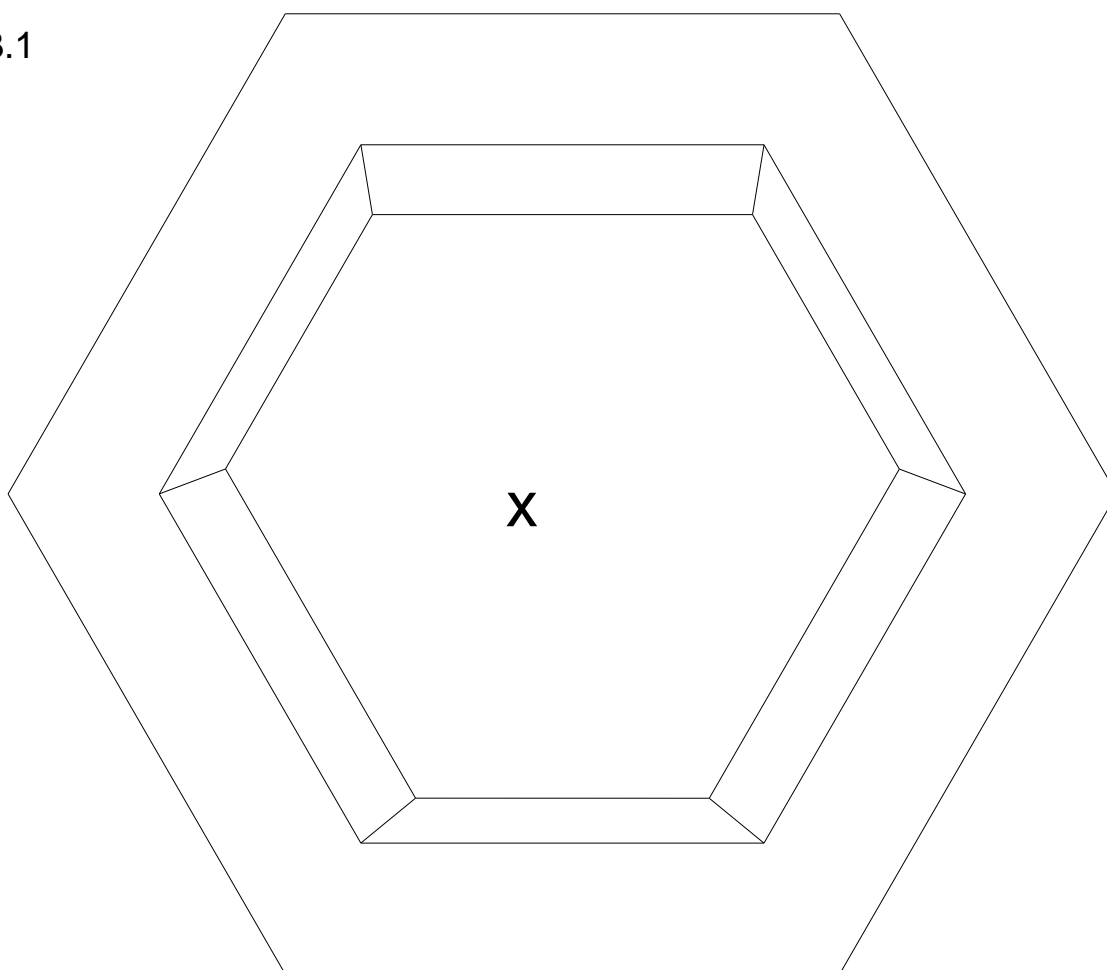
Christmas Tree

Part 2.5

x: cut out

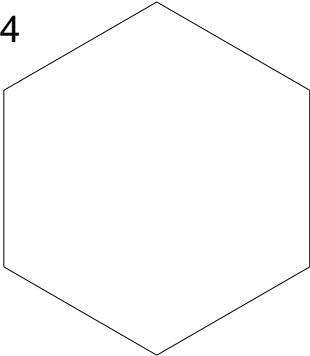


Part 3.1



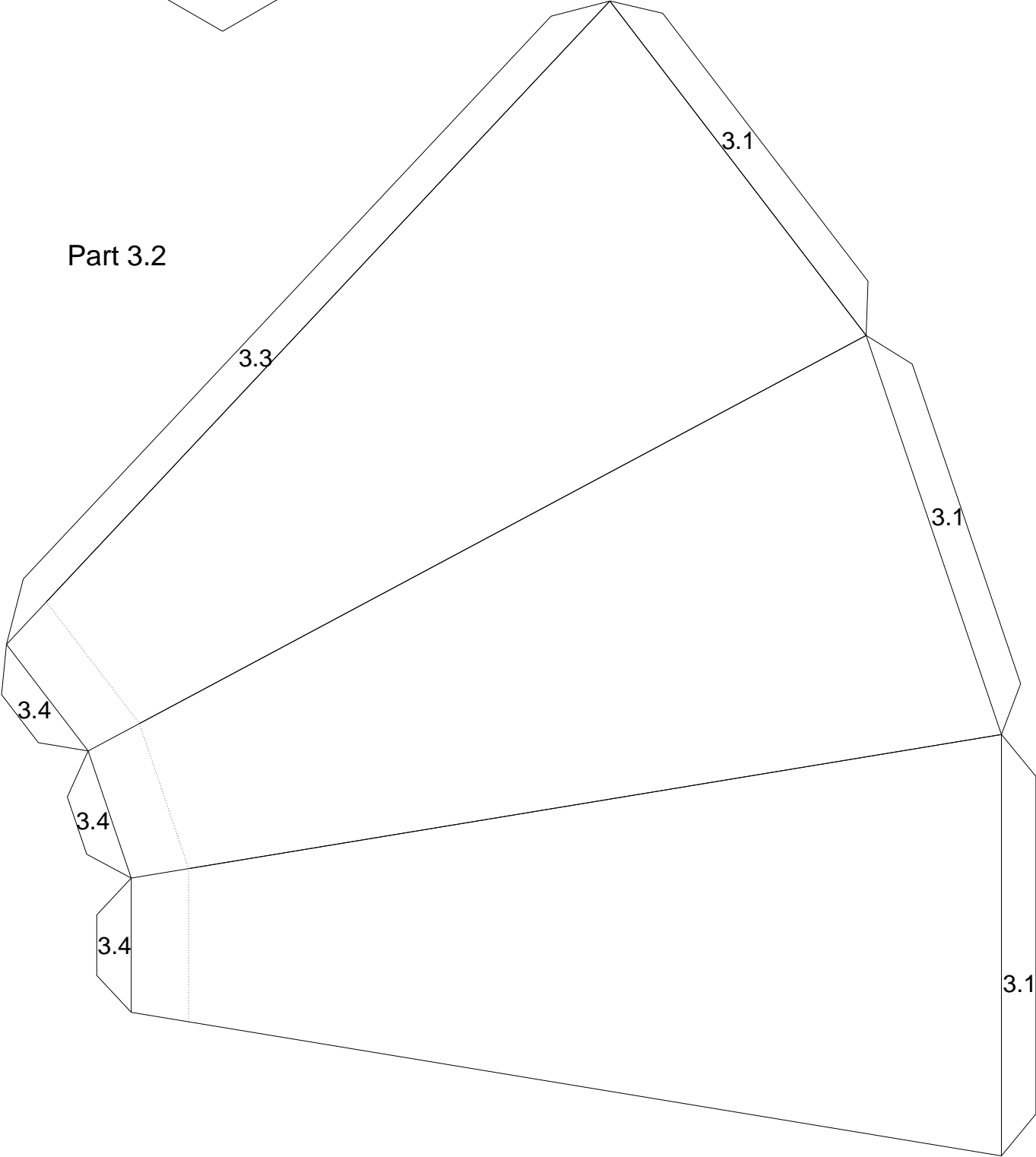
Christmas Tree

Part 3.4



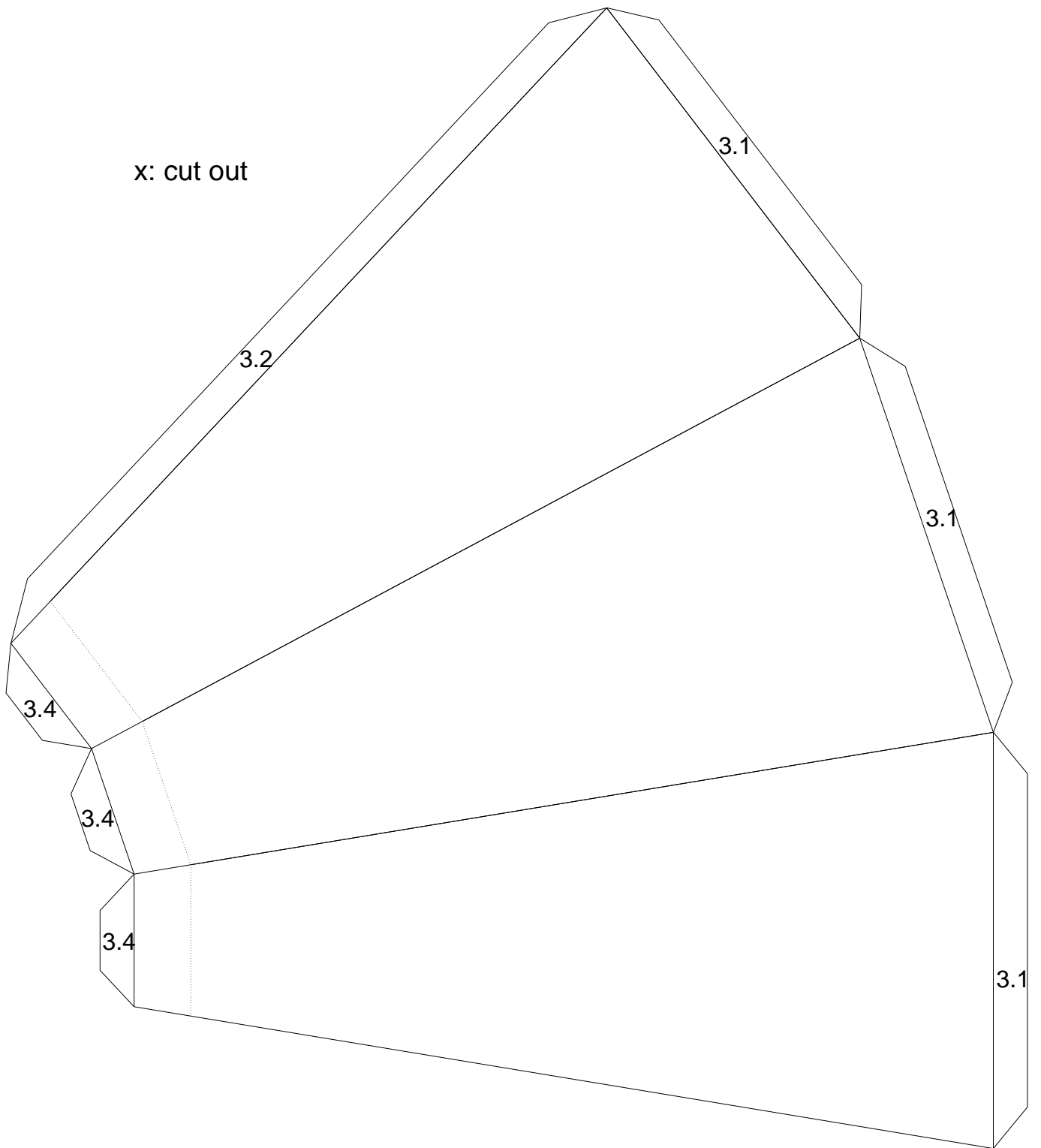
x: cut out

Part 3.2



Christmas Tree

Part 3.3



Christmas Tree

Part 4.1

x: cut out

